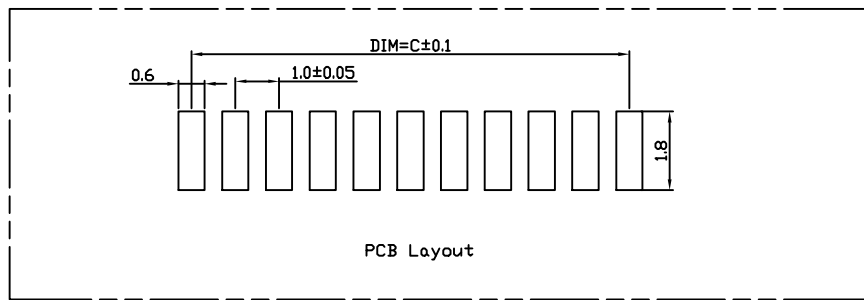


PIN	DIM=A	DIM=B	DIM=C
4P	7.8	3.00	5.1
5P	8.8	4.0	6.1
6P	9.8	5.0	7.1
7P	10.8	6.0	8.1
8P	11.8	7.0	9.1
9P	12.8	8.0	10.1
10P	13.8	9.0	11.1
11P	14.8	10.0	12.1
12P	15.8	11.0	13.1
13P	16.8	12.0	14.1
14P	17.8	13.0	15.1
15P	18.8	14.0	16.1
16P	19.8	15.0	17.1
17P	20.8	16.0	18.1
18P	21.8	17.0	19.1
19P	22.8	18.0	20.1
20P	23.8	19.0	21.1
21P	24.8	20.0	22.1
22P	25.8	21.0	23.1
23P	26.8	22.0	24.1
24P	27.8	23.0	25.1
25P	28.8	24.0	26.1
26P	29.8	25.0	27.1
27P	30.8	26.0	28.1
28P	31.8	27.0	29.1
29P	32.8	28.0	30.1
30P	33.8	29.0	31.1

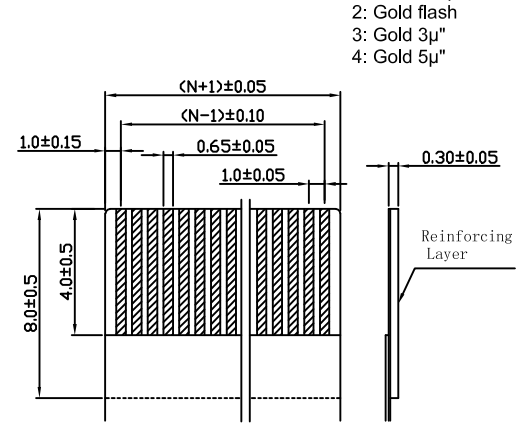
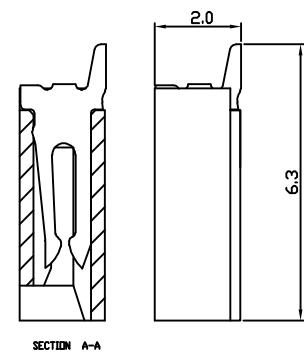
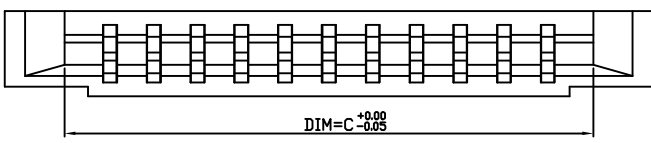
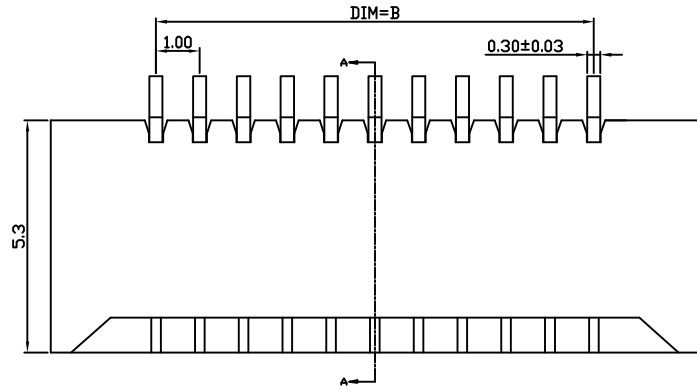
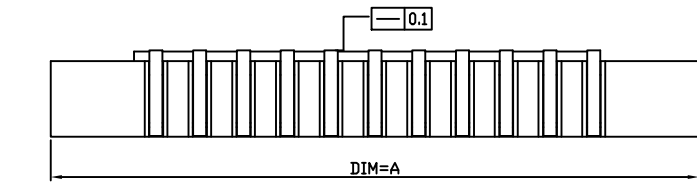


Electrical Characteristics:
 Current rating: 0.4A AC/DC
 Voltage rating: 50V AC/DC
 Temperature range: -25°C ~ +85°C
 Withstand Voltage: 200V AC/Minute
 Contact Resistance: ≤ 20mΩ
 Insulation resistance: ≥ 500mΩ
 Relative Humidity: 93%±40°C

Material Description:
 Terminal: Phosphor Bronze Tin-Leadplated
 Fitting Nail: Brass Tin-plated
 Housing: Thermoplastic(UL94V-0)
 Slider: Thermoplastic(UL94V-0)

NOTES:
 1.PLASTIC BURRS 0.1mm MAX
 2.PART NO. SPECIFICATION:

11-64-XX01-12
 NO. OF CONTACT →
 PACK:
 1:Tape
 2:Reel
 Plating code:
 1: Tin-Leadplated
 2: Gold flash
 3: Gold 3μ"
 4: Gold 5μ"



RECOMMENDED FFC/FPC DIM.

东莞市宽拓电子科技有限公司
Dongguan Kuantuo Electronics Co.,Ltd

SER	AREA	REVISIONS	CHK	DATE

UNLESS OTHERWISE SPECIFIED TOLERANCES ARE
 X.X ±0.15
 X.XX ±0.05
 X.XXX ±0.01
 ANG. ±0° 30'

APPROVED	DATE	PART NO	11-64-XX01-12
CHECKED	DATE	DRAWING NO	JB96*08005
DRAWN	DATE	COMPUTER NO	RD0800501
杨大宽	2008/09/25		
UNIT NUMBER	SCALE	SIZE	NAME
1/1	8:1	A3	FPC 1.0 CONNECTOR H2.0 NON-ZIF FOR SMT(DUAL CONT)
			REV
			A