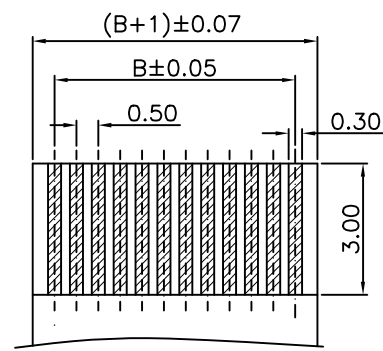
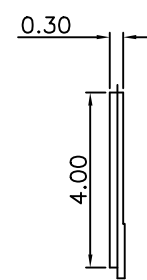
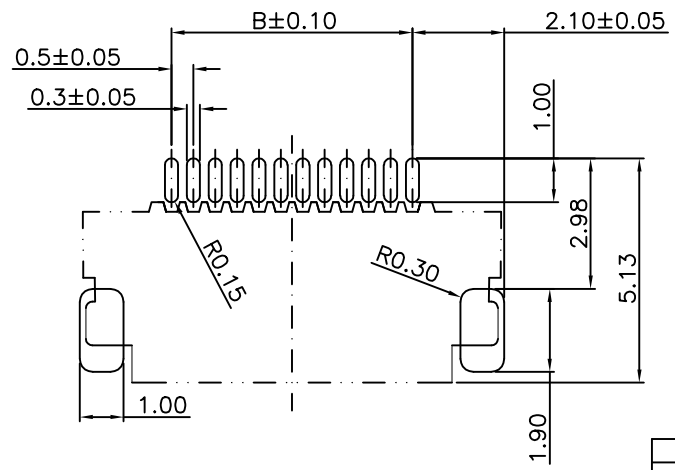
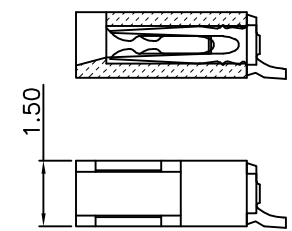
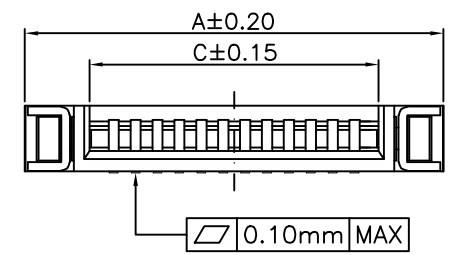
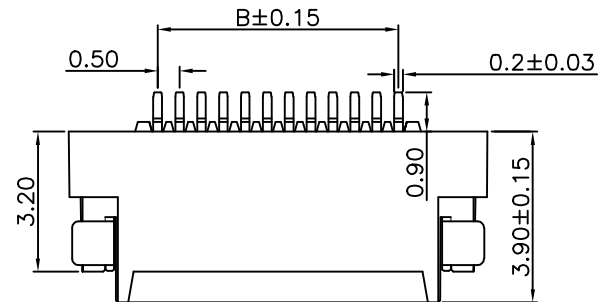


PIN数	DIM=A	DIM=B	DIM=C
4P	5.53	1.5	2.57
5P	6.03	2.0	3.07
6P	6.53	2.5	3.57
7P	7.03	3.0	4.07
8P	7.53	3.5	4.57
9P	8.03	4.0	5.07
10P	8.53	4.5	5.57
11P	9.03	5.0	6.07
12P	9.53	5.5	6.57
13P	10.03	6.0	7.07
14P	10.53	6.5	7.57
15P	11.03	7.0	8.07
16P	11.53	7.5	8.57
17P	12.03	8.0	9.07
18P	12.53	8.5	9.57
19P	13.03	9.0	10.07
20P	13.53	9.5	10.57
21P	14.03	10.0	11.07
22P	14.53	10.5	11.57
23P	15.03	11.0	12.07
24P	15.53	11.5	12.57
25P	16.03	12.0	13.07
26P	16.53	12.5	13.57
27P	17.03	13.0	14.07
28P	17.53	13.5	14.57
29P	18.03	14.0	15.07
30P	18.53	14.5	15.57
31P	19.03	15.0	16.07
32P	19.53	15.5	16.57
33P	20.03	16.0	17.07
34P	20.53	16.5	17.57
35P	21.03	17.0	18.07
36P	21.53	17.5	18.57
37P	22.03	18.0	19.07
38P	22.53	18.5	19.57
39P	23.03	19.0	20.07
40P	23.53	19.5	20.57
41P	24.03	20.0	21.07
42P	24.53	20.5	21.57
43P	25.03	21.0	22.07
44P	25.53	21.5	22.57
45P	26.03	22.0	23.07
46P	26.53	22.5	23.57
47P	27.03	23.0	24.07
48P	27.53	23.5	24.57
49P	28.03	24.0	25.07
50P	28.53	24.5	25.57



APPLICABLE FPC

**Electrical Characteristics:**  
 Current rating: 0.4A AC/DC  
 Voltage rating: 50V AC/DC  
 Temperature range: -25°C ~ +85°C  
 Withstand Voltage: 200V AC/Minute  
 Contact Resistance: ≤ 20mΩ  
 Insulation resistance: ≥ 500mΩ  
 Relative Humidity: 93%+40°C

**Material Description:**  
 Terminal: Phosphor Bronze Tin-Leadplated  
 Fitting Nail: Brass Tin-plated  
 Housing: Thermoplastic(UL94V-0)  
 Slider: Thermoplastic(UL94V-0)

**NOTES:**  
 1.PLASTIC BURRS 0.1mm MAX  
 2.PART NO. SPECIFICATION:

11-62-XX01-12  
 NO. OF CONTACT  
 PACK:  
 1:Tape  
 2:Reel  
 Plating code:  
 1: Tin-Leadplated  
 2: Gold flash  
 3: Gold 3μ"  
 4: Gold 5μ"

RECOMMENDED P.C.B LAYOUT

SER	AREA	REVISIONS	CHK	DATE

UNLESS OTHERWISE SPECIFIED TOLERANCES ARE  
 X.X ±0.15  
 X.XX ±0.05  
 X.XXX ±0.02  
 ANG. ±0° 30'

**东莞市宽拓电子科技有限公司**  
**Dongguan Kuantuo Electronics Co.,Ltd**

APPROVED	DATE	PART NO	11-62-XX01-12
CHECKED	DATE	DRAWING NO	JB96*08005
DRAWN	DATE	COMPUTER NO	RD0800501
杨大宽	2008/09/25		
UNIT NUMBER	SCALE	SIZE	NAME
1/1	8:1	A3	FPC 0.5 CONNECTOR H1.5 NON-ZIF FOR SMT(DUAL CONT)
			REV
			A