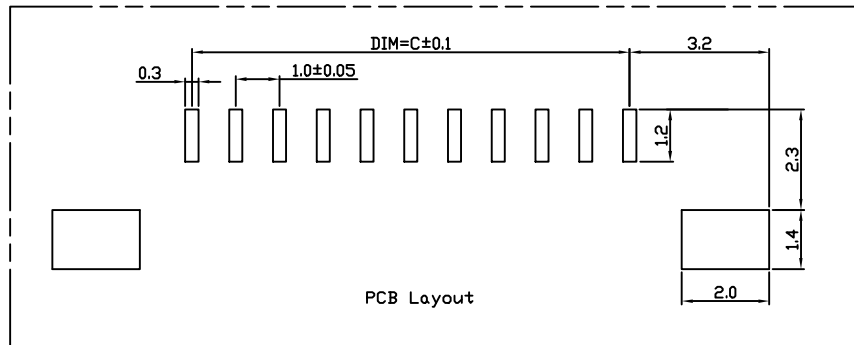


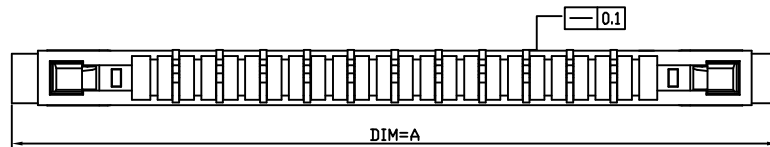
PIN数	DIM=A	DIM=B	DIM=C	DIM=D
4P	10.5	9.3	3.00	5.1
5P	11.5	10.3	4.0	6.1
6P	12.5	11.3	5.0	7.1
7P	13.5	12.3	6.0	8.1
8P	14.5	13.3	7.0	9.1
9P	15.5	14.3	8.0	10.1
10P	16.5	15.3	9.0	11.1
11P	17.5	16.3	10.0	12.1
12P	18.5	17.3	11.0	13.1
13P	19.5	18.3	12.0	14.1
14P	20.5	19.3	13.0	15.1
15P	21.5	20.3	14.0	16.1
16P	22.5	21.3	15.0	17.1
17P	23.5	22.3	16.0	18.1
18P	24.5	23.3	17.0	19.1
19P	25.5	24.3	18.0	20.1
20P	26.5	25.3	19.0	21.1
21P	27.5	26.3	20.0	22.1
22P	28.5	27.3	21.0	23.1
23P	29.5	28.3	22.0	24.1
24P	30.5	29.3	23.0	25.1
25P	31.5	30.3	24.0	26.1
26P	32.5	31.3	25.0	27.1
27P	33.5	32.3	26.0	28.1
28P	34.5	33.3	27.0	29.1
29P	35.5	34.3	28.0	30.1
30P	36.5	35.3	29.0	31.1



Electrical Characteristics:
 Current rating: 0.4A AC/DC
 Voltage rating: 50V AC/DC
 Temperature range: -25°C ~ +85°C
 Withstand Voltage: 200V AC/Minute
 Contact Resistance: ≤ 20mΩ
 Insulation resistance: ≥ 500mΩ
 Relative Humidity: 93%+40°C

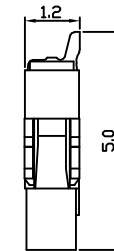
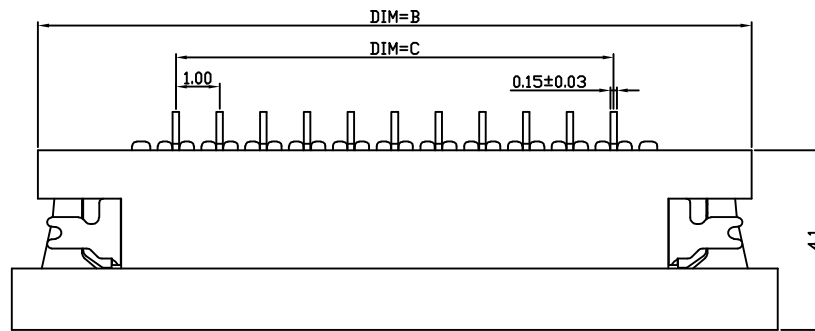
Material Description:
 Terminal: Phosphor Bronze Tin-Leadplated
 Fitting Nail: Brass Tin-plated
 Housing: Thermoplastic(UL94V-0)
 Slider: Thermoplastic(UL94V-0)

NOTES:
 1. PLASTIC BURRS 0.1mm MAX
 2. PART NO. SPECIFICATION:

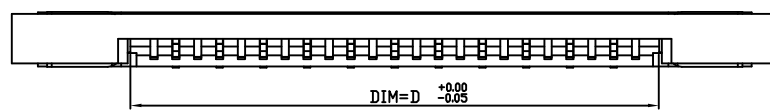
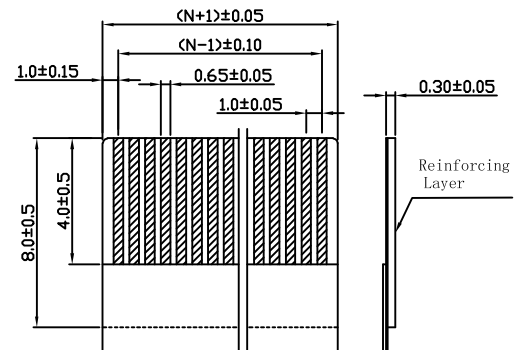


11-47-XX01-12

PACK:
 1: Tape
 2: Reel
 Plating code:
 1: Tin-Leadplated
 2: Gold flash
 3: Gold 3μ"
 4: Gold 5μ"



NO. OF CONTACT



RECOMMENDED FFC/FPC DIM.

东莞市宽拓电子科技有限公司
Dongguan Kuantuo Electronics Co., Ltd

SER	AREA	REVISIONS	CHK	DATE

UNLESS OTHERWISE SPECIFIED
 TOLERANCES ARE
 X.X ±0.15
 X.XX ±0.05
 X.XXX
 ANG. ±0° 30'

APPROVED	DATE	PART NO	11-47-XX01-12
CHECKED	DATE	DRAWING NO	JB96*08005
DRAWN	DATE	COMPUTER NO	RD0800501
杨大宽	2008/09/25		
NUMBER	SCALE	NAME	FPC 1.0 CONNECTOR H1.2
1/1	8:1	SIZE	ZIF FOR SMT(SLIDE BOTTOM CONT)
		REV	A