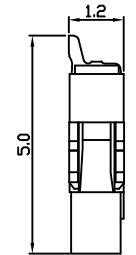
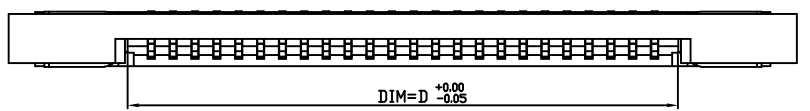
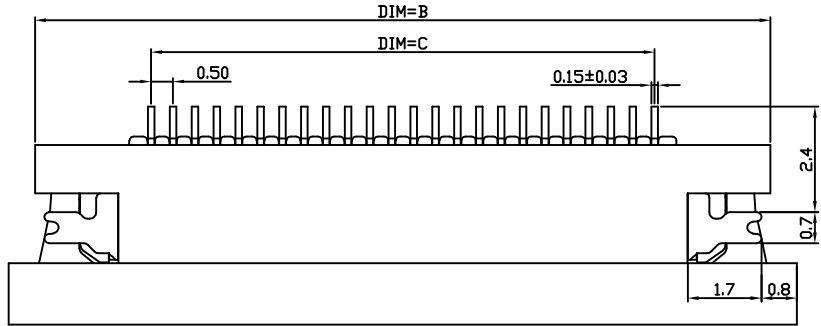
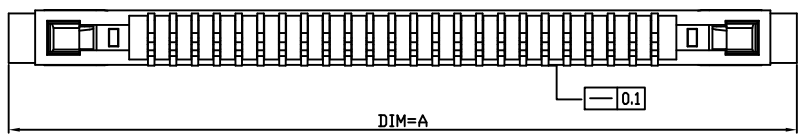
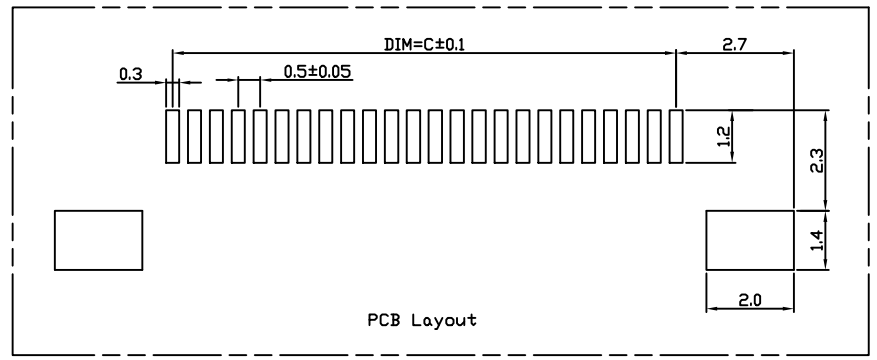


PIN数	DIM=A	DIM=B	DIM=C	DIM=D
4P	8.0	6.8	1.50	2.6
5P	8.5	7.3	2.00	3.1
6P	9.0	7.8	2.50	3.6
7P	9.5	8.3	3.00	4.1
8P	10.0	8.8	3.50	4.6
9P	10.5	9.3	4.00	5.1
10P	11.0	9.8	4.50	5.6
11P	11.5	10.3	5.00	6.1
12P	12.0	10.8	5.50	6.6
13P	12.5	11.3	6.00	7.1
14P	13.0	11.8	6.50	7.6
15P	13.5	12.3	7.00	8.1
16P	14.0	12.8	7.50	8.6
17P	14.5	13.3	8.00	9.1
18P	15.0	13.8	8.50	9.6
19P	15.5	14.3	9.00	10.1
20P	16.0	14.8	9.50	10.6
21P	16.5	15.3	10.00	11.1
22P	17.0	15.8	10.50	11.6
23P	17.5	16.3	11.00	12.1
24P	18.0	16.8	11.50	12.6
25P	18.5	17.3	12.00	13.1
26P	19.0	17.8	12.50	13.6
27P	19.5	18.3	13.00	14.1
28P	20.0	18.8	13.50	14.6
29P	20.5	19.3	14.00	15.1
30P	21.0	19.8	14.50	15.6
31P	21.5	20.3	15.00	16.1
32P	22.0	20.8	15.50	16.6
33P	22.5	21.3	16.00	17.1
34P	23.0	21.8	16.50	17.6
35P	23.5	22.3	17.00	18.1
36P	24.0	22.8	17.50	18.6
37P	24.5	23.3	18.00	19.1
38P	25.0	23.8	18.50	19.6
39P	25.5	24.3	19.00	20.1
40P	26.0	24.8	19.50	20.6
41P	26.5	25.3	20.00	21.1
42P	27.0	25.8	20.50	21.6
43P	27.5	26.3	21.00	22.1
44P	28.0	26.8	21.50	22.6
45P	28.5	27.3	22.00	23.1
46P	29.0	27.8	22.50	23.6
47P	29.5	28.3	23.00	24.1
48P	30.0	28.8	23.50	24.6
49P	30.5	29.3	24.00	25.1
50P	31.0	29.8	24.50	25.6
51P	31.5	30.3	25.00	26.1
52P	32.0	30.8	25.50	26.6
53P	32.5	31.3	26.00	27.1
54P	33.0	31.8	26.50	27.6
55P	33.5	32.3	27.00	28.1
56P	34.0	32.8	27.50	28.6
57P	34.5	33.3	28.00	29.1
58P	35.0	33.8	28.50	29.6
59P	35.5	34.3	29.00	30.1
60P	36.0	34.8	29.50	30.6

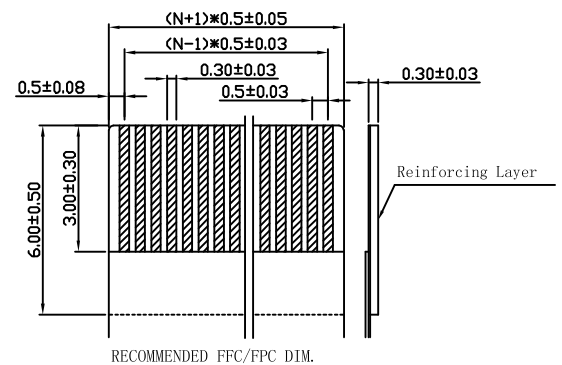


**Electrical Characteristics:**  
 Current rating: 0.4A AC/DC  
 Voltage rating: 50V AC/DC  
 Temperature range: -25°C ~ +85°C  
 Withstand Voltage: 200V AC/Minute  
 Contact Resistance: ≤ 20mΩ  
 Insulation resistance: ≥ 500mΩ  
 Relative Humidity: 93%+40°C

**Material Description:**  
 Terminal: Phosphor Bronze Tin-Leadplated  
 Fitting Nail: Brass Tin-plated  
 Housing: Thermoplastic(UL94V-0)  
 Slider: Thermoplastic(UL94V-0)

**NOTES:**  
 1. PLASTIC BURRS 0.1mm MAX  
 2. PART NO. SPECIFICATION:

11-42-XX01-12  
 NO. OF CONTACT  
 PACK:  
 1:Tape  
 2:Reel  
 Plating code:  
 1: Tin-Leadplated  
 2: Gold flash  
 3: Gold 3μ"  
 4: Gold 5μ"



**东莞市宽拓电子科技有限公司**  
**Dongguan Kuantuo Electronics Co.,Ltd**

SER	AREA	REVISIONS	CHK	DATE	UNIT	MM

UNLESS OTHERWISE SPECIFIED TOLERANCES ARE		APPROVED	DATE	PART NO
X.X	±0.15			11-42-XX01-12
X.XX	±0.05	CHECKED	DATE	DRAWING NO
X.XXX				JB96*08005
ANG.	±0° 30'	DRAWN	DATE	COMPUTER NO
		杨大宽	2008/09/25	RD0800501
		NUMBER	SCALE	NAME
		1/1	8:1	FPC 0.5 CONNECTOR H1.2
			SIZE	ZIF FOR SMT(SLIDE UPPER CONT)
			A3	REV
				A