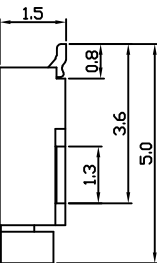
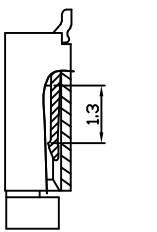
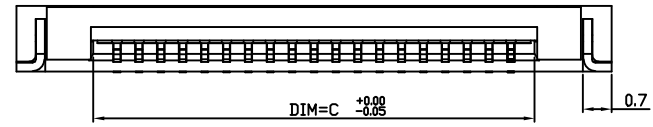
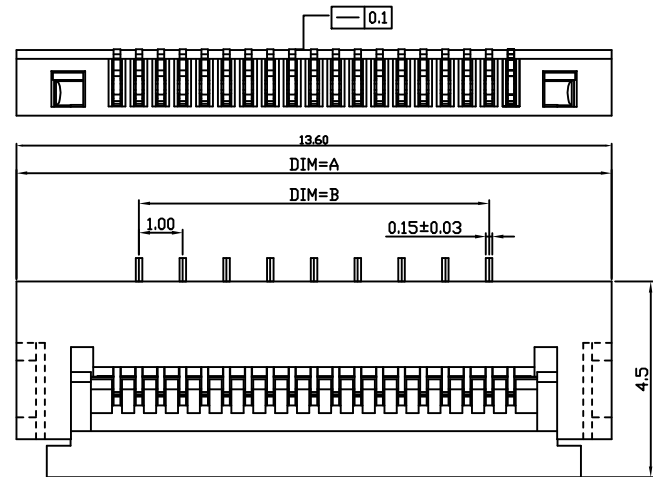


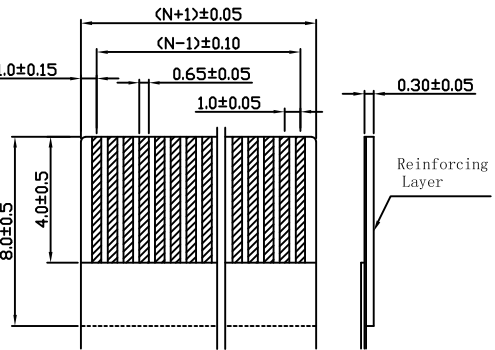
PCB Layout



Electrical Characteristics:
 Current rating: 0.4A AC/DC
 Voltage rating: 50V AC/DC
 Temperature range: -25°C ~ +85°C
 Withstand Voltage: 200V AC/Minute
 Contact Resistance: ≤ 20mΩ
 Insulation resistance: ≥ 500mΩ
 Relative Humidity: 93%+40°C

Material Description:
 Terminal: Phosphor Bronze Tin-Leadplated
 Fitting Nail: Brass Tin-plated
 Housing: Thermoplastic(UL94V-0)
 Slider: Thermoplastic(UL94V-0)

NOTES:
 1. PLASTIC BURRS 0.1mm MAX
 2. PART NO. SPECIFICATION:
 11-33-XX01-12
 PACK:
 1:Tape
 2:Reel
 Plating code:
 1: Tin-Leadplated
 2: Gold flash
 3: Gold 3μ"
 4: Gold 5μ"



RECOMMENDED FFC/FPC DIM.

PIN数	DIM=A	DIM=B	DIM=C
4	8.6	3.00	5.10
5	9.6	4.00	6.10
6	10.6	5.00	7.10
7	11.6	6.00	8.10
8	12.6	7.00	9.10
9	13.6	8.00	10.10
10	14.6	9.00	11.10
11	15.6	10.00	12.10
12	16.6	11.00	13.10
13	17.6	12.00	14.10
14	18.6	13.00	15.10
15	19.6	14.00	16.10
16	20.6	15.00	17.10
17	21.6	16.00	18.10
18	22.6	17.00	19.10
19	23.6	18.00	20.10
20	24.6	19.00	21.10
21	25.6	20.00	22.10
22	26.6	21.00	23.10
23	27.6	22.00	24.10
24	28.6	23.00	25.10
25	29.6	24.00	26.10
26	30.6	25.00	27.10
27	31.6	26.00	28.10
28	32.6	27.00	29.10
29	33.6	28.00	30.10
30	34.6	29.00	31.10

东莞市宽拓电子科技有限公司
 Dongguan Kuantuo Electronics Co., Ltd

UNLESS OTHERWISE SPECIFIED TOLERANCES ARE X.X ±0.15 X.XX ±0.05 X.XXX ANG. ±0° 30'	APPROVED	DATE	PART NO	11-33-XX01-12
	CHECKED	DATE	DRAWING NO	JB96*08005
	DRAWN	DATE	COMPUTER NO	RD0800501
	杨大宽	2008/09/25		
UNIT	NUMBER	SCALE	SIZE	NAME
MM	1/1	8:1	A3	FPC 1.0 CONNECTOR H1.5 ZIF FOR SMT(FLIP BOTTOMN CONT)
SER	AREA	REVISIONS	CHK	DATE