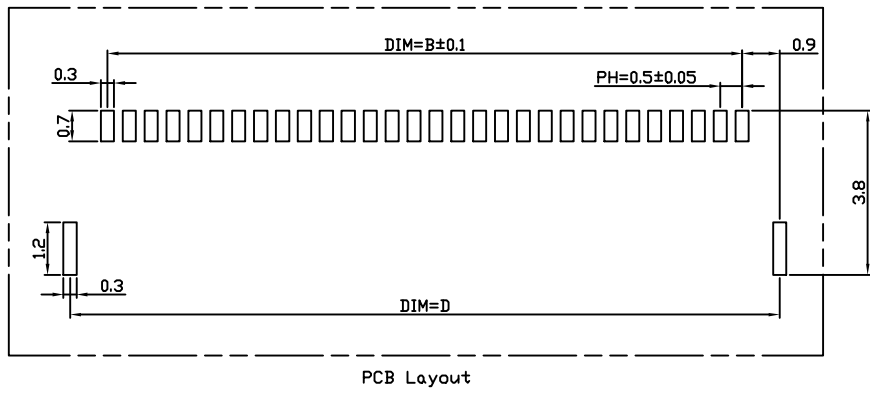
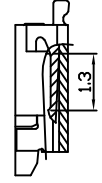
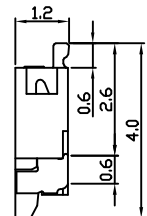
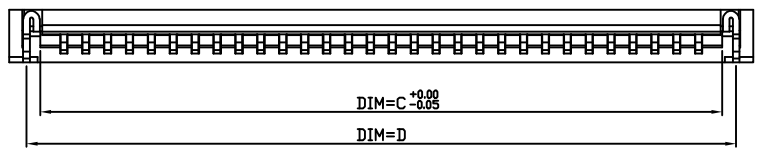
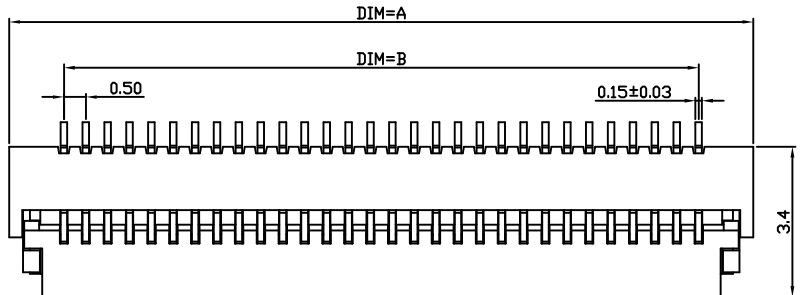


	1	2	3	4	5	6	7	8	9	10
	PIN数	DIM=A	DIM=B	DIM=C	DIM=D					
J	4P	4.0	1.50	2.6	3.2					
	5P	4.5	2.00	3.1	3.7					
	6P	5.0	2.50	3.6	4.2					
	7P	5.5	3.00	4.1	4.7					
I	8P	6.0	3.50	4.6	5.2					
	9P	6.5	4.00	5.1	5.7					
	10P	7.0	4.50	5.6	6.2					
	11P	7.5	5.00	6.1	6.7					
	12P	8.0	5.50	6.6	7.2					
	13P	8.5	6.00	7.1	7.7					
	14P	9.0	6.50	7.6	8.2					
H	15P	9.5	7.00	8.1	8.7					
	16P	10.0	7.50	8.6	9.2					
	17P	10.5	8.00	9.1	9.7					
	18P	11.0	8.50	9.6	10.2					
	19P	11.5	9.00	10.1	10.7					
	20P	12.0	9.50	10.6	11.2					
	21P	12.5	10.00	11.1	11.7					
G	22P	13.0	10.50	11.6	12.2					
	23P	13.5	11.00	12.1	12.7					
	24P	14.0	11.50	12.6	13.2					
	25P	14.5	12.00	13.1	13.7					
	26P	15.0	12.50	13.6	14.2					
F	27P	15.5	13.00	14.1	14.7					
	28P	16.0	13.50	14.6	15.2					
	29P	16.5	14.00	15.1	15.7					
	30P	17.0	14.50	15.6	16.2					
	31P	17.5	15.00	16.1	16.7					
E	32P	18.0	15.50	16.6	17.2					
	33P	18.5	16.00	17.1	17.7					
	34P	19.0	16.50	17.6	18.2					
	35P	19.5	17.00	18.1	18.7					
	36P	20.0	17.50	18.6	19.2					
	37P	20.5	18.00	19.1	19.7					
	38P	21.0	18.50	19.6	20.2					
	39P	21.5	19.00	20.1	20.7					
D	40P	22.0	19.50	20.6	21.2					
	41P	22.5	20.00	21.1	21.7					
	42P	23.0	20.50	21.6	22.2					
	43P	23.5	21.00	22.1	22.7					
	44P	24.0	21.50	22.6	23.2					
	45P	24.5	22.00	23.1	23.7					
C	46P	25.0	22.50	23.6	24.2					
	47P	25.5	23.00	24.1	24.7					
	48P	26.0	23.50	24.6	25.2					
	49P	26.5	24.00	25.1	25.7					
	50P	27.0	24.50	25.6	26.2					
	51P	27.5	25.00	26.1	26.7					
B	52P	28.0	25.50	26.6	27.2					
	53P	28.5	26.00	27.1	27.7					
	54P	29.0	26.50	27.6	28.2					
	55P	29.5	27.00	28.1	28.7					
	56P	30.0	27.50	28.6	29.2					
	57P	30.5	28.00	29.1	29.7					
	58P	31.0	28.50	29.6	30.2					
A	59P	31.5	29.00	30.1	30.7					
	60P	32.0	29.50	30.6	31.2					



PCB Layout

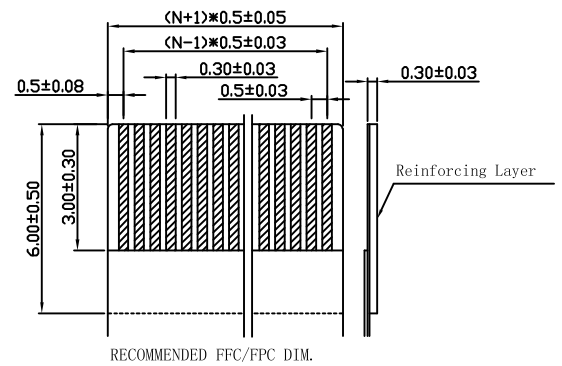


Electrical Characteristics:
 Current rating: 0.4A AC/DC
 Voltage rating: 50V AC/DC
 Temperature range: -25°C ~ +85°C
 Withstand Voltage: 200V AC/Minute
 Contact Resistance: ≤ 20mΩ
 Insulation resistance: ≥ 500mΩ
 Relative Humidity: 93%+40°C

Material Description:
 Terminal: Phosphor Bronze Tin-Leadplated
 Fitting Nail: Brass Tin-plated
 Housing: Thermoplastic(UL94V-0)
 Slider: Thermoplastic(UL94V-0)

NOTES:
 1. PLASTIC BURRS 0.1mm MAX
 2. PART NO. SPECIFICATION:

11-30-XX01-12
 NO. OF CONTACT
 PACK:
 1: Tape
 2: Reel
 Plating code:
 1: Tin-Leadplated
 2: Gold flash
 3: Gold 3μ"
 4: Gold 5μ"



RECOMMENDED FFC/FPC DIM.

东莞市宽拓电子科技有限公司
Dongguan Kuantuo Electronics Co., Ltd

						UNLESS OTHERWISE SPECIFIED TOLERANCES ARE X.X ±0.15 X.XX ±0.05 X.XXX ANG. ±0° 30'
△	SER	AREA	REVISIONS	CHK	DATE	UNIT MM

APPROVED	DATE	PART NO	11-30-XX01-12
CHECKED	DATE	DRAWING NO	JB96*08005
DRAWN	DATE	COMPUTER NO	RD0800501
NUMBER	SCALE	SIZE	NAME
1/1	8:1	A3	FFC 0.5 CONNECTOR H1.2 ZIF FOR SMT (FLIP BOTTOM CONT)
			REV
			A