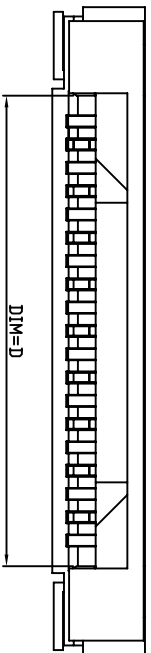
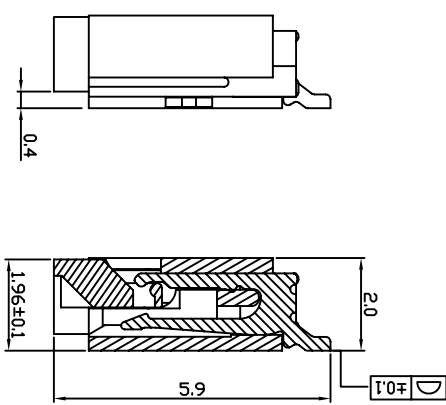
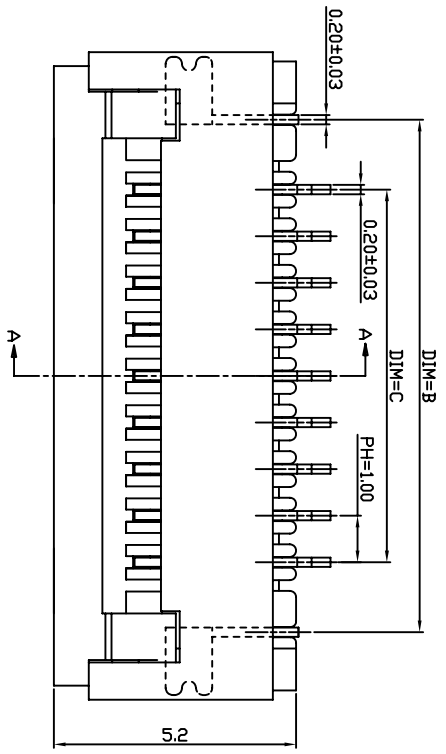
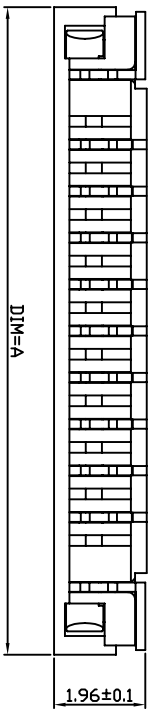


Electrical Characteristics:
 Current rating: 0.5A AC/DC
 Voltage rating: 50V AC/DC
 Temperature range: -40°C~+85°C
 Withstand Voltage: 500V AC/Minute
 Contact Resistance: $\leq 20m\Omega$
 Insulation resistance: $\geq 800m\Omega$
 Relative Humidity: 93%+40°C

Material Description:
 Contact: Phosphor Bronze Tin-Leadplated
 Solder Tab: Phosphor Bronze Tin-plated
 Housing: Thermoplastic(UL94V-0)
 Slider: Thermoplastic(UL94V-0)



NOTES:
 1. PLASTIC BURRS 0.1mm MAX
 2. PART NO. SPECIFICATION: 11-29-XX01-12
 29: BOTTOM CONTACT
 NO. OF CONTACT CODE

PACK:
 1: Tape
 2: Reel
Plating code:
 1: Tin Leadplated
 2: Gold flash
 3: Gold 3μ
 4: Gold 4μ

PIN#	DIM=A	DIM=B	DIM=C	DIM=D
30P	34.9	32.00	29.00	31.10
29P	33.9	31.00	28.00	30.10
28P	32.9	30.00	27.00	29.10
27P	31.9	29.00	26.00	28.10
26P	30.9	28.00	25.00	27.10
25P	29.9	27.00	24.00	26.10
24P	28.9	26.00	23.00	25.10
23P	27.9	25.00	22.00	24.10
22P	26.9	24.00	21.00	23.10
21P	25.9	23.00	20.00	22.10
20P	24.9	22.00	19.00	21.10
19P	23.9	21.00	18.00	20.10
18P	22.9	20.00	17.00	19.10
17P	21.9	19.00	16.00	18.10
16P	20.9	18.00	15.00	17.10
15P	19.9	17.00	14.00	16.10
14P	18.9	16.00	13.00	15.10
13P	17.9	15.00	12.00	14.10
12P	16.9	14.00	11.00	13.10
11P	15.9	13.00	10.00	12.10
10P	14.9	12.00	9.00	11.10
9P	13.9	11.00	8.00	10.10
8P	12.9	10.00	7.00	9.10
7P	11.9	9.00	6.00	8.10
6P	10.9	8.00	5.00	7.10
5P	9.9	7.00	4.00	6.10
4P	8.9	6.00	3.00	5.10
3P	7.9	5.00	2.00	4.10
2P	6.9	4.00	1.00	3.10

SECTION A-A

SER	AREA	REVISIONS	CHK	DATE

UNLESS OTHERWISE SPECIFIED TOLERANCES ARE	APPROVED	PART NO.
±0.1	DATE	11-29-XX01-XX
±0.05	CHECKED	DRAWING NO. JB96*08003
±0.30°	DATE	COMPUTER NO. RD0800301
	SCALE	SIZE NAME FFC 10 CONNECTOR HEAD REV
	UNIT	ZIF FPC SMT(BOTTOM CNT)
	MM	81 A3

东莞市宽拓电子科技有限公司
 Dongguan Kuantuo Electronics Co., Ltd

UNLESS OTHERWISE SPECIFIED TOLERANCES ARE ±0.1