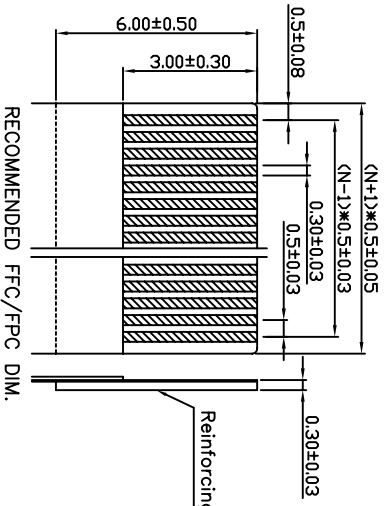
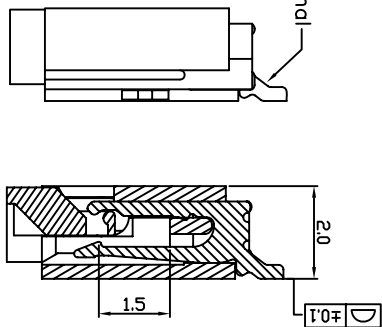


Electrical Characteristics:
 Current rating: 0.4A AC/DC
 Voltage rating: 50V AC/DC
 Temperature range: -25°C~+85°C
 Withstand Voltage: 200V AC/Minute
 Contact Resistance: $\leq 20m\Omega$
 Insulation resistance: $\geq 500m\Omega$
 Relative Humidity: 93%+40°C

Material Description:
 Terminal: Phosphor Bronze
 Fitting Nail: Brass
 Housing: Thermoplastic(UL94V-0)
 Actuator: Thermoplastic(UL94V-0)



PIN数	DIM=A	DIM=B	DIM=C	DIM=D	PIN数	DIM=A	DIM=B	DIM=C	DIM=D
60P	34.40	31.50	29.50	30.60	32P	20.40	17.50	15.50	16.60
59P	33.90	31.00	29.00	30.10	31P	19.90	17.00	15.00	16.10
58P	33.40	30.50	28.50	29.60	30P	19.40	16.50	14.50	15.60
57P	32.90	30.00	28.00	29.10	29P	18.90	16.00	14.00	15.10
56P	32.40	29.50	27.50	28.60	28P	18.40	15.50	13.50	14.60
55P	31.90	29.00	27.00	28.10	27P	17.90	15.00	13.00	14.10
54P	31.40	28.50	26.50	27.60	26P	17.40	14.50	12.50	13.60
53P	30.90	28.00	26.00	27.10	25P	16.90	14.00	12.00	13.10
52P	30.40	27.50	25.50	26.60	24P	16.40	13.50	11.50	12.60
51P	29.90	27.00	25.00	26.10	23P	15.90	13.00	11.00	12.10
50P	29.40	26.50	24.50	25.60	22P	15.40	12.50	10.50	11.60
49P	28.90	26.00	24.00	25.10	21P	14.90	12.00	10.00	11.10
48P	28.40	25.50	23.50	24.60	20P	14.40	11.50	9.50	10.60
47P	27.90	25.00	23.00	24.10	19P	13.90	11.00	9.00	10.10
46P	27.40	24.50	22.50	23.60	18P	13.40	10.50	8.50	9.60
45P	26.90	24.00	22.00	23.10	17P	12.90	10.00	8.00	9.10
44P	26.40	23.50	21.50	22.60	16P	12.40	9.50	7.50	8.60
43P	25.90	23.00	21.00	22.10	15P	11.90	9.00	7.00	8.10
42P	25.40	22.50	20.50	21.60	14P	11.40	8.50	6.50	7.60
41P	24.90	22.00	20.00	21.10	13P	10.90	8.00	6.00	7.10
40P	24.40	21.50	19.50	20.60	12P	10.40	7.50	5.50	6.60
39P	23.90	21.00	19.00	20.10	11P	9.90	7.00	5.00	6.10
38P	23.40	20.50	18.50	19.60	10P	9.40	6.50	4.50	5.60
37P	22.90	20.00	18.00	19.10	9P	8.90	6.00	4.00	5.10
36P	22.40	19.50	17.50	18.60	8P	8.40	5.50	3.50	4.60
35P	21.90	19.00	17.00	18.10	7P	7.90	5.00	3.00	4.10
34P	21.40	18.50	16.50	17.60	6P	7.40	4.50	2.50	3.60
33P	20.90	18.00	16.00	17.10	5P	6.90	4.00	2.00	3.10
					4P	6.40	3.50	1.50	2.60

NOTES:
 1. PLASTIC BURRS 0.1mm MAX
 2. PART NO. SPECIFICATION: 11-26-XX01-12

26BOTTOM CONTACT
 NO. OF CONTACT CODE
 PACK
 Plating code:
 1: Tin-Leadplated
 2: Gold Flash
 3: Gold 3μ"
 4: Gold 5μ"

东莞市宽拓电子科技有限公司
 Dongguan Kuantuo Electronics Co.,Ltd

UNLESS OTHERWISE SPECIFIED TOLERANCES ARE	APPROVED DATE	PART NO.
XX	DATE	11-26-XX01-12
XXX	CHECKED DATE	DRAWING NO. JB96*09002
X.XXX	DRAWN DATE	COMPUTER NO. RD0090201
ANG.	DATE	SCALE(SIZE NAME FPC US CONNECTOR HEAD)
MM	UNIT	81 A3
	MM	ZIF FPC SMT(BOTTOM CNT)
	MM	40°30'
SER AREA	REVISIONS	CHK DATE