



The Pennig Dynamic Wrist Fixator

Fractures of the Distal Radius and Radial Osteotomies

By Waston Marketing Dept.

INDICATIONS

Pediatric Indications	1
Timing of Surgery.....	1

EXTRA-ARTICULAR APPLICATION

Equipment Required	2
Additional Instrumentation.....	2
Maintenance of Apparatus and Sterilization.....	2
Re-assembly following Sterilization.....	3
Operative Technique	5
Post-Operative Management	10

TRANS-ARTICULAR APPLICATION

Equipment Required	10
The Waston Fragment Fixation System	10
Additional Instrumentation.....	10
Maintenance of Apparatus and Sterilization.....	11
Re-assembly following Sterilization.....	11
Operative Technique	12
Reduction Techniques.....	16
Use of the Ulnar Outrigger Clamp	19
Post-Operative Management	19

SUPPLEMENTARY TECHNIQUES

Limited Internal Fixation with the Waston Fragment Fixation System.....	20
Bone Screw Anchorage in Osteoporosis	21
Indications for the use of the Smaller Screws.....	21

CORRECTIVE OSTEOTOMIES OF THE DISTAL RADIUS

Introduction	28
Objectives and Priorities.....	28
Planning the Operation.....	28
Loss of Dorsal Angulation	29
Correction of Dorsal Angulation	29
Equipment Required	30
Additional Instrumentation.....	30
Maintenance of Apparatus and Sterilization.....	30
Operative Technique	31

INDICATIONS

Using the equipment listed on page 2.

Extra-articular Application:

- Metaphyseal fractures of the distal radius without intra-articular involvement and with an epiphyseal fragment with a volar length of 10 mm minimum (Frykman type I, II and V, VI fractures).
- Meta/diaphyseal compound fractures of the radius and ulna
- Meta/diaphyseal bone loss in the radius and ulna
- Distal radius deformities with or without shortening, due to malunion, congenital malformation or late results of distal radial growth plate injuries.

Using the equipment listed on page 10 (together with the compression-distraction module).

Trans-articular Application:

- Fractures with very short peri-articular fragments or displaced intra-articular fractures (Frykman type III, IV and VII, VIII fractures).
- Delayed unreduced fractures
- Shortening due to soft-tissue contraction in conjunction with metaphyseal bone loss
- Controlled joint distraction for intra-articular procedures, such as joint revision surgery and correction of intra-articular malunion, preceded, where indicated, by arthroscopy.

Using one short module and one compression-distraction module:

- Carpal dislocation (untreated acute)
- Scaphoid-lunate dislocation
- Osteoarthritis of wrist (proximal carpal row resection)
- Compound injuries of the clavicle

PEDIATRIC INDICATIONS

The minimal working length (distance between the inner screws) of the fixator is 66 mm.

The following combinations are possible:

- Two short modules
- One short and one long module
- Two long modules

The indications listed below apply to younger children, where the WASTON 31000 Fixator is too large:

- Forearm fractures/osteotomies
- Humeral fractures/osteotomies
- Comminuted elbow fractures (early mobilization optional)
- Femoral fractures/osteotomies
- Tibial fractures/osteotomies
- Comminuted fractures of the knee and ankle.

TIMING OF SURGERY (Acute Fractures)

In treating acute fractures it cannot be over-emphasized that the earlier fixator application is carried out, the easier reduction will be. This means that ideally, the fixator should be applied in the first seven days following fracture. From day seven on, a higher incidence of difficult reduction and the need for limited internal fixation and bone grafting may be expected, due to increased stickiness of the fracture hematoma and early callus formation. This is particularly the case where application of the fixator is trans-articular (see Operative Technique, pages 12-21). With extra-articular application of the fixator (see Operative Technique, pages 5-11), however, it may be possible to correct a malpositioned radius for up to 14 days following fracture without the need to employ additional techniques¹.

EQUIPMENT REQUIRED

Pennig Dynamic Wrist Fixator for Extra-Articular Fractures (D403) consisting of:

- 1 Compression-Distracton Module (D4005)
- 1 Short Module with T-Clamp (D4008)
- 1 Double Ball-Joint (D4009)

- 2 Template/Conversion Clamps (D4011)
- 2 Screw Guides/ Templates with handles (G13620)
- 1 Drill Guide 2.7 mm diameter (G13532)
- 1 Drill Bit Kit 2.7 mm diameter (G1100401)
- 1 Tapered Trocar (GG13540)
- 1 3 mm Ease Handle Wrench (G10022)
- 1 T-Wrench for Bone Screws (G21000)

- 3 Cortical Screws 70/20, 3.0-3.3 mm thread diameter (PLT4020703033)

- 1 Cortical Screw 80/35, 3.0-3.3 mm thread diameter (PLT4035803033)

ADDITIONAL INSTRUMENTATION (not provided)

- 2 Langenbeck Retractors-Small
- Adson Forceps
- Scalpels (Nos. 11 & 15)
- Small Scissors
- Drill (Recommend Bojin BJ8103 Canulate Drill)

- 2 Kirschner Wires 1.5 mm or 1.6 mm

MAINTENANCE OF APPARATUS AND STERILIZATION

When products are used for the first time, they should be removed from their containers and properly cleaned using medical grade alcohol 70% + distilled water 30%. After cleaning, the devices should be rinsed with sterile distilled water and dried using clean non-woven fabric.

Prior to surgical use, the fixator, as well as the bone screws and instrumentation should be cleaned as described above and sterilized by steam autoclaving following a validated sterilization procedure, utilizing a prevacuum cycle (Waston recommends the following cycle: steam autoclave 132°-135° C [270°-275°F], minimum holding time 8 minutes).

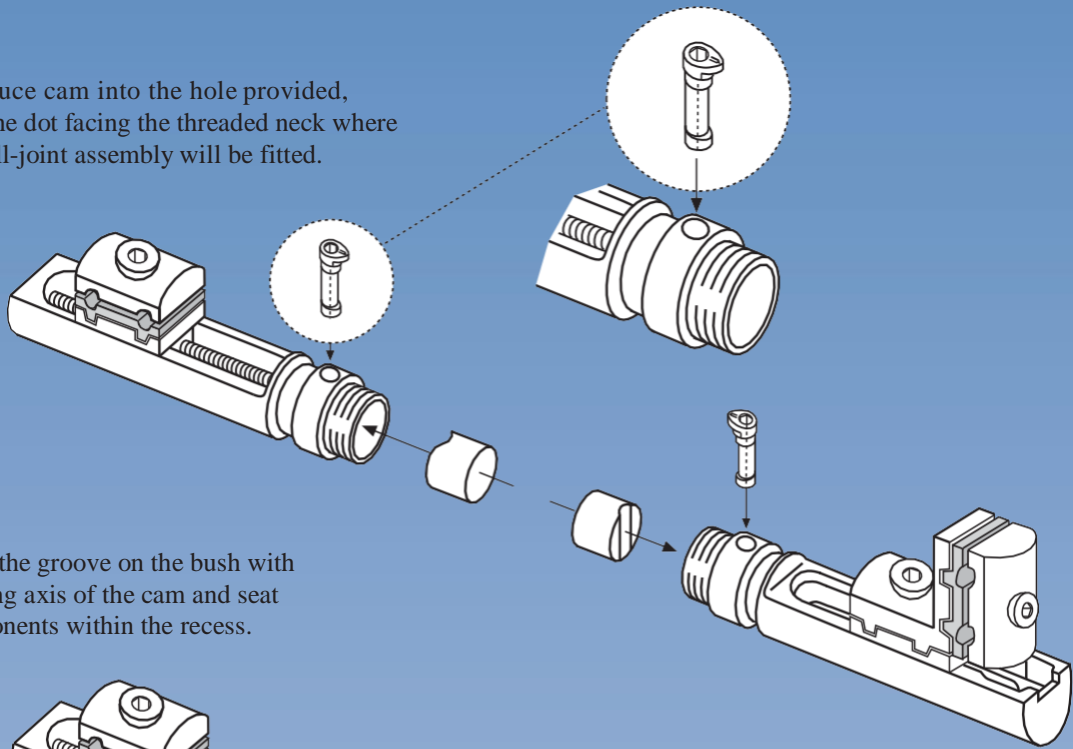
Where the fixator is reused, it should be completely dismantled for cleaning, but it may be sterilized in the assembled state provided that all the screws and cams are left loosened. **It is particularly important that the clamp cover screw of the compression-distracton module (D4005) is not tightened prior to insertion of the bone screws into the clamp.**

It is recommended that the cams, bushes, clamp cover screws and clamp anchoring screws are replaced after each use. In addition, the double ball-joint (D4009), should be inspected after each use and replaced if signs of wear are evident.

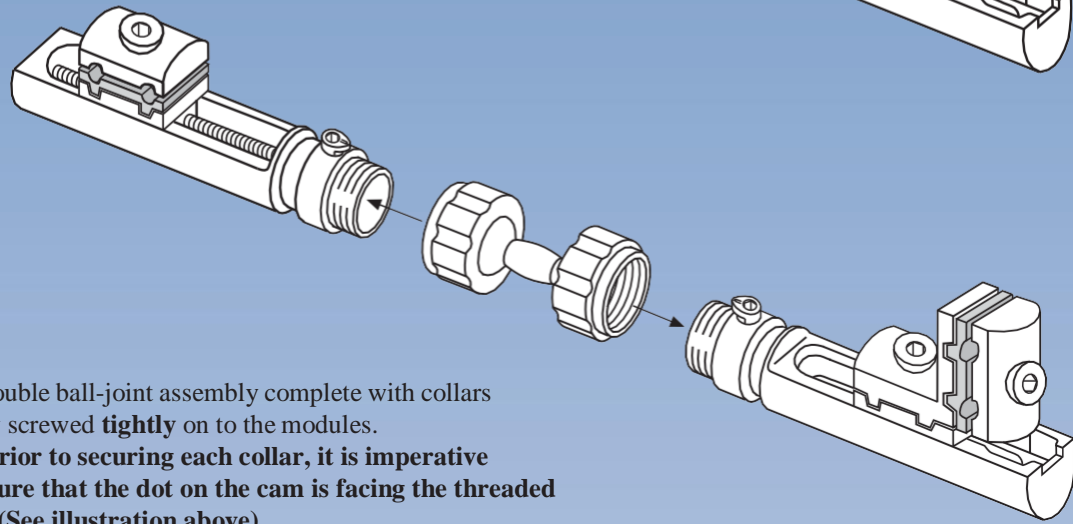
Bone Screws should never be reused.

RE-ASSEMBLY FOLLOWING STERILIZATION

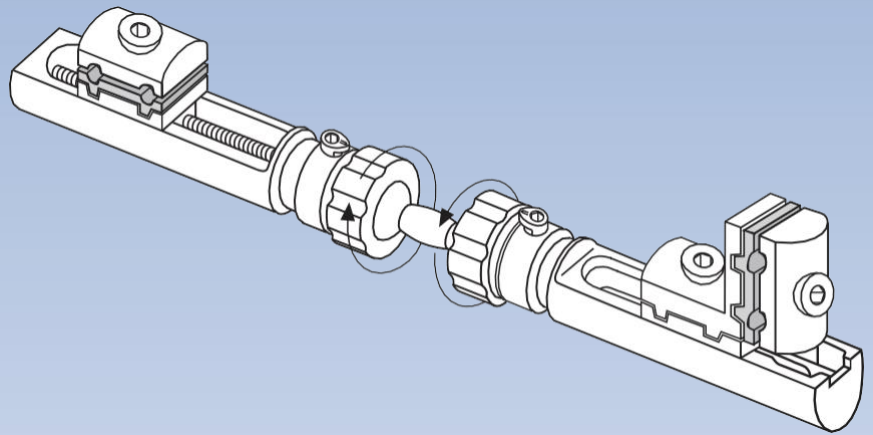
1. Introduce cam into the hole provided, with the dot facing the threaded neck where the ball-joint assembly will be fitted.



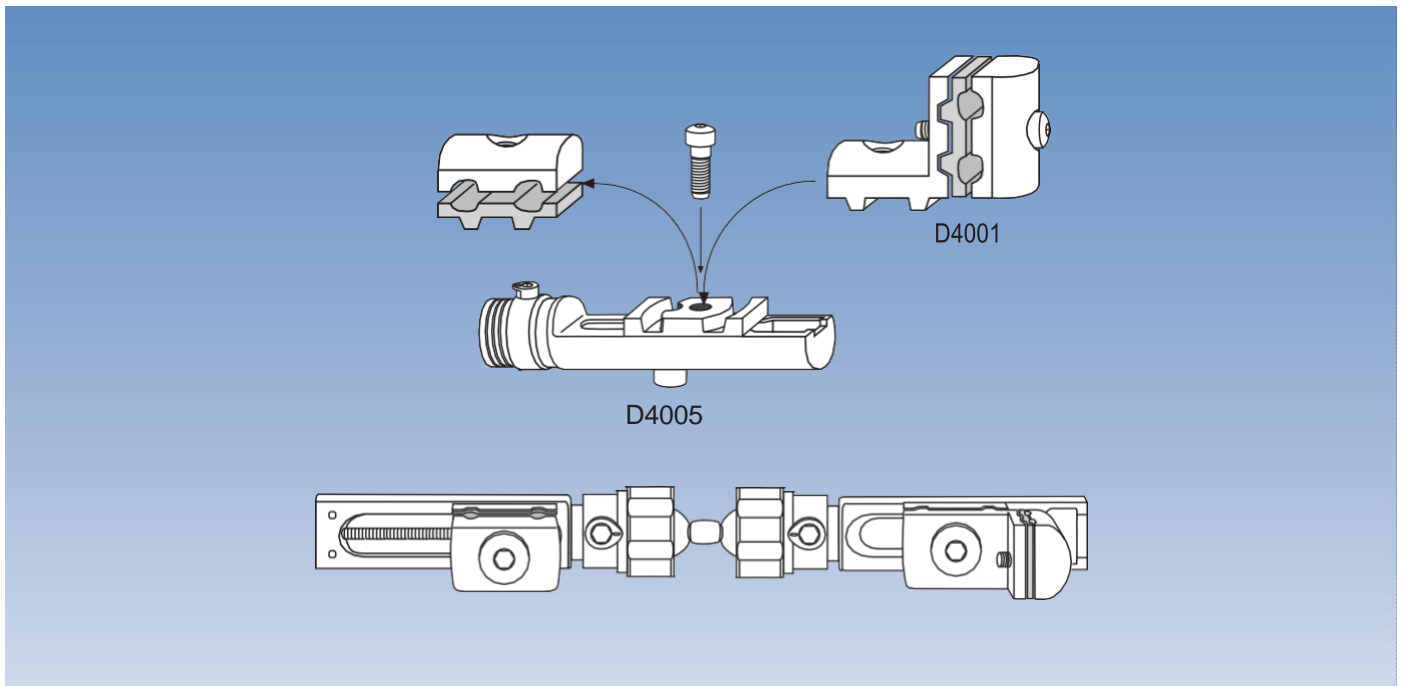
2. Align the groove on the bush with the long axis of the cam and seat components within the recess.



3. The double ball-joint assembly complete with collars is now screwed **tightly** on to the modules.
NB: prior to securing each collar, it is imperative to ensure that the dot on the cam is facing the threaded neck. (See illustration above).

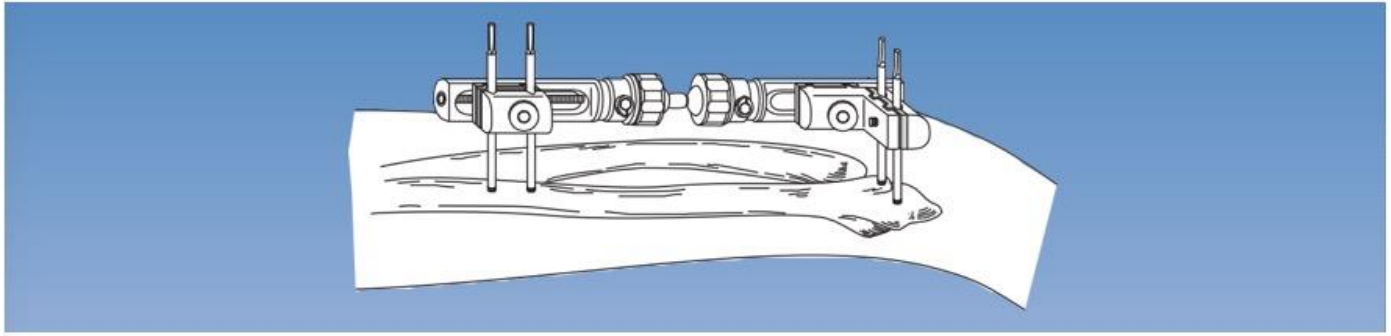


Note: If the fixator is reused, the cams and bushes should be changed for each new application. The remaining fixator components should be carefully examined for possible damage.



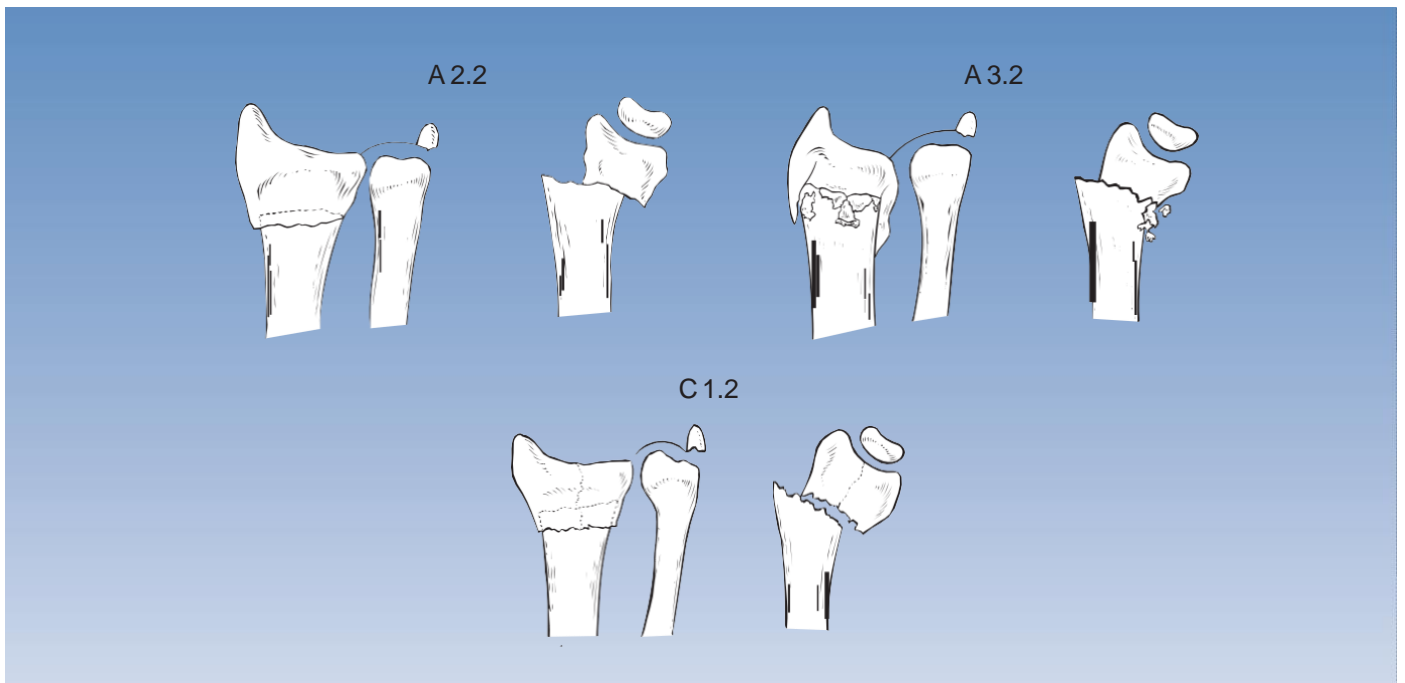
If the extra-articular configuration is not available ready-assembled (D403), this may be constructed as follows:

- The T-clamp (D4001) is mounted on the short module (D4005) by removing the screw retaining the clamp cover of the straight clamp, which is not used, and using this screw to anchor the T-clamp in place as shown.
- The cams and bushes are assembled as described above.
- The compression-distraction module (D4006) completes the assembly.



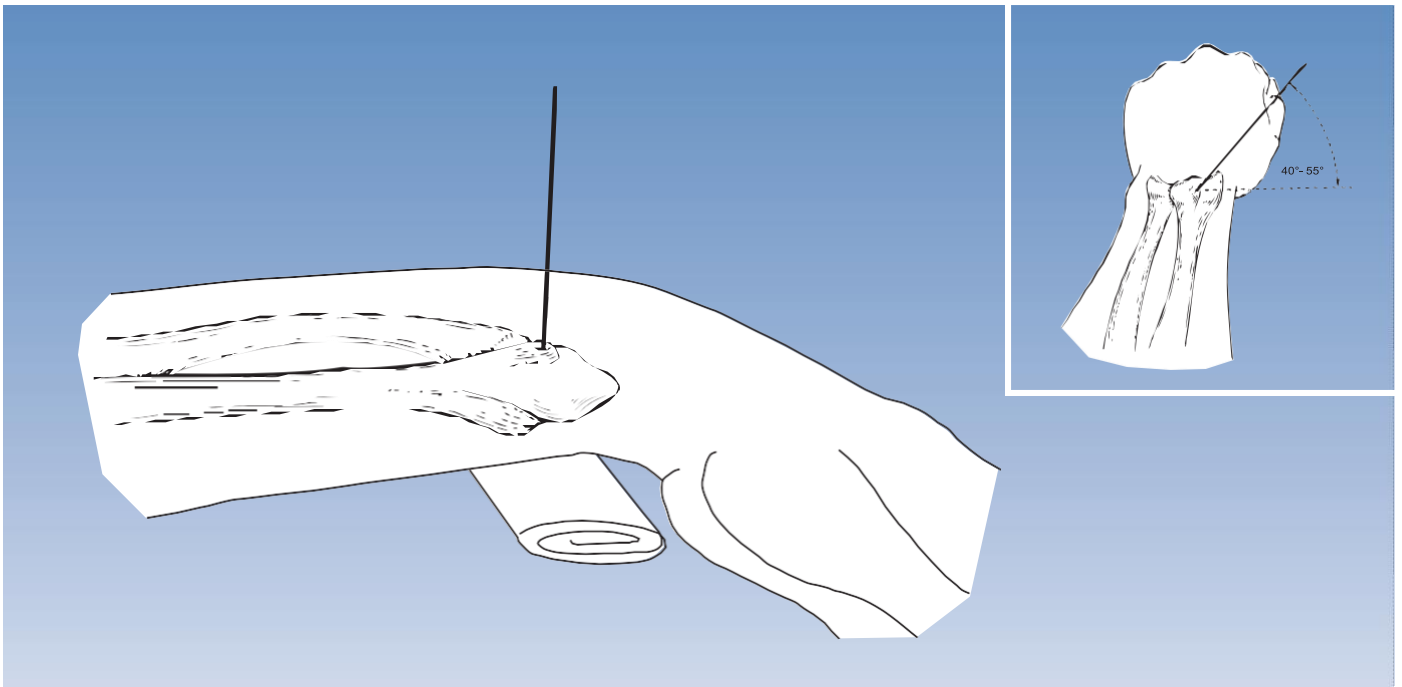
OPERATIVE TECHNIQUE

If there is no intra-articular involvement of the fracture line and the epiphyseal fragment has a volar length of 10 mm minimum, bridging of the joint is not required



Indications

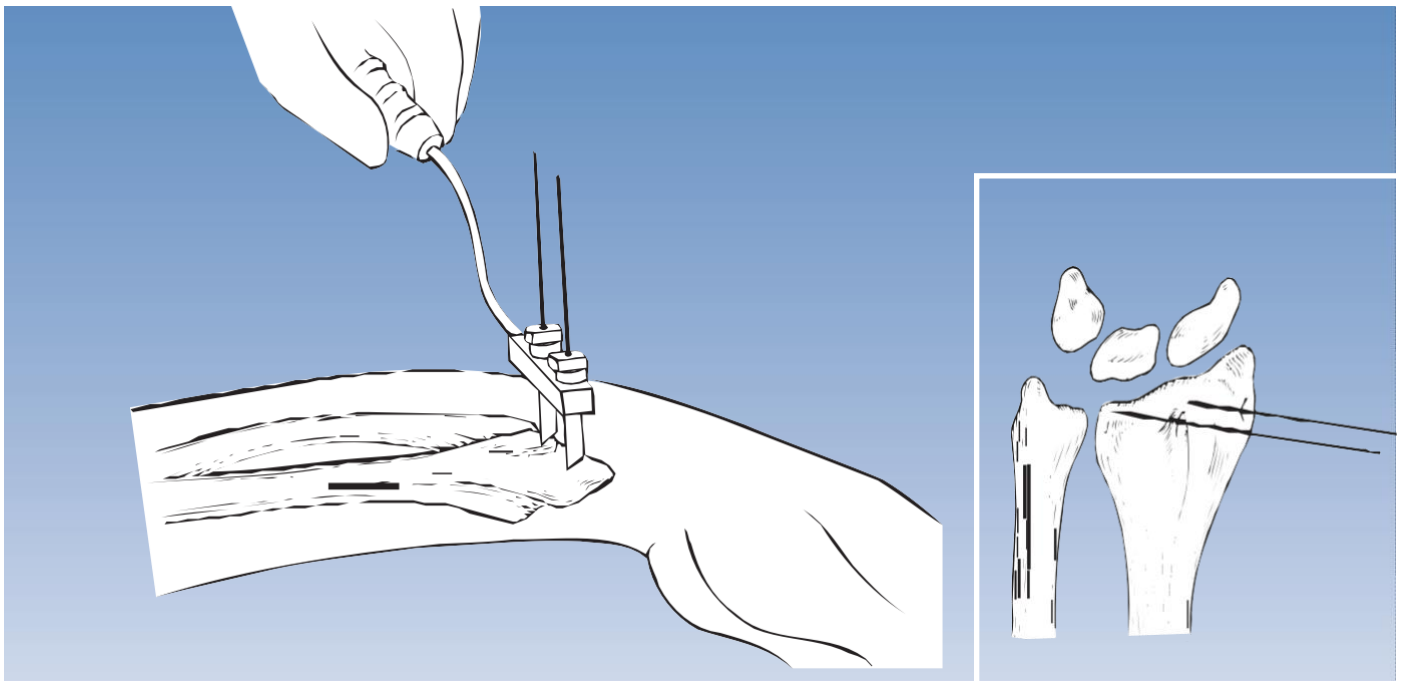
The fracture types that can be treated with this technique include AO type A2 and A3 metaphyseal fractures which correspond to Frykman I and II fractures, and Frykman V and VI fractures. Adequate fixation of the periarticular screws is only possible where there is no comminution in the fragment in which the screws are inserted. About 30% of fractures will be suitable for this type of application, which allows immediate mobilization of the wrist. Fractures with a non-displaced intra-articular fracture line (C1.2) may also be treated in this way provided that two screws can safely be inserted distally.



Insertion of the Distal Screws

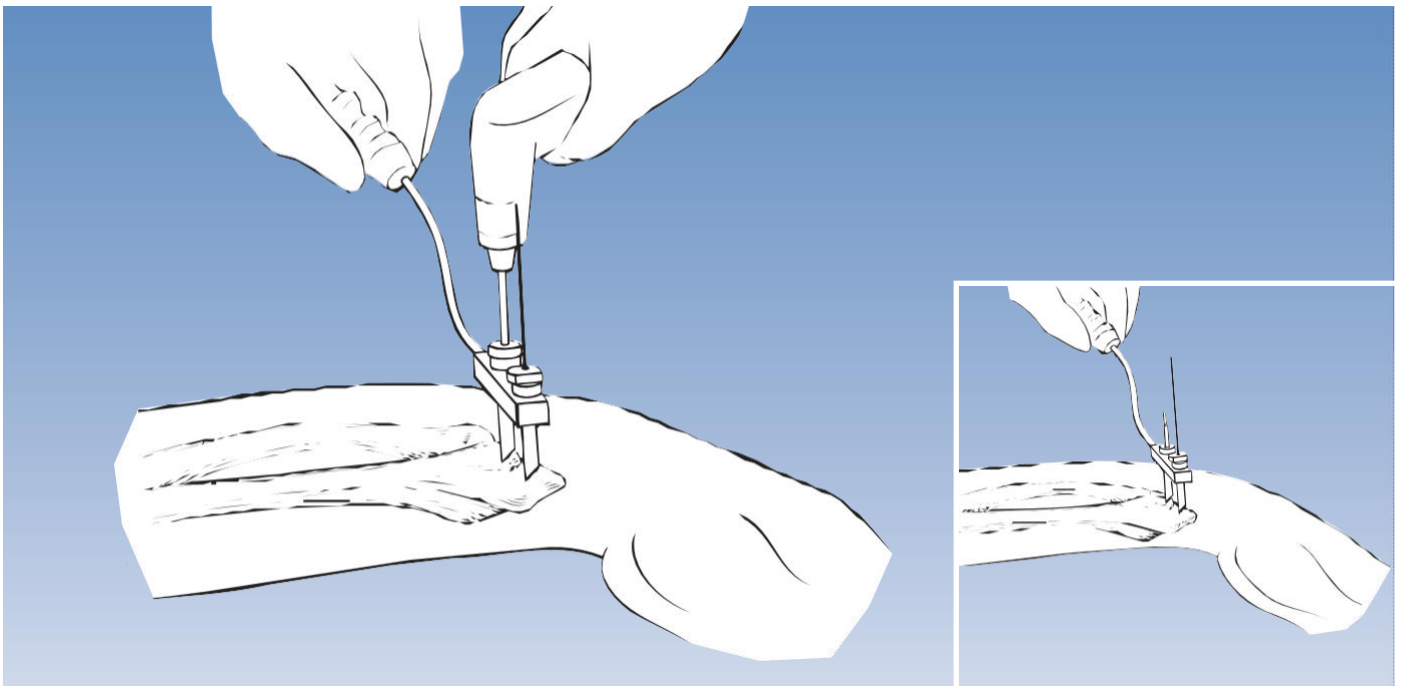
Brachial plexus anesthesia or general anesthesia is recommended. Pre-operative preparation of the arm includes shaving of the skin surfaces and washing of both the forearm and hand.

A hand table is used and a tourniquet is mandatory. Lister's tubercle is identified and a 10 mm incision is made over it. The bone must be exposed prior to insertion of the first 1.5 or 1.6 mm Kirschner wire. The plane of insertion of this wire is about 45° (40°-55°) to the frontal plane. A template with handle, with one screw guide and one pilot wire guide is slid over this Kirschner wire after its position has been checked radiographically.

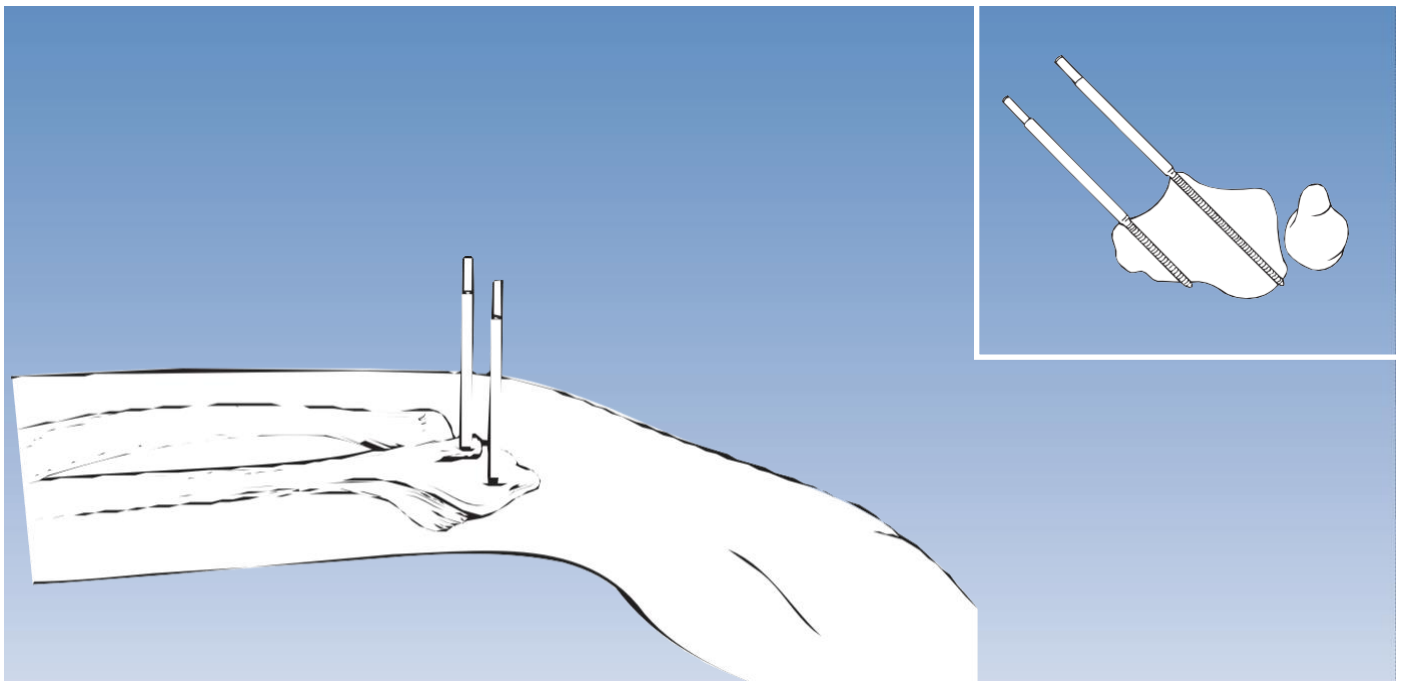


The second screw guide is now introduced and the second pilot wire guide placed inside it. A second 1.5 or 1.6 mm Kirschner wire is now inserted parallel to the first, following a 10 mm stab incision and exposure of the bone in the area of the radial styloid. During insertion it is helpful to aim for the solid cortex of the volar lip, but care should be taken to avoid penetration of the wrist joint.

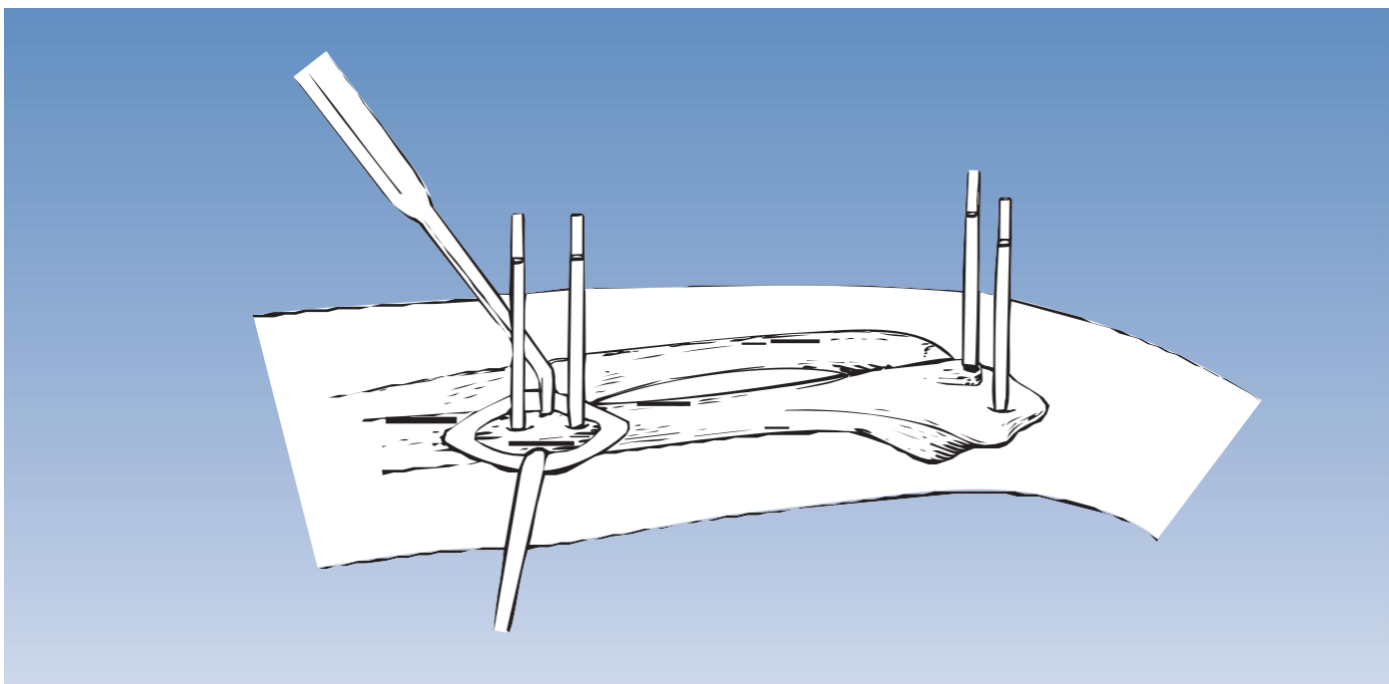
The template with handle is removed and a radiological check of the positions of both Kirschner wires carried out in two planes. If necessary, one or both Kirschner wires may be re-sited.



When the positions of the Kirschner wires are deemed satisfactory, the template with handle, together with screw guides and pilot wire guides, is replaced. The Kirschner wire in Lister's tubercle is then removed together with its pilot wire guide and a 2.7 mm drill guide inserted. Pre-drilling is carried out with the 2.7 mm drill bit and an 80/35 mm screw inserted. This screw must be advanced very carefully under image intensification in order to avoid over-penetration of the volar cortex. **It is important to remember that the screws are tapered in design and cannot be backed out.**



The second Kirschner wire is now removed together with its pilot wire guide and drilling for the second screw carried out. Depending upon the size of the radial styloid a 70/20 or an 80/35 screw should be used. A radiographic check at the end of screw insertion is mandatory. The screw should engage the volar cortex securely and penetrate by one thread. Penetration of the radio-ulnar joint however, must be avoided.



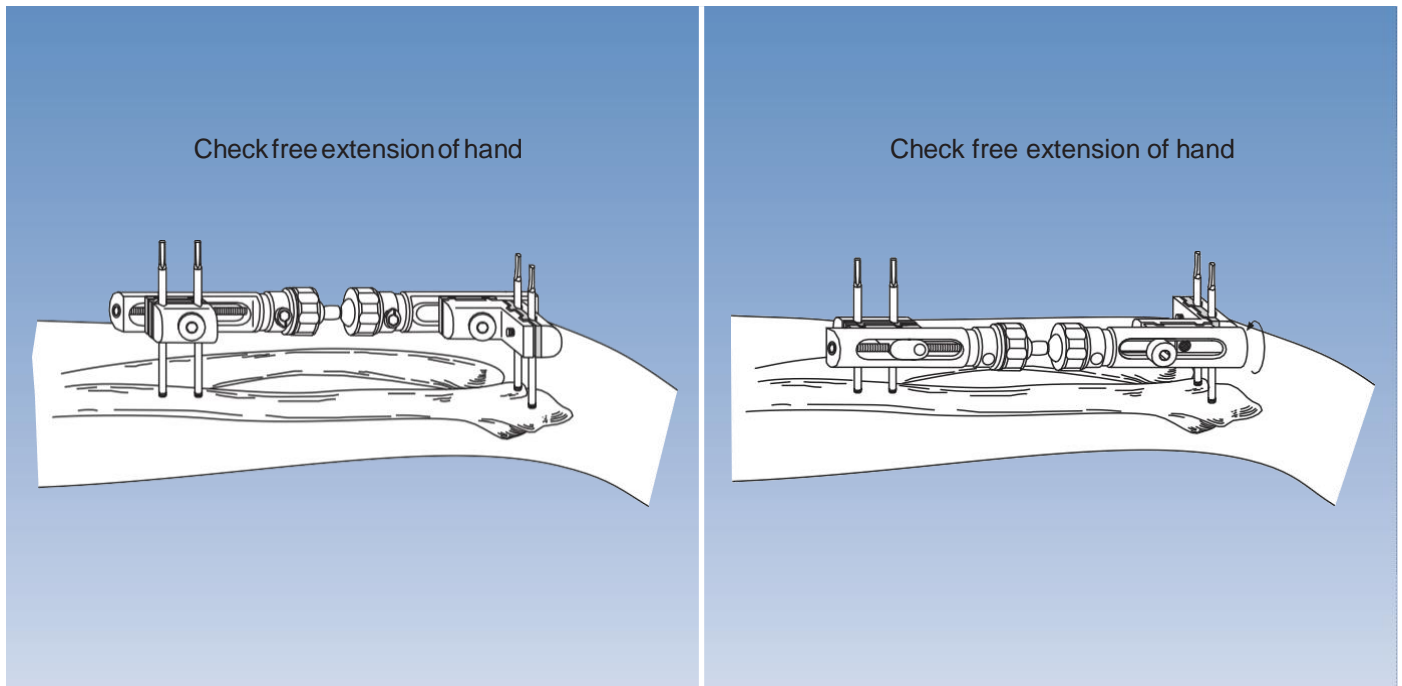
Insertion of the Proximal Screws

Insertion of the proximal screws is carried out at a distance of about 14 cm from the distal screws. The fixator may be mounted temporarily on the distal screws. The skin is then marked to indicate the position of the proximal screws and the fixator removed for screw insertion.

Alternatively, the cover of the clamp of the proximal module may be replaced with the template/conversion clamp (D4011) (see page 32), the fixator mounted to the distal screws and the screw guides inserted into the template/conversion clamp.

The proximal screws are inserted through a 25 mm incision in order to avoid injury to the superficial branch of the radial nerve. Again, a plane of insertion 45° to the frontal plane is chosen and the appropriate screws inserted after drilling with the 2.7 mm drill bit. In most instances 70/20 mm screws will be employed.

TRANS-ARTICULAR APPLICATION



Using the T-Clamp (D4001)

The fixator is mounted with the compression-distraction module placed proximally and the short module with T-clamp distally.

Note: Ensure that both ball-joint security collars of the fixator are fully tightened.

Where the proximal screws have been applied with the fixator already mounted, the template/conversion clamp should be replaced with the definitive clamp cover. Reduction of the fracture is not necessary prior to mounting of the fixator. The templates with handles are now placed over each pair of screws to assist in fracture reduction. Once reduction has been achieved, all clamp cover and clamp anchoring screws are tightened using the Ease wrench or Allen wrench, ensuring that bone screws are housed in the clamp and base plate seats.

Take care that the fixator module is held firmly while tightening to avoid loss of position. To tighten the double ball-joint, the cam is turned **clockwise** until very tight.

The fixator should be placed in such a way that it does not obstruct the lateral or AP X-ray and the alternative positions possible are shown above.

Post-operative dressings are applied around the screws, but a circular dressing is not recommended. Tightening of the fixator screws should be checked at least once again, and tightness of the ball-joint security collars of the fixator should be checked at regular intervals.

POST-OPERATIVE MANAGEMENT

1. The wrist joint is mobilized immediately post-operatively. Patients are not permitted, however, to lift or push heavy items.
2. **Pin Site Care:** Dressings should be changed 2-3 times per week for two weeks and subsequently once a week where there are normal pin sites.
3. **X-ray Assessment:** This should be carried out on days 1, 7, 14 and 21 and prior to fixator removal. Retightening of all fixator screws should be carried out on days 1, 7, 14 and 21.
4. **Fixator Removal:** As a general rule, the fixator can be removed after 5-6 weeks. However, healing should be confirmed radiologically, since fracture patterns show considerable variation and longer application times may be required in some instances.

EQUIPMENT REQUIRED

Pennig Dynamic Wrist Fixator (37000) - complete
• <u>2 Screw Guides/Templates with handles (G13620)</u>
• <u>1 Drill Guide 2.7 mm diameter (G13532)</u>
• <u>1 Tapered Trocar (G13540)</u>
• <u>1 Drill Bit Kit 2.7 mm diameter (G1100401)</u>
• <u>1 T-Wrench for Clamp Screws (G10022)</u>
• <u>1 T-Wrench for Bone Screws (G21000)</u>
• <u>4 Cortical Screws 70/20 or 80/35 3.0-3.3 mm thread diameter (PLT4020703033 or PLT4035803033)</u>
• <u>Ulnar Outrigger Clamp (D4002)</u>
For small metacarpals consisting of:
• <u>2 Cortical Screws 70/20 2.5-3.0 mm thread diameter (PLT4020702530)</u>
• <u>1 Drill Guide 2.0 mm diameter (G13531)</u>
• <u>1 Drill Bit 2.0 mm diameter (G1355101)</u>
• <u>1 Drill Stop 2.0 mm diameter (G1355102)</u>
• <u>1 3 mm Allen Wrench (G10012)</u>
<i>The 2.0 mm drill bit and drill guide, and the 2.5-3.0 mm screws for which they must be used, are identified by a roughened surface.</i>

ADDITIONAL INSTRUMENTATION (not provided)

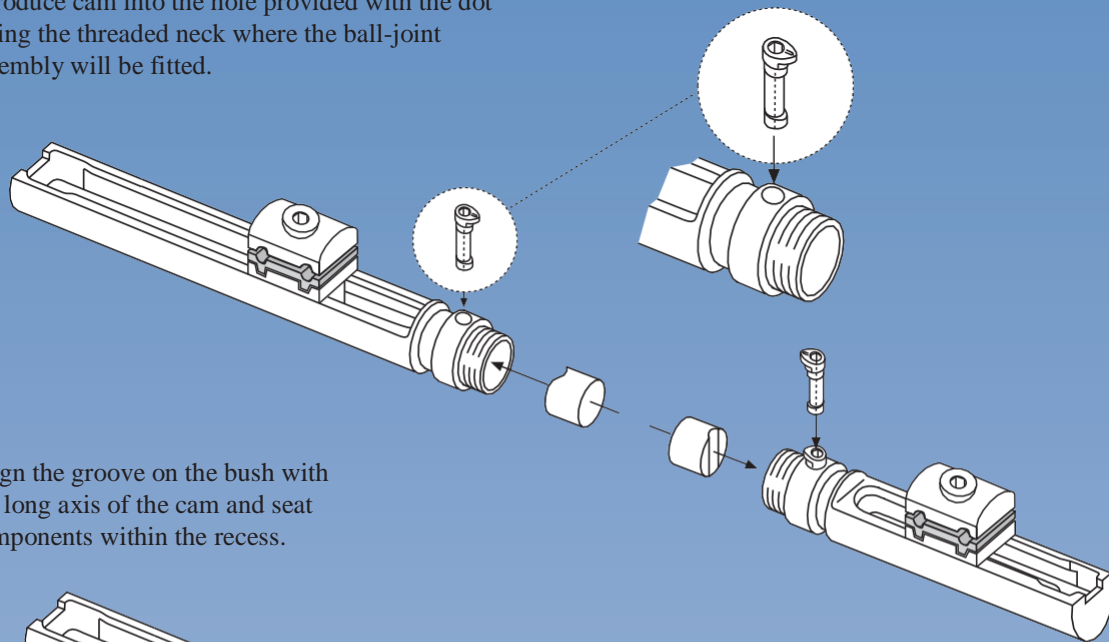
• <u>2 Langenbeck Retractors-Small</u>
• <u>Adson Forceps</u>
• <u>Scalpel (N° 11)</u>
• <u>Small Scissors</u>
• <u>Drill (Recommend BJ8103 Canulate Drill)</u>

MAINTENANCE OF APPARATUS AND STERILIZATION

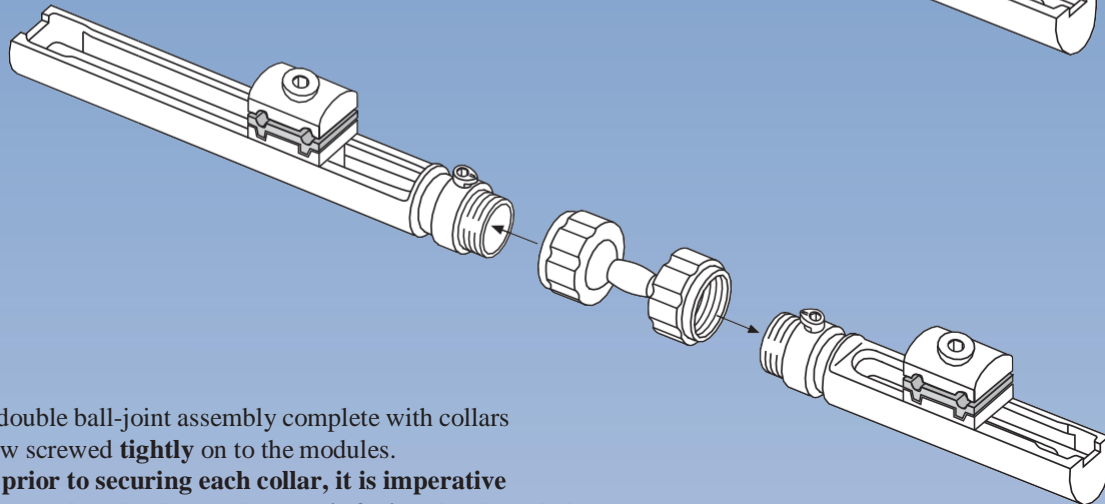
See under “Extra-Articular Application”, page 2.

RE-ASSEMBLY FOLLOWING STERILIZATION

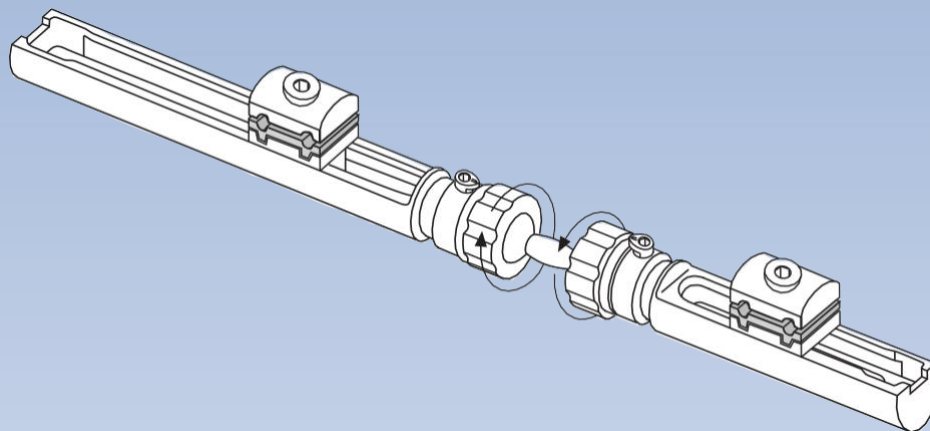
1. Introduce cam into the hole provided with the dot facing the threaded neck where the ball-joint assembly will be fitted.



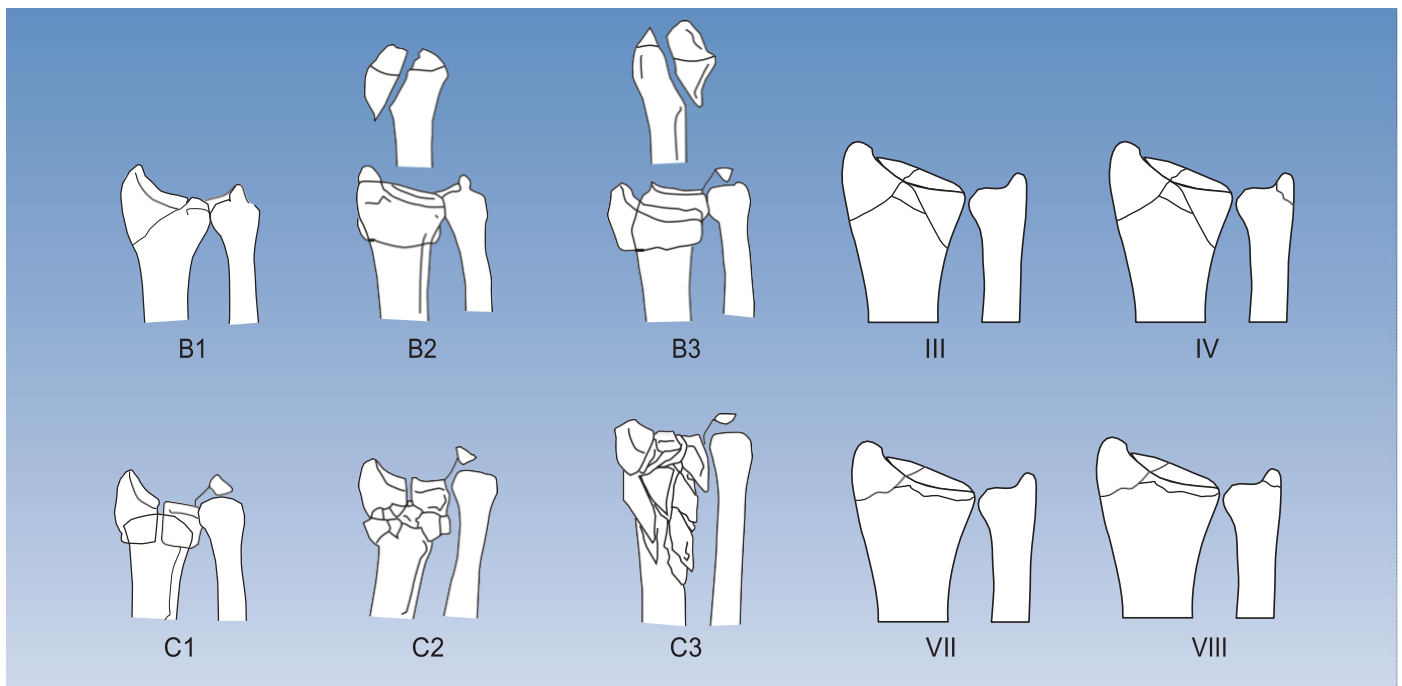
2. Align the groove on the bush with the long axis of the cam and seat components within the recess.



3. The double ball-joint assembly complete with collars is now screwed **tightly** on to the modules.
NB: prior to securing each collar, it is imperative to ensure that the dot on the cam is facing the threaded neck. (See illustration above).



Note: If the fixator is reused, the cams and bushes should be changed for each new application. The remaining fixator components should be carefully examined for possible damage.

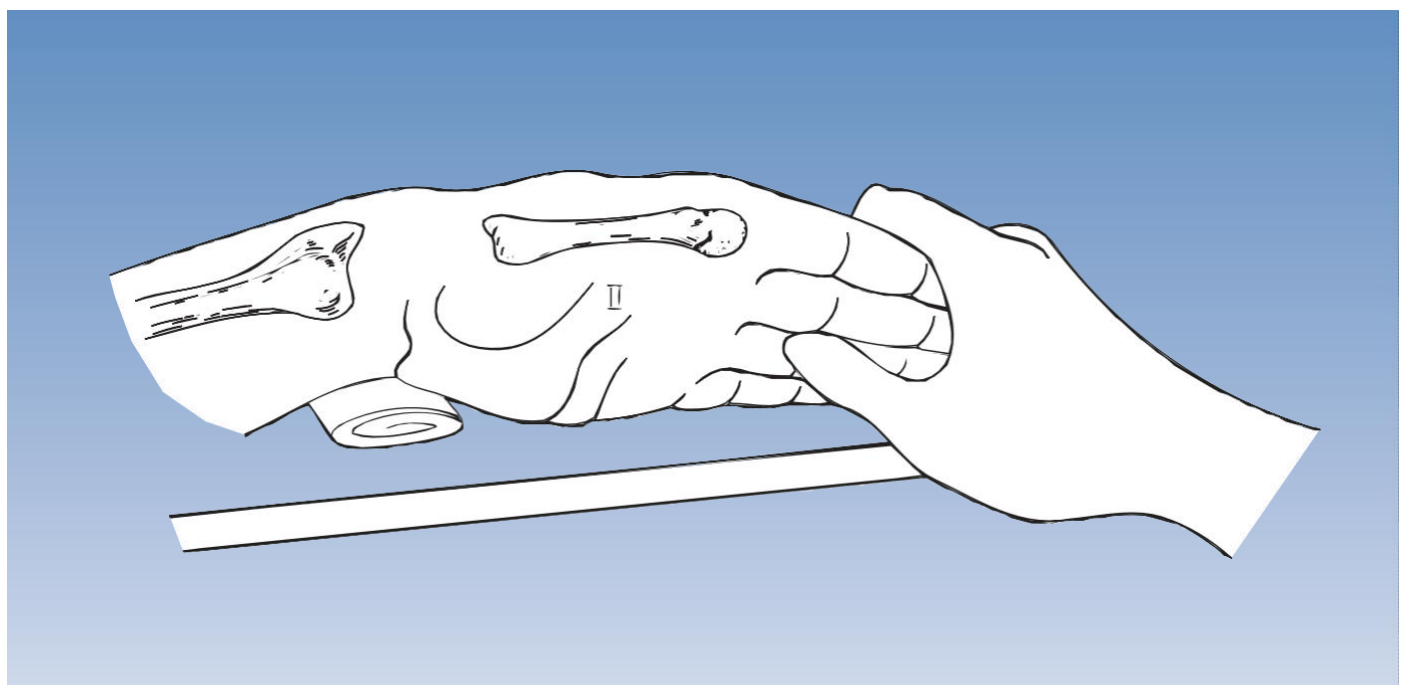


OPERATIVE TECHNIQUE

With very short peri-articular fragments where two screws cannot be inserted, or in displaced intra-articular fractures, bridging of the joint is necessary.

The fractures that can be treated with this technique include AO type B and C fractures, and Frykman type III/IV and VII/VIII fractures.

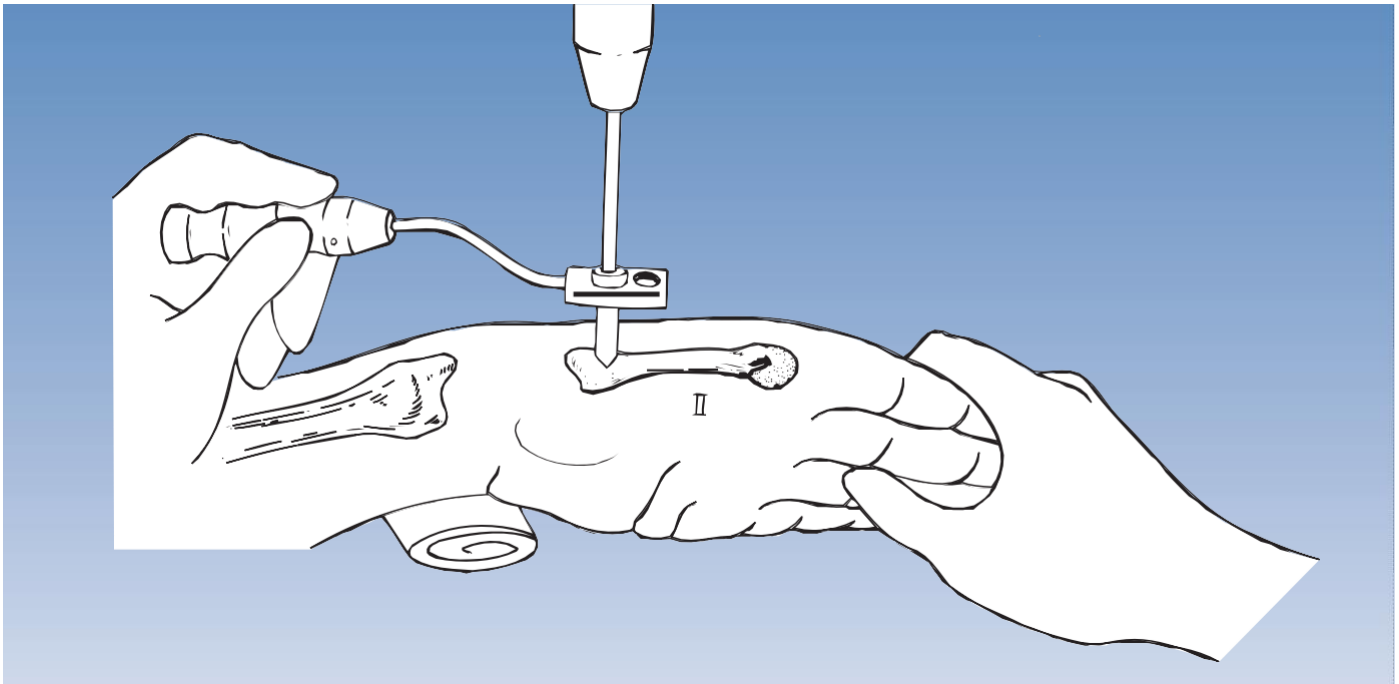
For the successful application of this technique, the individual characteristics of each case must be taken into account. Brachial plexus anesthesia or general anesthesia is recommended. A tourniquet may be used. Pre-operative preparation of the arm includes shaving of the skin surfaces and washing both the forearm and hand.



A hand table is used. Pre-operative fracture reduction can, but does not have to be carried out.

The wrist will usually be placed in moderate (manual) traction, flexion and radial abduction (i.e. ulnar deviation) with a folded towel on the ulnar side to support it.

The fixator is applied to the second metacarpal and the middle/distal third of the radius. The second metacarpal and the distal radius are shown.

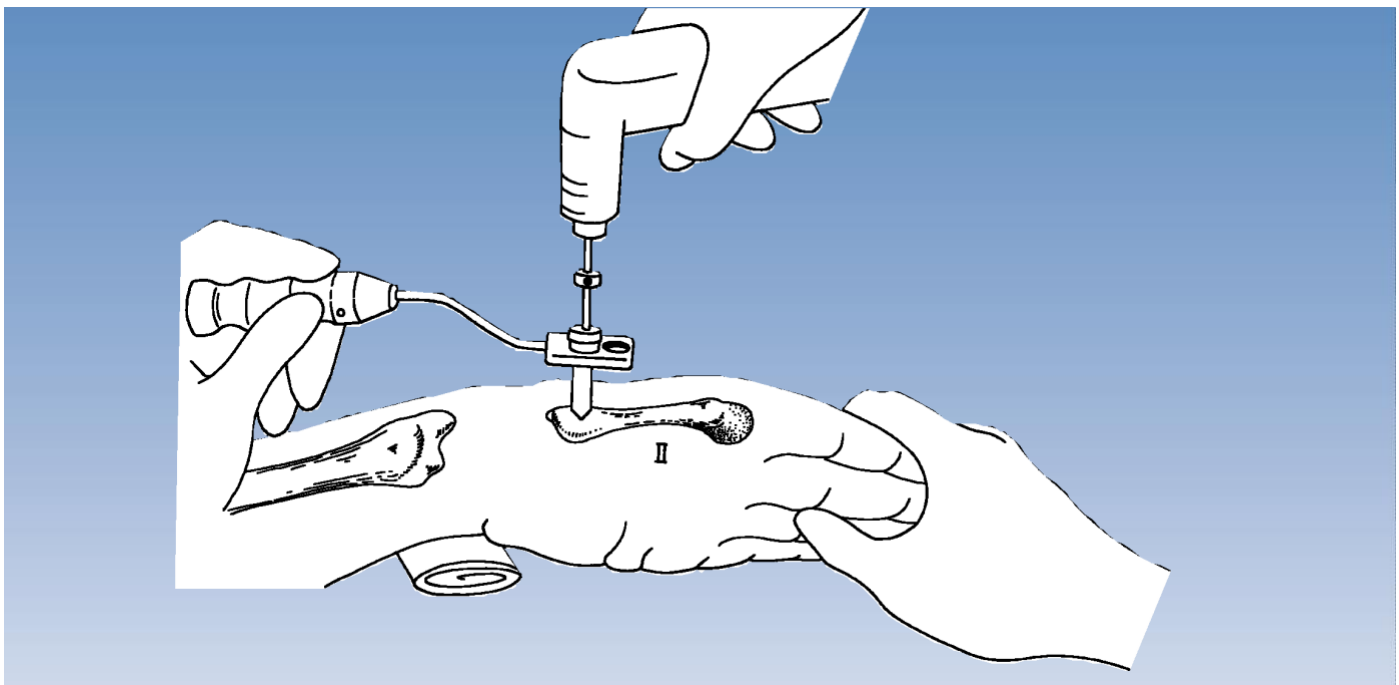


Insertion of the Distal Screws

The position of the screws determines the position of the fixator. Screws should be introduced in the **frontal plane** on the radial side so that wrist mobilization may be implemented at a later stage if desired, without displacement of the fracture fragments and to enable slightly oblique, unobstructed lateral X-rays to be taken.

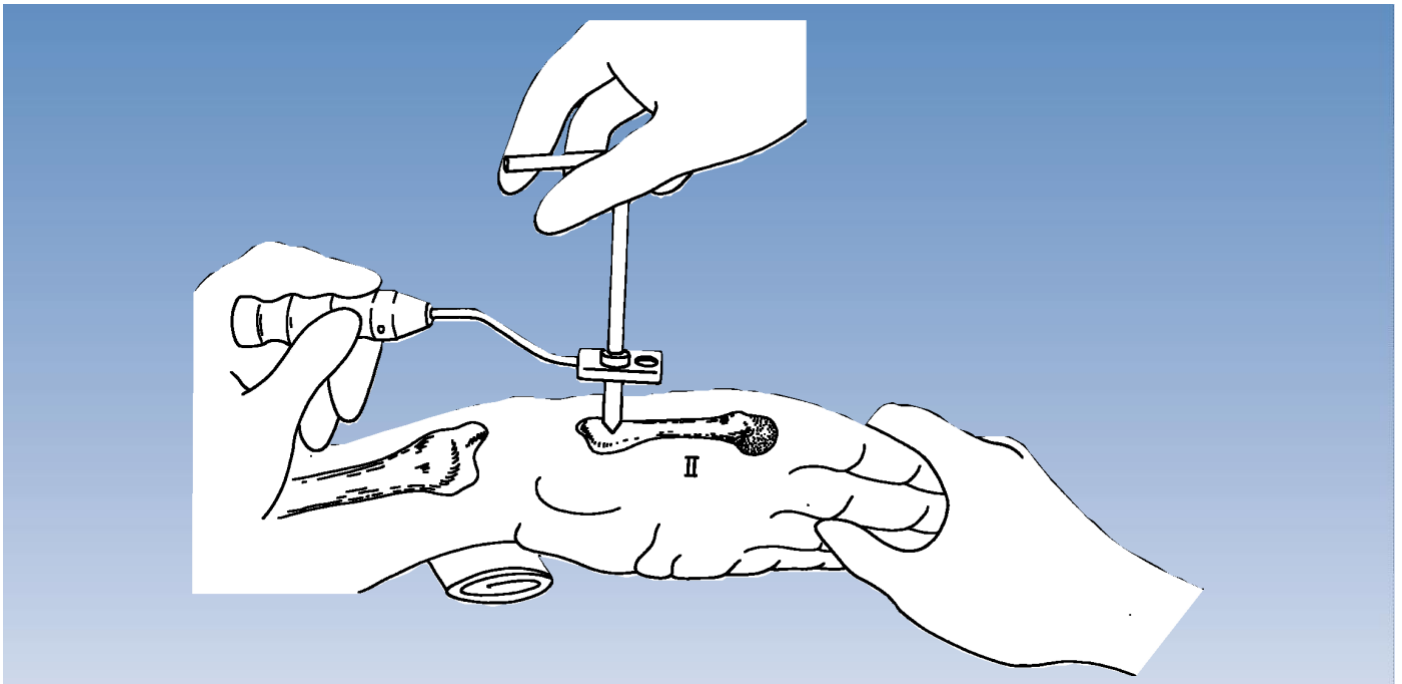
The proximal metacarpal screw is inserted first, positioned close to the base of the bone on the flare of the tubercle.

A stab incision is made and the soft tissue is dissected down to the bone, the center of which is then located using the trocar within the SHORT screw guide placed through the template with handle.



The trocar is removed and a drill guide inserted into the screw guide. A 2.7 mm drill bit is used and both cortices are drilled.

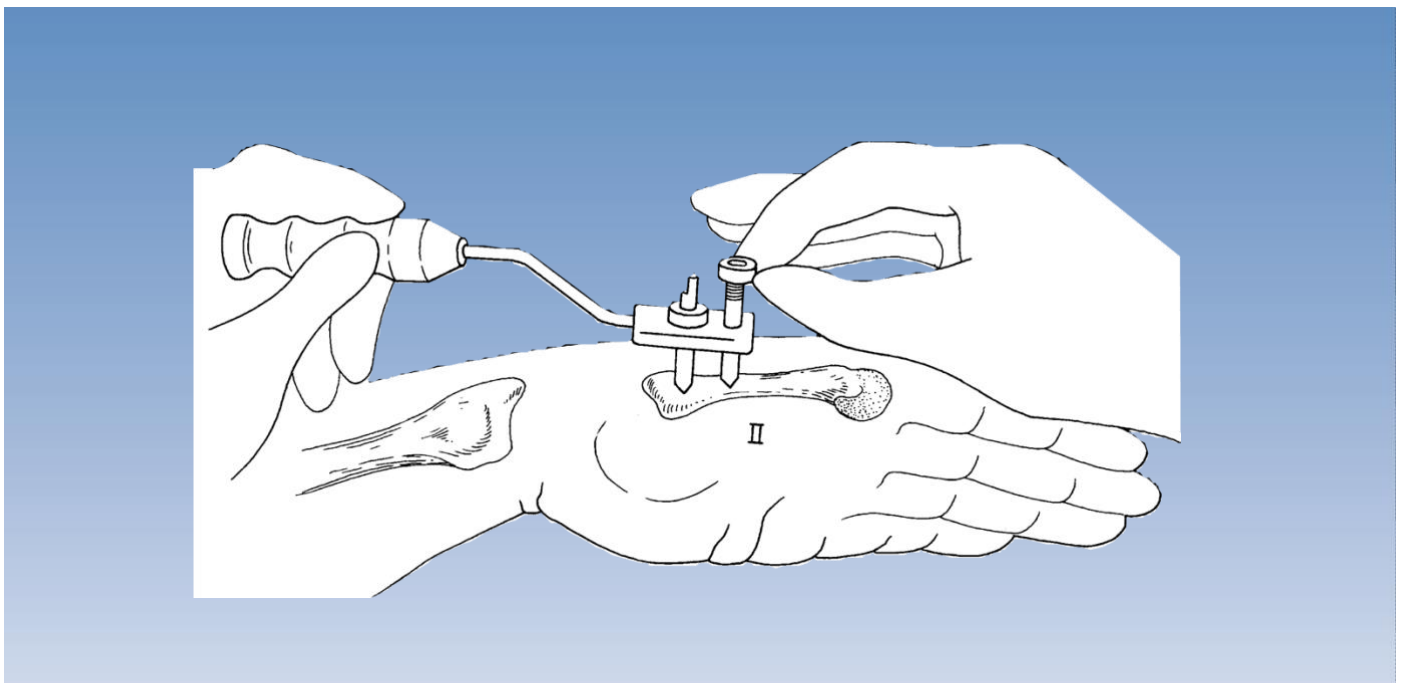
When the far cortex is reached, the drill stop is locked on to the drill bit 5 mm above the drill guide. The far cortex is then drilled. This will prevent the drill bit from damaging the interosseus muscles.



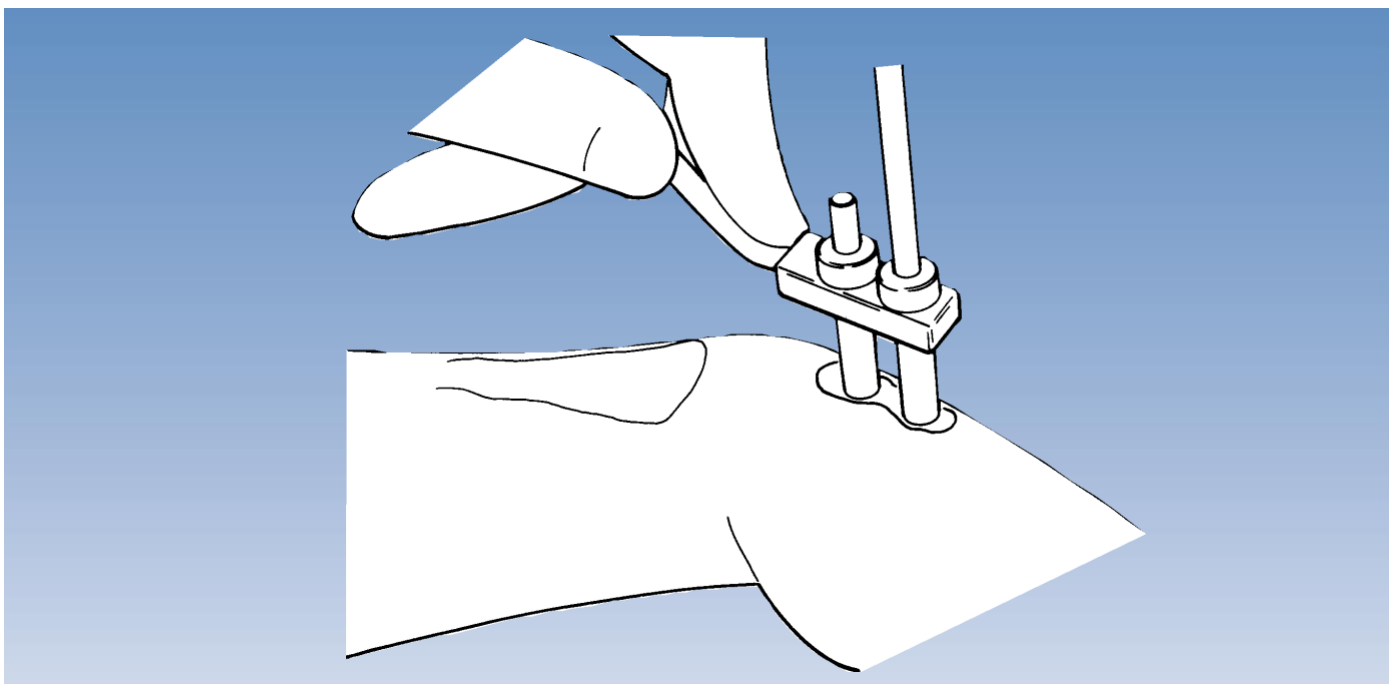
Cortical 3-3.3 mm thread and 4 mm shank diameter, 70/20 mm length screws (PLT4020703033) are suitable for most applications both in the metacarpal and the diaphysis of the radius. An 80/35 mm screw (PLT4035803033) is also available.

Screws with a smaller thread (2.5-3.0 mm) are available(PLT4020702530). These should only be used in the metacarpal diaphysis when the outer diameter of the bone is less than 9 mm. A 2.0 mm drill bit is used for the insertion of these screws. The proximal screw is now inserted into the second metacarpal through the screw guide to a depth of about 10 mm (i.e. half the thread length) using the T-wrench.

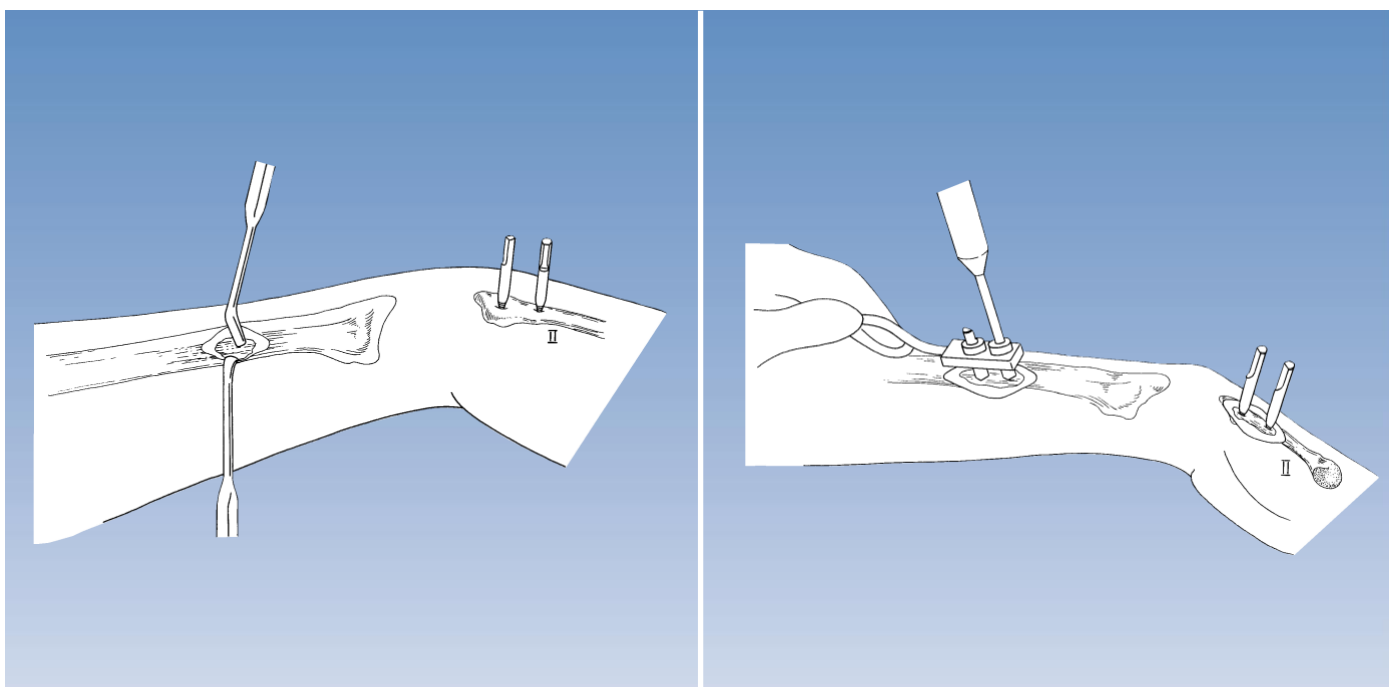
Note: An Image Intensifier should be used to verify the position and penetration of the far cortex by all 4 screws when they have been sited. Do not advance screws too far; due to their tapered design, they will become loose if they are backed out.



This shows the proximal metacarpal screw in place. The LONGER screw guide is now fully inserted into the template and the procedure is repeated, starting with a stab incision as before.



The second metacarpal screw is shown being inserted.

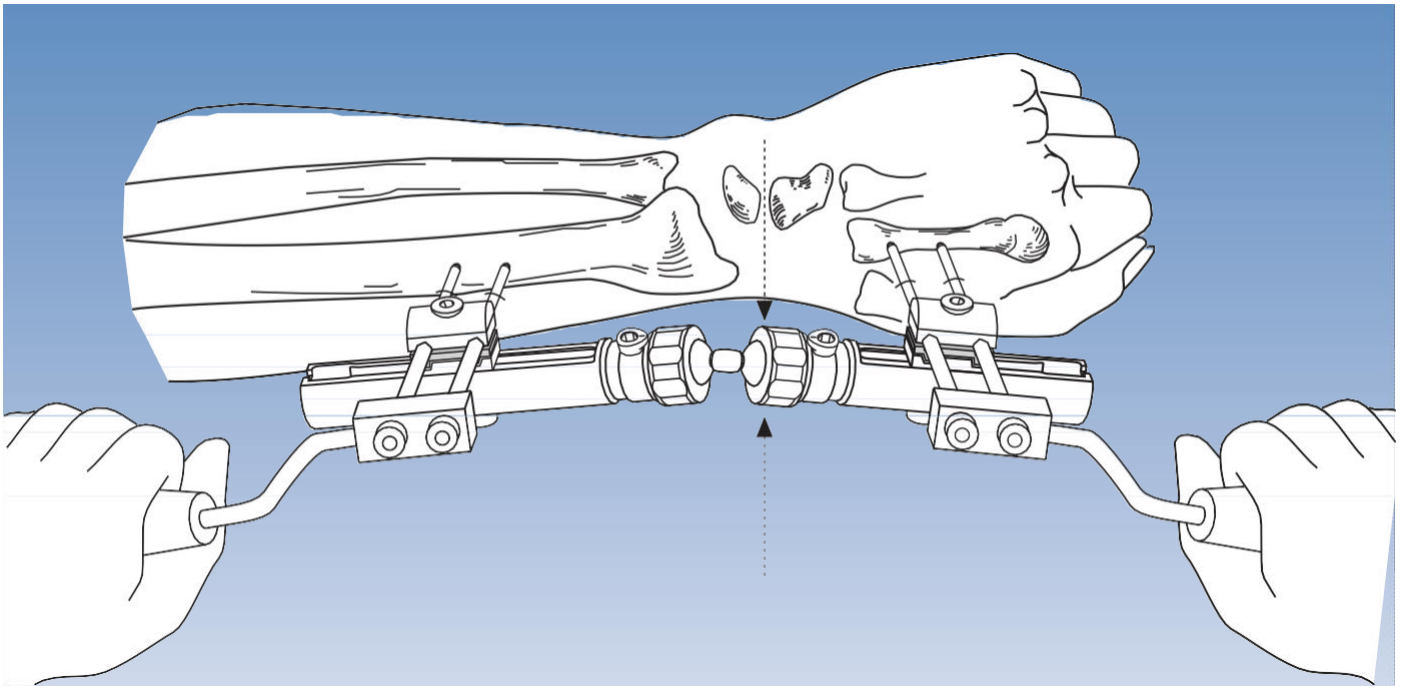


Insertion of the Proximal Screws

Prior to insertion of the screws into the radius, the bone is exposed following a 25 mm long incision with the distal radial screw being placed no closer than 40 mm to the fracture site.

Care should be taken not to sever the superficial branch of the radial nerve or any extensor tendons. Blunt retractors should be used.

The steps described for insertion of the metacarpal screws should now be repeated for the two radial screws. At this point full penetration of the far cortex by all four screws is checked with the Image Intensifier. **Do not advance screws too far, as due to their tapered design they will become loose if they are backed out.**



Fixator Application

The fixator should be fully assembled exactly as shown on page 11. It is essential that the dot on the cam is facing the threaded neck before each security collar is tightened. **Failure to follow this procedure exactly may result in loosening of the collars.** The collars are now fully screwed home. With all other screws loosened, the fixator is applied to the bone screws already in situ, positioning it at a distance of 15-20 mm from the skin. Reduction of the fracture is now carried out under image intensification. The two templates with handles with their screw guides in place (see figure above) may be used to manipulate the fragments while distancing the surgeon's hands from the radiation beam.

The design of the fixator with its double ball-joint is such that the fracture fragments can be manipulated in any plane during reduction. This feature is complemented by the fact that the clamps for the bone screws can both slide and swivel on the fixator module as required.

Note: At this point, it is imperative to ensure that the distal ball of the double ball-joint is aligned with the center of rotation of the wrist (the lunate-capitate joint line). Correct positioning can be checked using a K-wire and image intensification. The center of the anatomical snuffbox is used as a landmark.

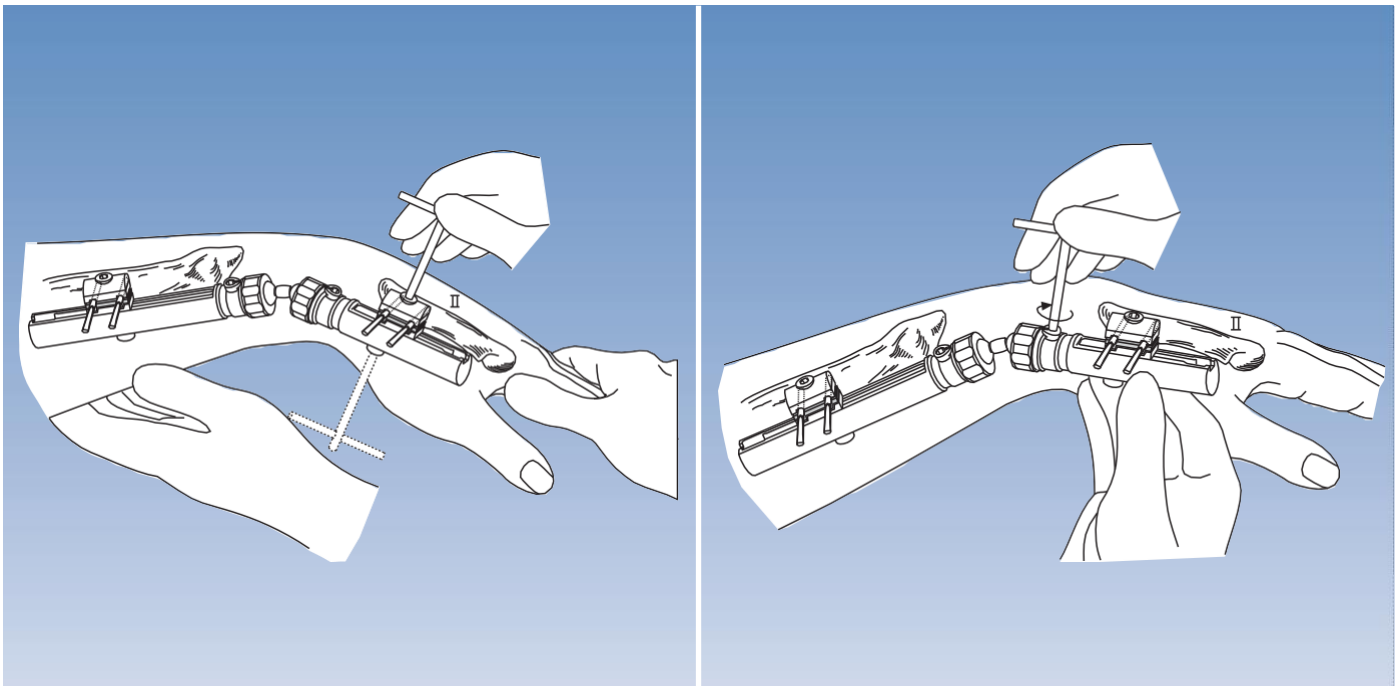
REDUCTION TECHNIQUES

It is important to achieve reduction using gentle manipulation. Excessive flexion, extension or radial abduction should be avoided. It is preferable to push the fragments into place using digital pressure. Traction is only applied manually.

If the radial length has not been restored, grafting (using cancellous bone from the iliac crest) should be carried out.

Grafting should similarly be carried out if there is persistent radial angulation. In intra-articular fractures, displaced articular fragments may be elevated by limited open reduction and subsequently stabilized using the Waston Fragment Fixation System.

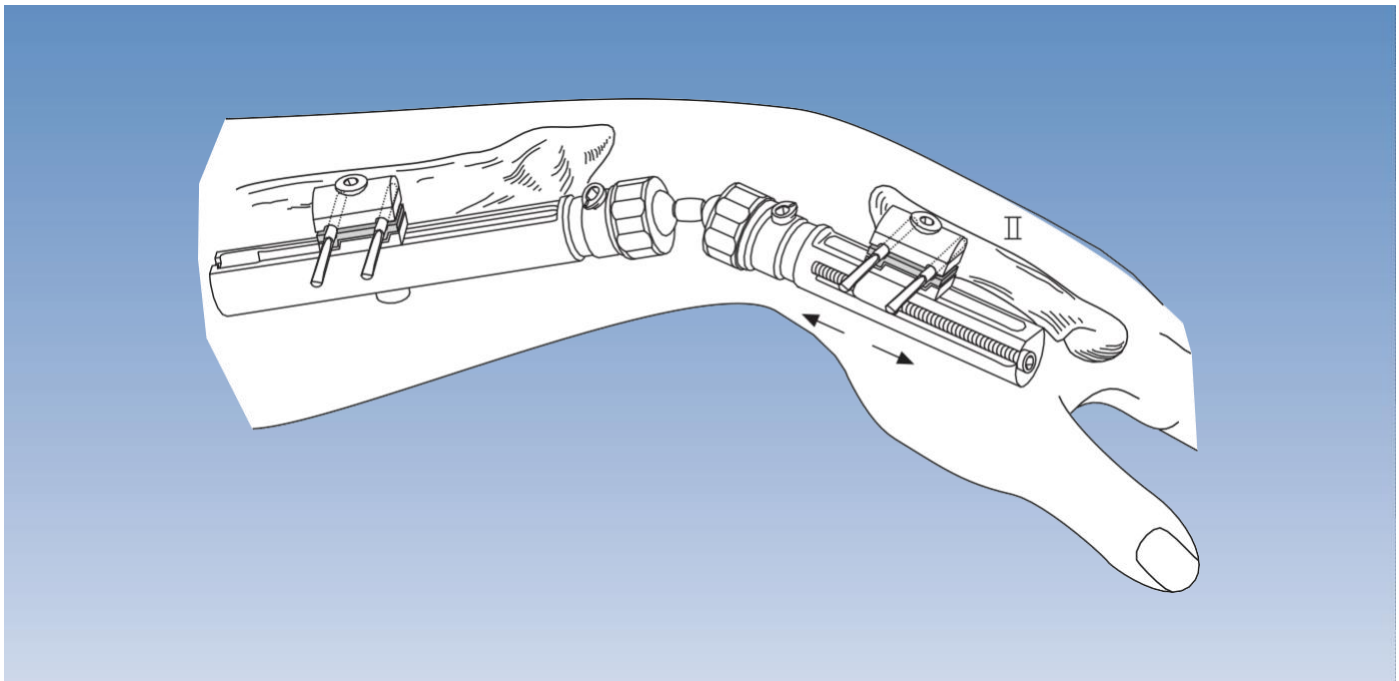
Associated fractures of the ulna or carpal bones should be treated as separate injuries.



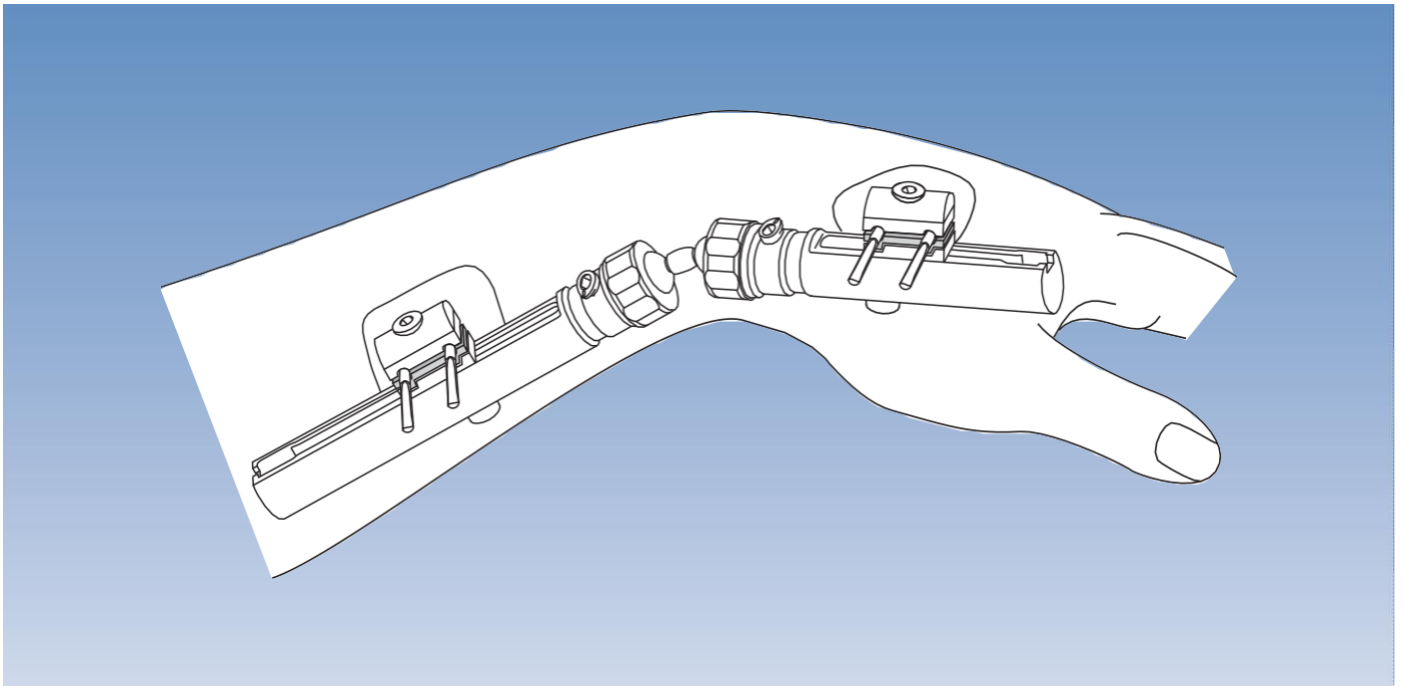
Once reduction has been achieved, all clamp cover and clamp anchoring screws are tightened using the T-wrench or Allen wrench, ensuring that bone screws are housed in the clamp and base plate seats. **Take care that the fixator module is held firmly while tightening to avoid loss of position.**

This illustration shows tightening of the double ball-joint.

The cam is turned **clockwise** until very tight.

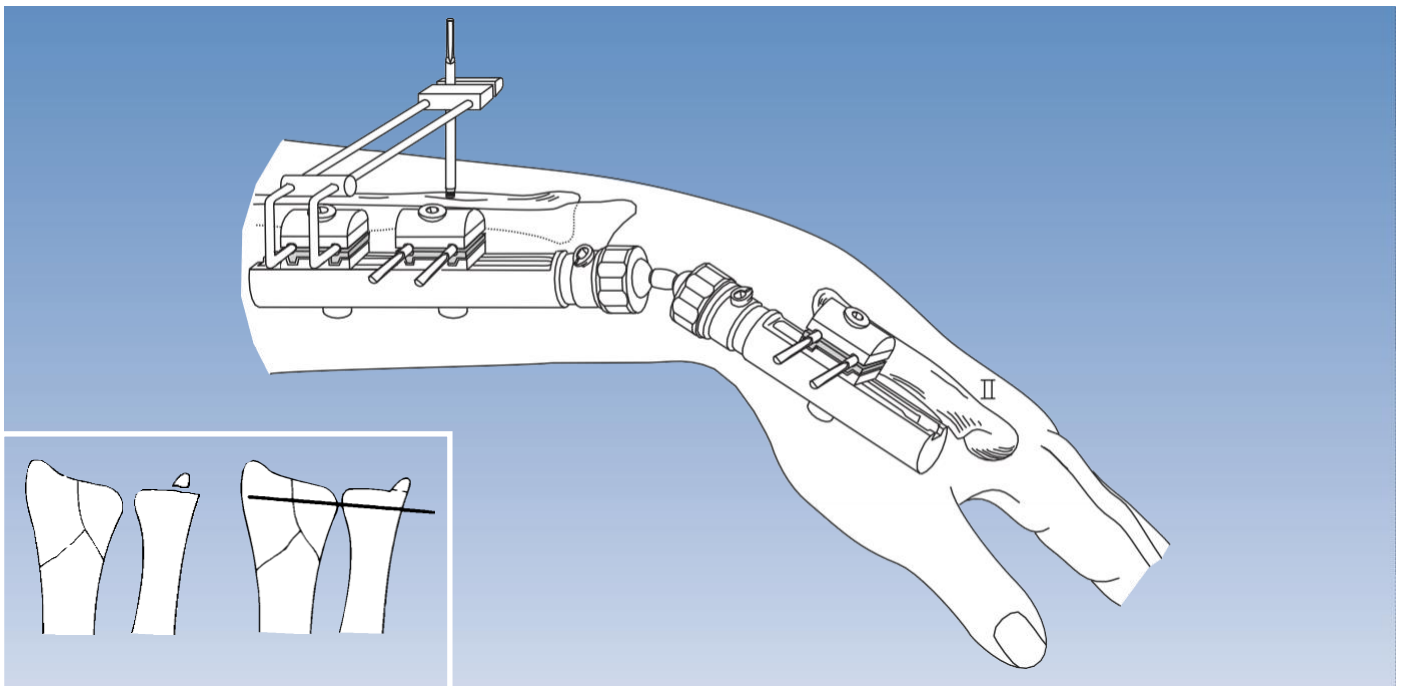


In cases where treatment has been delayed, the compression-distraction module may be used and the wrist joint **temporarily** distracted in a gentle manner to allow joint reconstruction and/or bone grafting. The over-distraction **must be** released at the end of surgery.



At the conclusion of the operation, all blood is removed from the skin. A suture may be used for the radial incision. The incisions are now observed while moving the fingers, to detect any skin or soft tissue tethering around the screws which, if present, may require additional skin/soft tissue release. Dry, sterile dressings are applied as shown. It is important to exert gentle pressure with the dressing on the skin to reduce fluid formation beneath the skin edges. A cloth tube may be applied to protect the patient's clothes and the fixator.

Pin Site Care: Dressings should be changed 2 to 3 times per week for two weeks and subsequently once a week in the presence of normal pin sites.



USE OF THE ULNAR OUTRIGGER CLAMP

In cases of radio-ulnar instability or an injury to the ulnar disc, the ulnar outrigger clamp (D4002) may be used. This device is mounted on a second screw clamp on the radial (long) module. The fixator is used in the manner illustrated to stabilize the radial fracture. The ulna must then be reduced in the **neutral position** and one or two ulno-radial K-wires (1.5 mm) used to secure the distal radio-ulnar joint temporarily. A single 70/20 or 80/35 mm screw is then introduced into the ulna following the steps described above. The screw enters the ulna dorsally, so cautious drilling is important to avoid injury to the ulnar artery or nerve. The K-wire(s) are removed at the end of the operation.

This procedure makes pronation and supination impossible. Removal of the outrigger and its screw can be carried out after three to four weeks when healing of the injured structures can be assumed. The outrigger should be removed first and gentle pronation and supination performed. If there is significant pain associated with these movements, the outrigger should be replaced and left in place for at least two more weeks.

Since this technique will be used in cases involving substantial injury to the wrist, the final result will be greatly influenced by the extent of the damage.

POST-OPERATIVE MANAGEMENT

1. Patients are encouraged to use their fingers, exercise and also to carry out simple procedures such as brushing their teeth or holding a glass, from day one. They are not allowed, however, to lift or push heavy items.
2. **Pin Site Care:** See page 18.
3. **X-ray Assessment:** This should be carried out on days 1, 7, 14 and 21 and prior to fixator removal. Retightening of all fixator screws should be carried out on days 1, 7, 14 and 21.
4. **Wrist Mobilization:** If controlled wrist mobilization is desired at about 3 weeks post-operatively, the distal ball-joint aligned with the center of rotation of the wrist may be loosened by unlocking the cam. This will allow 40-50 degrees of flexion and extension of the wrist. **It is essential to ensure that the security collars are fully tightened and this should be checked at regular intervals.** The patient should now practice flexion and extension². Provided the fixator has been applied correctly, radial shortening and fracture fragment displacement cannot occur during wrist movement, because the rotational axis of the fixator is external to the rotational axis of the wrist. If significant pain at the fracture site is reported by the patient on mobilization, the ball-joint should be locked for another week after which a further attempt at wrist mobilization may be made.
5. **Fixator Removal:** As a general rule, the fixator can be removed after 6 weeks. However, healing should be confirmed radiologically, since fracture patterns show considerable variation and longer application times may be required in some instances.

LIMITED INTERNAL FIXATION WITH THE WASTON FRAGMENT FIXATION SYSTEM

If internal fixation is indicated due to the fracture pattern, special fixation wires are available.

This system combines the simplicity of a Kirschner wire with the secure fixation of a screw. When drilling through the fractured fragment, reduction is maintained by pushing against the fragment and slipping of the fragment avoided when the shoulder of the larger polished shaft reaches the cortex. Pre-operative measurement of the required length should be carried out on the fracture X-ray. Penetration of the opposite cortex may be necessary in osteoporotic bone, but in general is not required. It is important to use a drill with clockwise and counterclockwise rotation capability.

BONE SCREW ANCHORAGE IN OSTEOPOROSIS

Osteoporosis particularly affects the trabecular structure of cancellous bone. The proximal metacarpal screw is placed at the junction of metaphysis and diaphysis, and the bone in this area might feel soft during drilling. If a surgeon feels that additional anchorage is required, the number of cortices engaged can be increased. This should NOT be achieved by drilling through the third metacarpal, but by sliding another clamp (D4008) on to the short module of the fixator (D4005) and adding a third screw, which is engaged in the diaphysis. Standard screws should be used with a thread diameter of 3.0-3.3 mm. It is important to aim for the center of the bone to ensure maximal screw grip.

INDICATIONS FOR THE USE OF THE SMALLER SCREW

Screws with a thread diameter of 2.5-3.0 mm, 70/20 length are now available together with a special 2.0 mm drill bit and drill guide (see page 10).

The shank size is the same as that of the standard screw (4.0 mm). **THESE SCREWS ARE NOT TO BE USED IN OSTEOPOROSIS**, because the force at the bone-screw interface is increased if the screw has a smaller diameter. They are supplied for use when the metacarpal diameter is too small for the standard screws. This may be the case in populations of smaller stature and in younger patients. Even in these patients, the metaphysis will probably accommodate a standard screw and this should be used when possible. **The smaller screw should be reserved for diaphyseal fixation when the outer diameter of the bone is less than 9 mm.**

IT IS IMPERATIVE THAT THE APPROPRIATE DRILL SIZE IS USED FOR THE THREAD DIAMETER OF THE SCREW SELECTED. If the 2.0 mm drill bit is used instead of the 2.7 mm drill bit for standard screws (3.0-3.3 mm), screw insertion may cause microfractures, with early screw loosening. Alternatively, if the standard 2.7 mm drill bit is used for the small (2.5-3.0 mm) screws, fixation will be inadequate because the pilot hole will be too large. (see page 10).

INTRODUCTION

Loss of the correct anatomy of the wrist joint after trauma has been shown to cause pain, loss of function and may lead to arthritis. The symptoms will be a particular handicap to patients who need a strong mobile wrist joint for work, sport or other daily activities, and in all situations affecting the dominant hand.

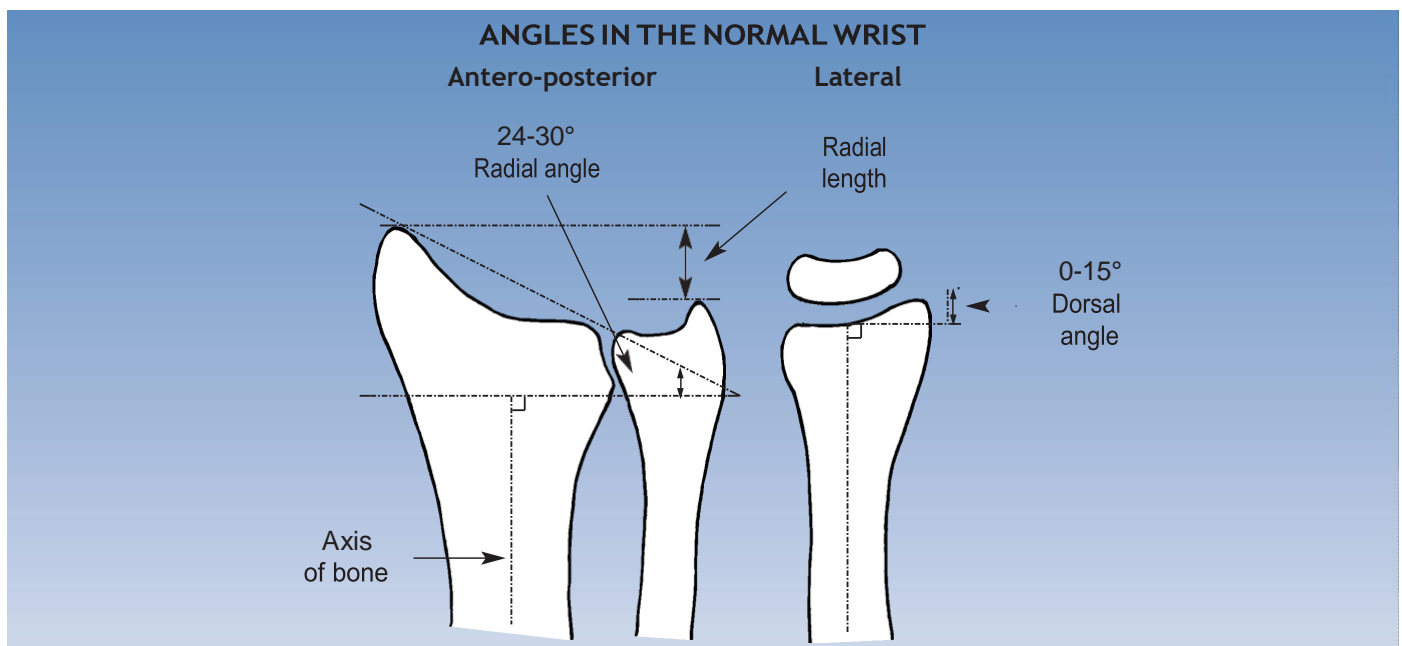
It is possible to use this fixator to correct the deformity and thereby restore normal function and prevent the development of arthritis. The aim of the treatment is to restore radial length and the angle of the radial articular surface in both planes.

The majority of cases will be post-traumatic in adults, but the technique can also be used in cases of congenital malformation or in the late results of distal radial growth plate injuries.

The best time to intervene following a fracture is about 9 to 12 months after injury. This delay will allow for full bony healing and for the quality of the bone stock to return to normal. If significant osteoporosis persists, the following procedures should be delayed until the bone stock has improved.

OBJECTIVES AND PRIORITIES

These are the correction of radial length, radial angle, radial shift and dorsal angulation. In some cases the restoration of normal or near normal anatomy may be only the first step in the treatment of a post-traumatic deformity of the wrist. Additional measures may be necessary and the standard techniques of hand surgery must be followed.



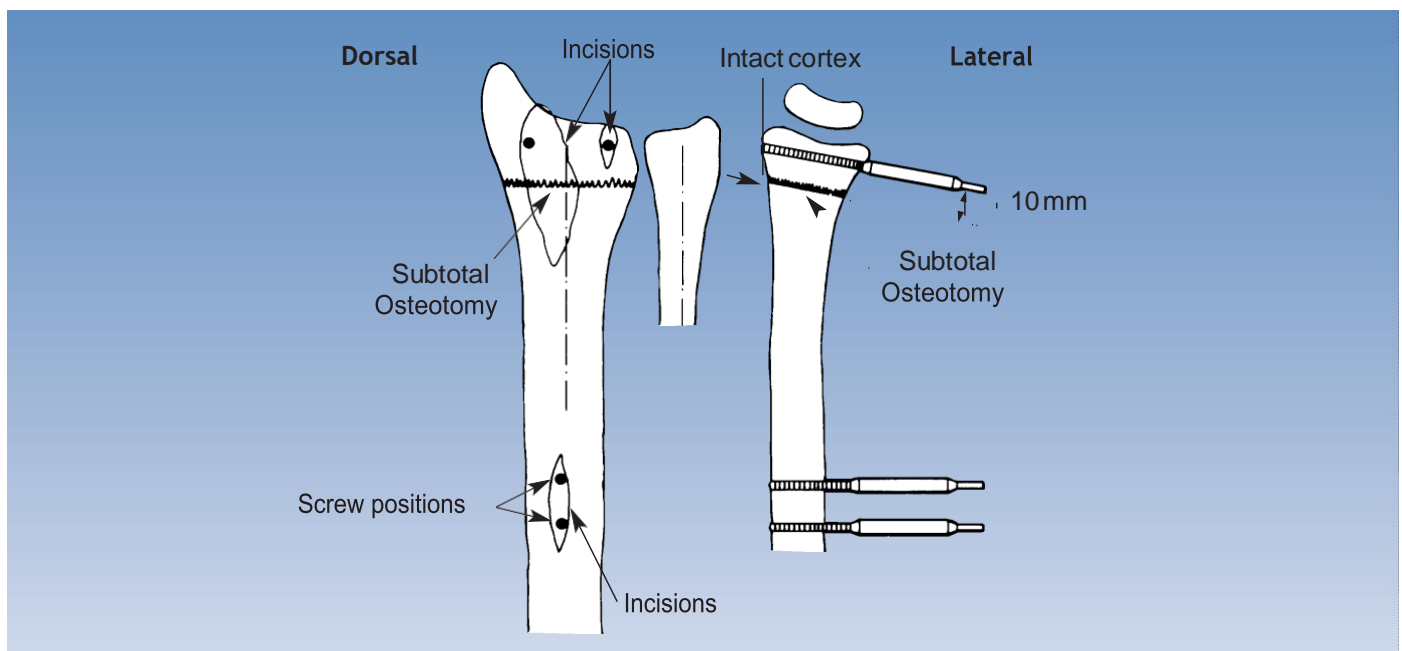
PLANNING THE OPERATION

The steps required to restore the normal anatomy should be planned carefully preoperatively. The antero-posterior and lateral views in this diagram show the normal anatomy with a radial angulation of 24-30° and a dorsal angulation of 0-15°. However, there may be considerable individual variation and where possible **it is strongly recommended that comparison is made with a radiograph of the opposite normal wrist.**

The operation will involve one or more of the following procedures:

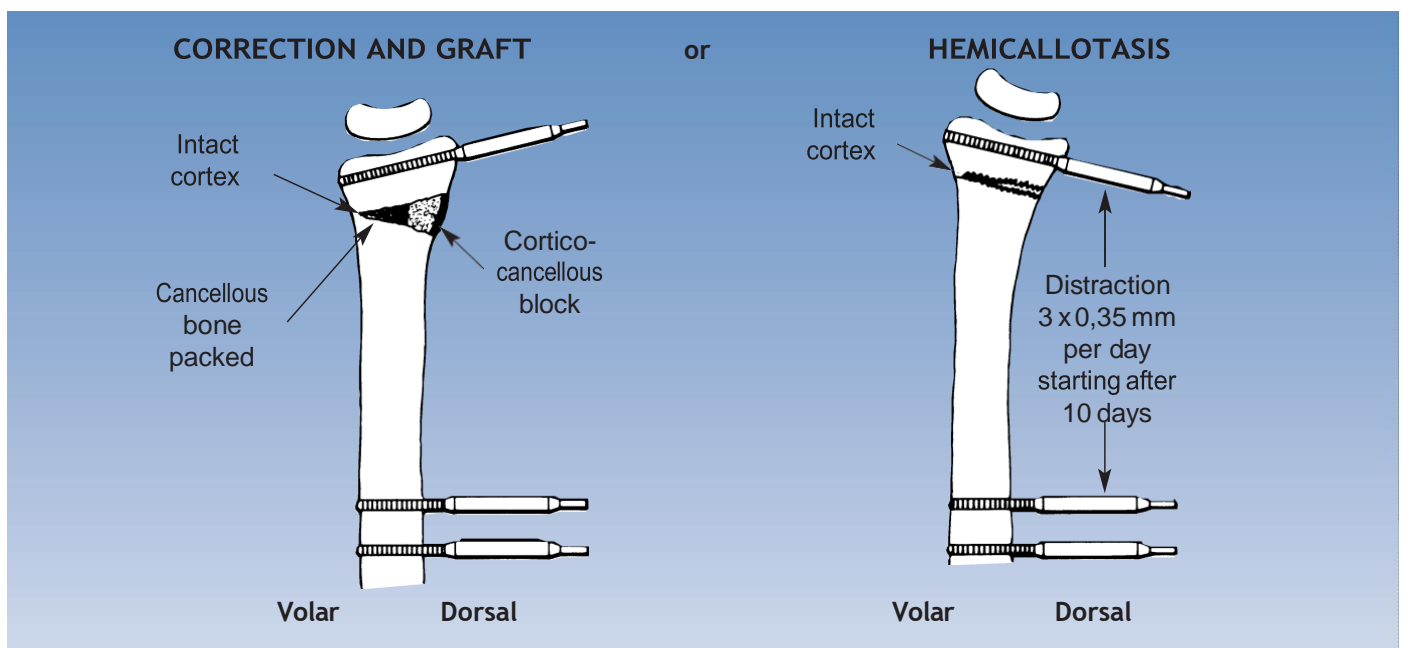
- restoration of dorsal angulation;
- restoration of radial length;
- restoration of radial angulation;
- correction of radial shift.

Correction of radial length or radial shift and any combination of deformities will require a complete osteotomy. Correction of isolated radial or dorsal angulation will require a subtotal osteotomy with the radial cortex intact on the ulnar or volar side.



LOSS OF DORSAL ANGULATION

When there is loss of dorsal angulation, the AP view is normal, but the lateral view shows the abnormal angle of the distal radial articular surface. This is the example used in the description of the operative technique (see page 31). The osteotomy is 10 mm proximal to the distal screws and is partial, leaving an intact volar hinge.



CORRECTION OF DORSAL ANGULATION

This can be achieved by:

- a) immediate correction and graft, or
- b) hemicallotasis.

The two methods of correction depend on the preferences of the patient and the surgeon. The advantage of hemicallotasis is that no graft is required and that correction is achieved gradually rather than instantly. Also, the final position may be more accurate when it is achieved gradually with monitoring. The fixator will be in place for about three additional weeks.

The detailed operative techniques for these two methods are described on pages 31 to 36. It should be remembered that hemicallotasis will correct dorsal angulation only and the presence of any other deformity requiring correction is an indication for intraoperative correction and grafting.

A summary of the procedures used to correct other deformities at the wrist joint is given following the main operative technique (see pages 37, 38).

EQUIPMENT REQUIRED

Pennig Dynamic Wrist Fixator**for Extra-Articular Fractures (D403) consisting of:**

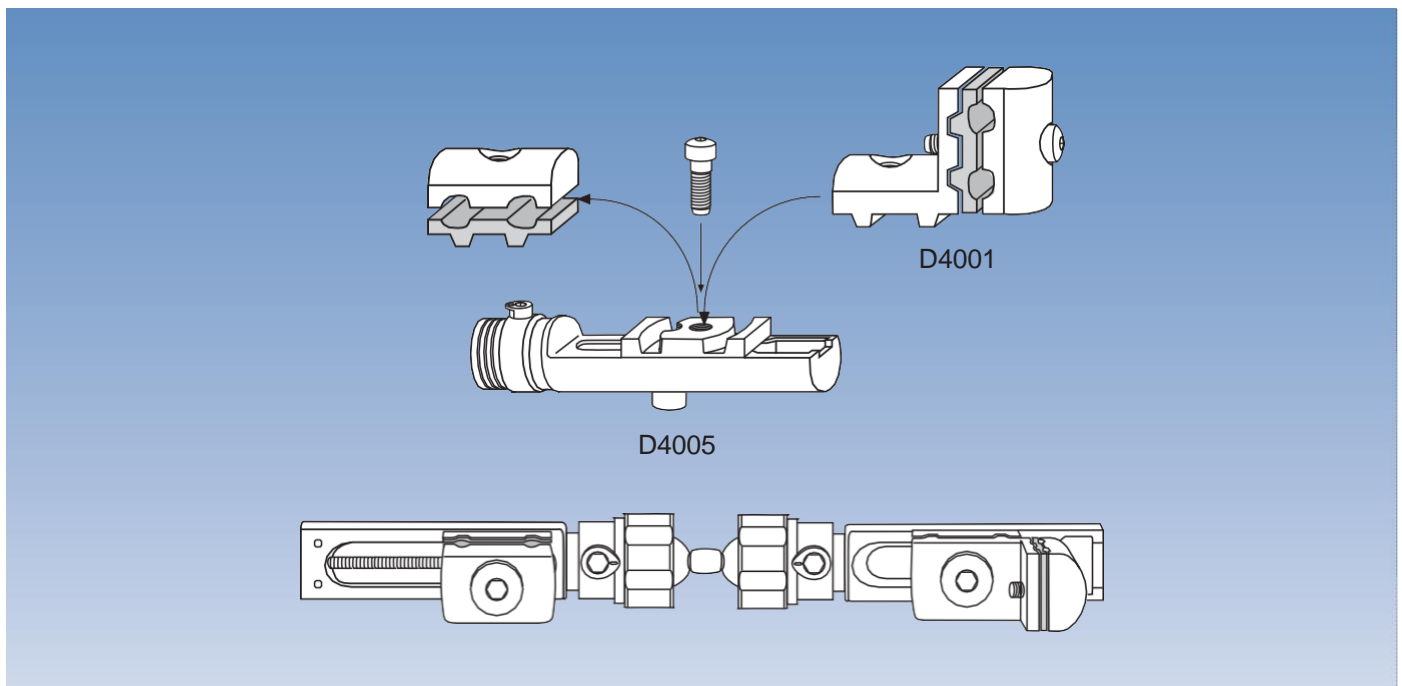
- 1 Compression-Distraction Module (D4006)
- 1 Short Module with T-Clamp (37011)
- 1 Double Ball-Joint (D4009)
- 2 Template/Conversion Clamps (D4011)
- 2 Screw Guides/Templates with handles (G13620)
- 1 Drill Guide 2.7 mm diameter (G13532)
- 1 Tapered Trocar (G13540)
- 1 Drill Bit Kit 2.7 mm diameter (G1100401)
- 1 T-Wrench for Clamp Screws (G10022)
- 1 T-Wrench for Bone Screws (G21000)
- 3 Cortical Screws 70/20,
3.0-3.3 mm thread diameter (PLT4020703033)
- 1 Cortical Screw 80/35,
3.0-3.3 mm thread diameter (PLT4035803033)

ADDITIONAL INSTRUMENTATION (not provided)

- 2 Langenbeck Retractors-Small
- Adson Forceps
- Scalpels (Nos. 11 & 15)
- Small Scissors
- Drill (Recommend BJ8103 Canulate Drill)
- Osteotome set
- 2 Kirschner Wires 1.5 mm or 1.6 mm

MAINTENANCE OF APPARATUS
AND STERILIZATION

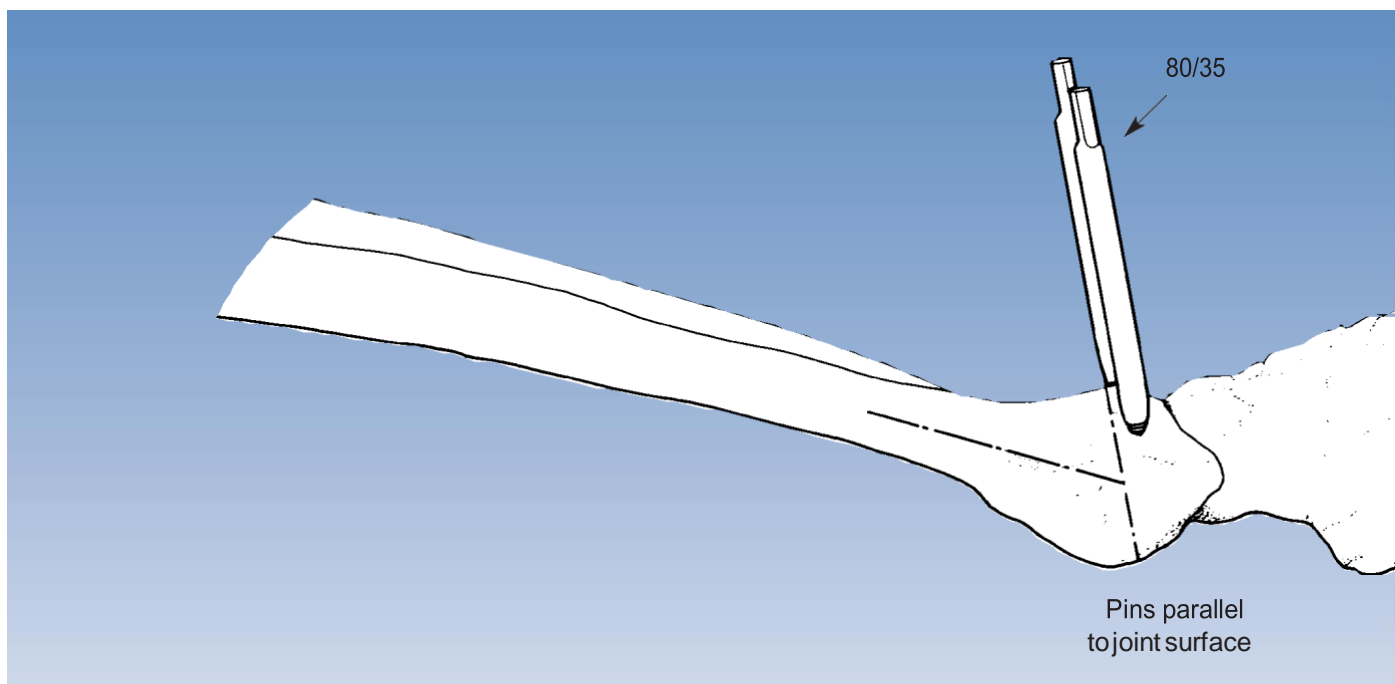
See under “Extra-Articular Application”, page 2.



If the extra-articular configuration is not available ready-assembled (D403), this may be constructed following the steps described on page 4.

The cams and bushes should be assembled exactly as on page 3. REMINDER: the dot on the cam must be facing the ball-joint. The collars on the ball-joints should then be screwed home fully. They cannot be screwed home fully if the cam is in any other position.

The complete fixator consists of the compression-distraction module with a straight clamp placed nearest to the ball-joint end, the double ball-joint, and a short module with a T-clamp.



OPERATIVE TECHNIQUE

Immediate Correction and Graft

Summary of Procedure:

The operation will be considered under the following headings:

Stage 1. Harvesting of Bone Graft

Stage 2. Selection and Insertion of Screws

Stage 3. Osteotomy

Stage 4. Correction and Grafting

STAGE 1: Harvesting of Bone Graft

The bone graft is taken first, before the radius is approached. The size of the graft should be estimated by pre-operative planning. It should be harvested as a cortico-cancellous block from the inner table of the ilium. A larger piece than necessary is taken together with a supply of cancellous bone chips.

STAGE 2: Selection and Insertion of Screws

80/35 or 70/20 screws are used (depending on the dimensions of the bone and the soft tissues); thread size 3.0-3.3 mm; drill bit 2.7 mm.

A hand table is used and a tourniquet is mandatory.

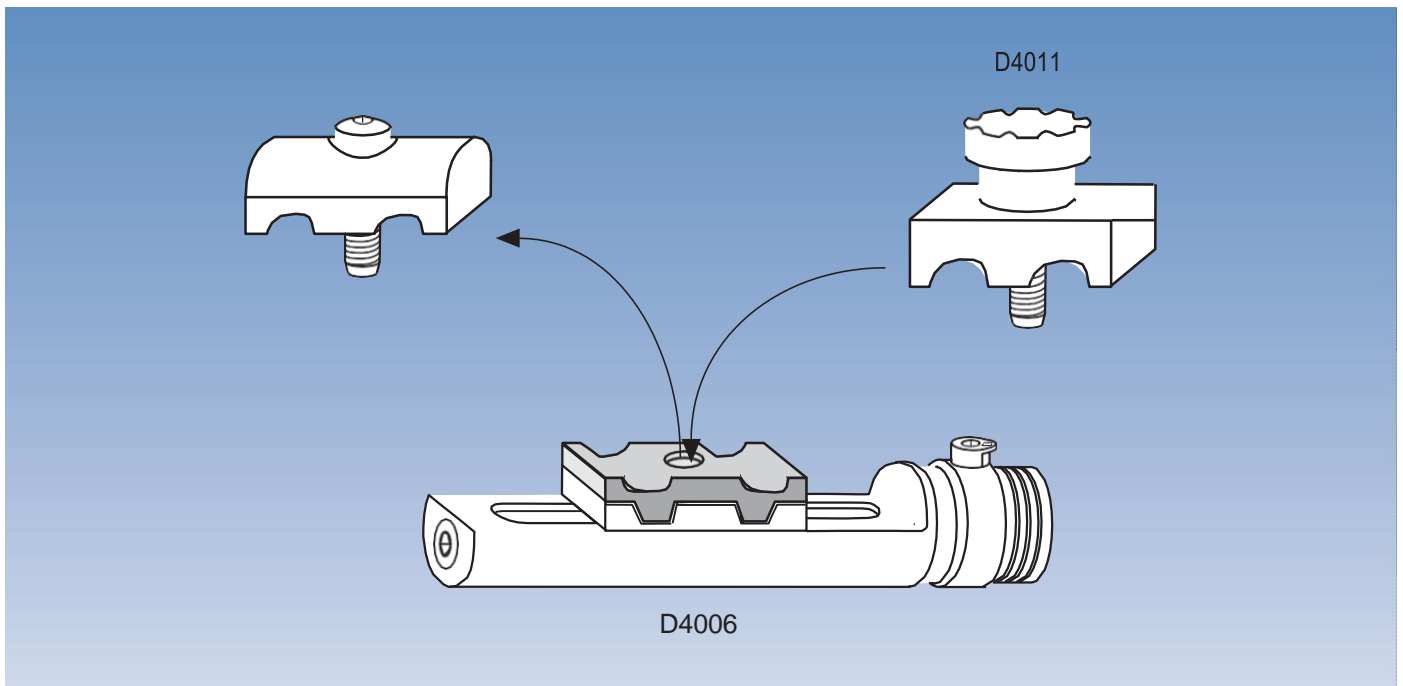
The standard procedure consists of:

(a) Insertion of the Distal Screws

It is important to expose the bone and position the screw guides under direct vision to avoid injuries to tendons and nerves. Drilling must be performed with extreme caution in order to avoid neurovascular injury to structures on the volar side of the radius.

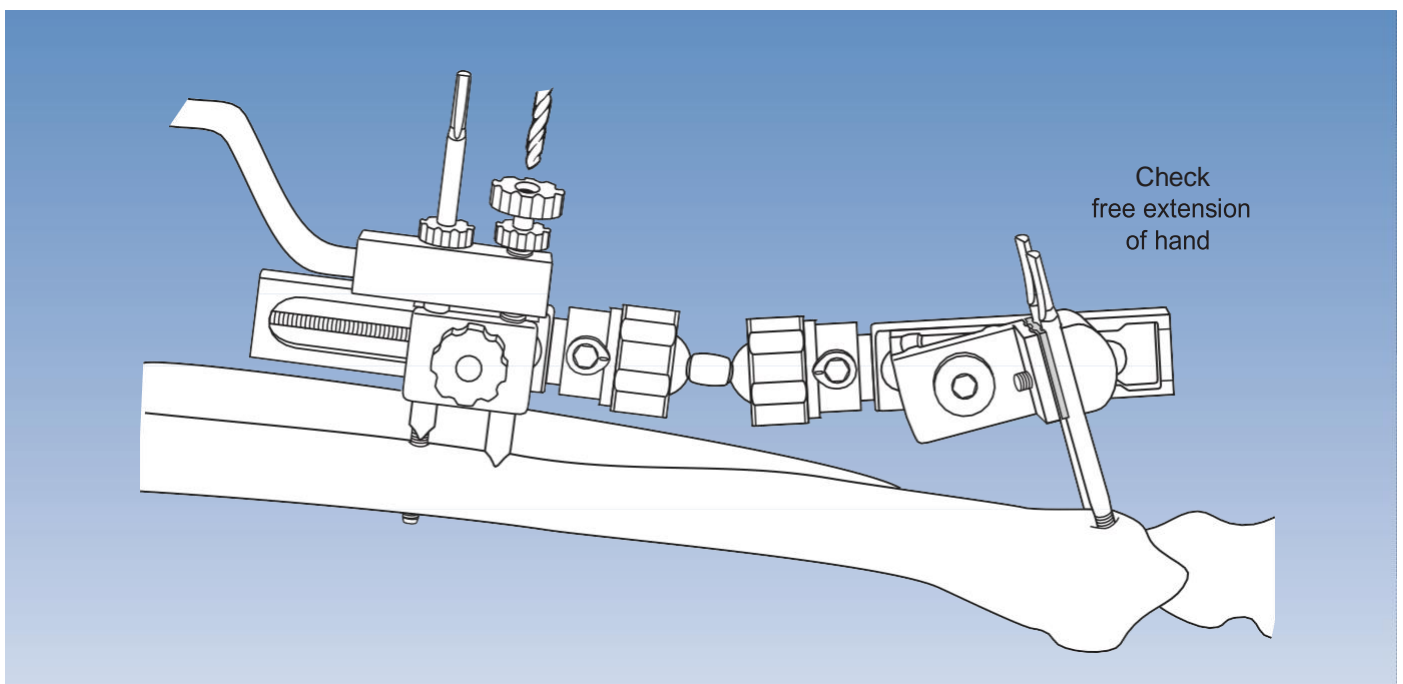
The distal screws should be inserted **strictly in the sagittal plane and parallel to the distal radial articular surface** (see fig. above).

A three to four centimeter incision is made from the end of the radius proximally. Further dissection should deflect the extensor digitorum tendons to the ulnar side and the extensor pollicis tendon to the radial side. The first screw is inserted within this incision into Lister's tubercle. A second, one centimeter incision is made on the ulnar side of the radius for placement of the second distal screw.



(b) Insertion of the Proximal Screws

The proximal screws are inserted with the template/conversion clamp (D4011) temporarily replacing the cover of the straight clamp on the compression-distraction module, as shown in the figure above.



The fixator is now applied with the distal screws in the T-clamp. The distal clamp should be near the middle of the module, whereas the proximal clamp on the compression-distraction module is moved as close as possible to the ball-joint.

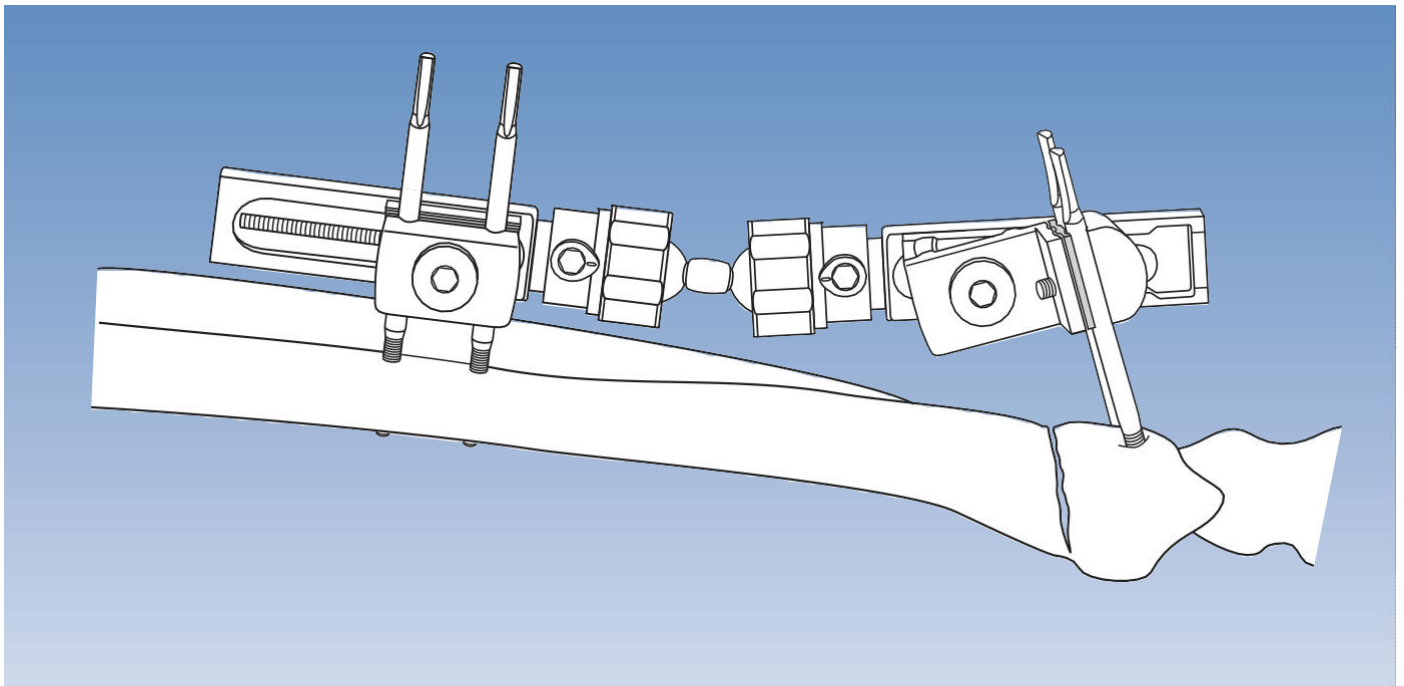
The fixator is aligned so that both modules are parallel to the long axis of the radius. The incision should be near the junction of the middle and distal thirds of the bone. The position of the skin incision is marked and the fixator is swung aside to allow access.

A 2.5 cm incision is made and the radius exposed prior to drilling and screw insertion. The soft tissues are again carefully dissected down to the bone and protected with retractors. Special care is taken to avoid damage to the superficial branch of the radial nerve.

The longer of the two screw guides is removed from the template with handle (G13620) and the shorter guide is inserted into the proximal hole of the template/conversion clamp. A drill guide is inserted into the screw guide and the bone is drilled with a 2.7 mm drill bit, using the drill stop when the distal cortex is reached, to prevent tissue damage on the volar side. This screw is now inserted.

The longer screw guide is now screwed into the template (see figure) and the second screw is inserted with the same precautions.

The Image Intensifier is used to check that all four screws penetrate the distal cortex. The fixator is now removed to allow free access for the osteotomy.



STAGE 3. Osteotomy

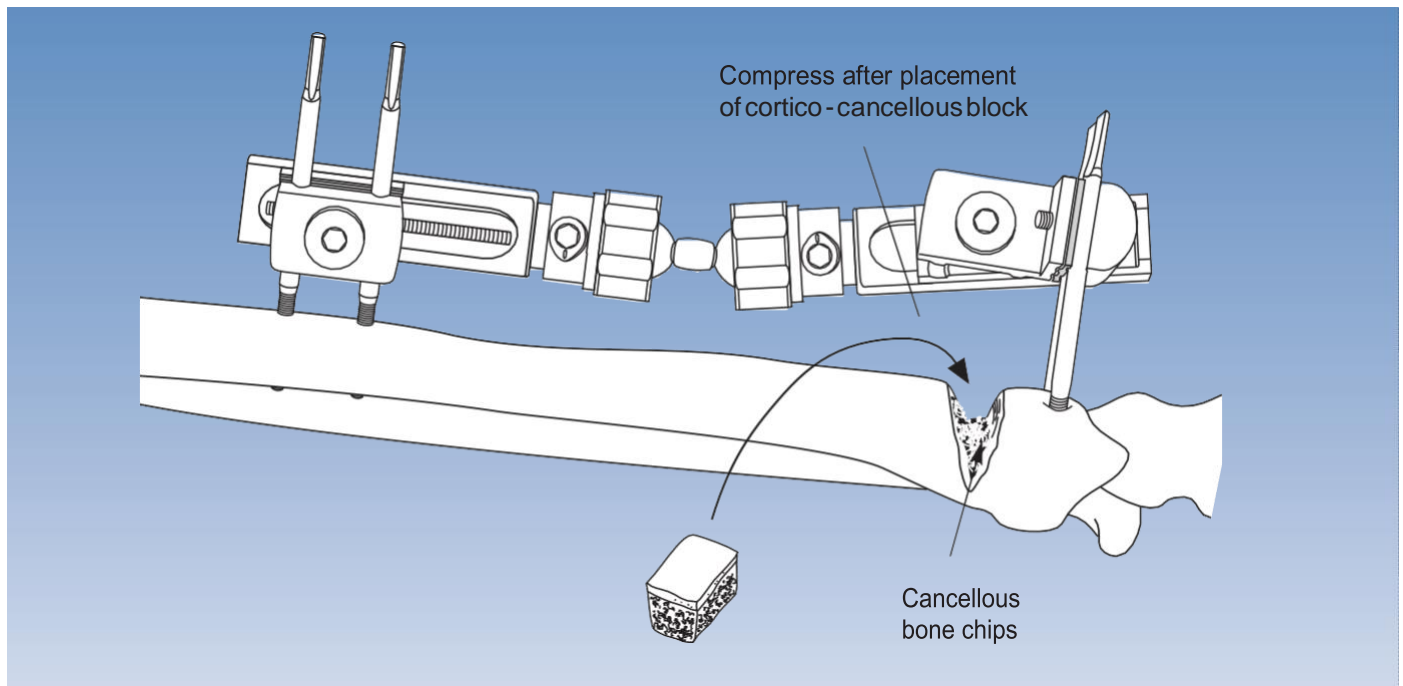
The type of osteotomy performed will depend upon the correction required. If correction is needed in one plane only, the osteotomy can be subtotal and the distal fragment turned into position by hinging on the opposite intact cortex. If more than one plane of correction is required, osteotomy must be complete.

The osteotomy is performed through the larger skin incision. The soft tissues are again protected and a line of drill holes made about 10 mm proximal to the distal screws, using the drill stop to protect the tissues on the volar side of the radius.

The osteotomy is completed with an osteotome. It is opened manually to ensure that it is adequate and the templates with handles with screw guides in place may be used to provide better leverage.

The fixator is now reapplied, ensuring that the modules are parallel to the long axis of the radius. The ball-joints and all other screws are loose at this stage.

The osteotomy shown here is subtotal, allowing for correction of dorsal angulation only.

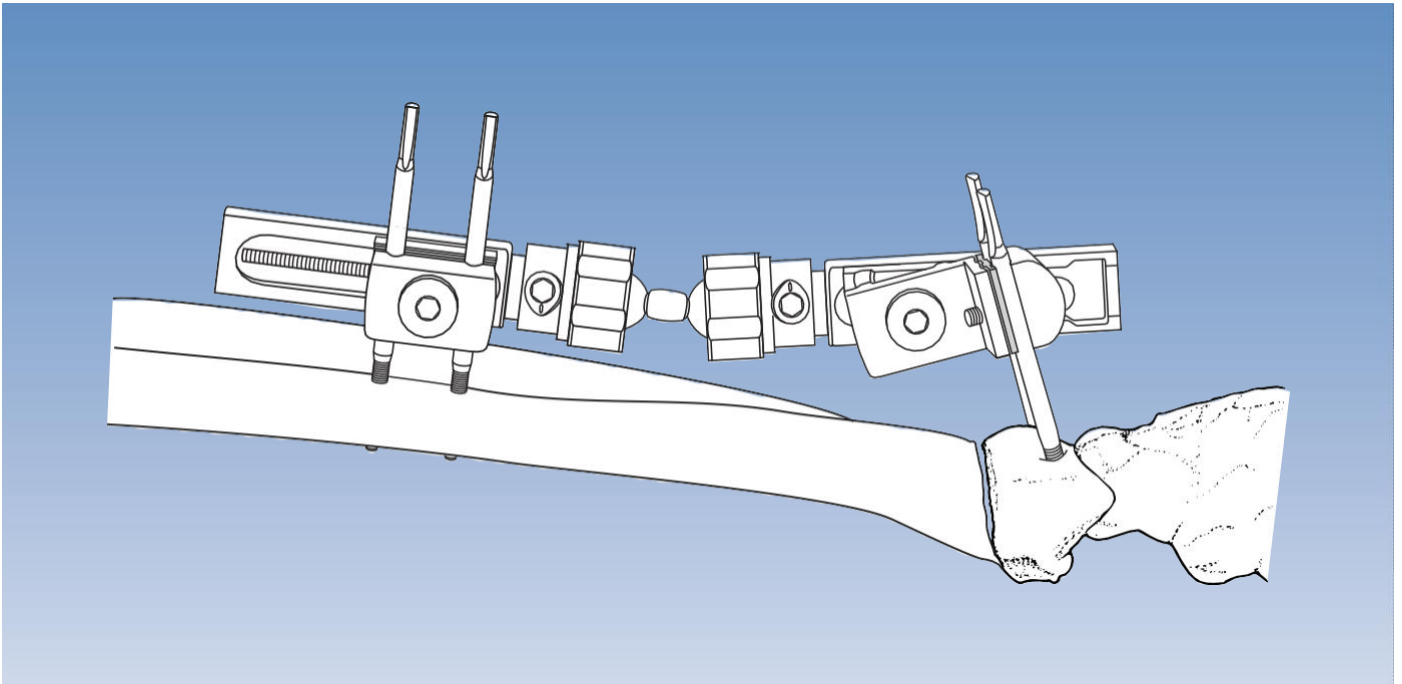


STAGE 4. Correction and Grafting

The osteotomy is now opened to correct the deformity. If the deformity has been present for some time, a smooth correction can be made with the aid of the screw guides in the templates with handles placed over the screws, with the fixator in place, to obtain gentle leverage. The distraction unit may be used to obtain final, accurate correction. A slight overcorrection is made initially to allow for insertion of the graft. The base of the osteotomy is packed with bone chips and the cortico-cancellous block, trimmed to size, is inserted in the widest part of the osteotomy. All fixator screws are now tightened, with the exception of the screw by which the T-clamp is attached to the clamp base. The graft is now gently compressed with the compression-distraction module by turning the central screw counterclockwise and the final position checked with the Image Intensifier. The T-clamp screw is now tightened.

The osteotomy wound is closed in layers and sutures are also placed in the pin insertion wounds. The fixator is left in place for about 6 - 8 weeks, until union is achieved.

Depending upon the severity of the deformity and the original injury, the patient may require some physiotherapy to restore function. This should be started immediately, avoiding heavy weights. Because the graft is compressed, the osteotomy is stable, and active mobilization of the wrist can normally be resumed within 2 weeks. X-rays are normally taken on days 1, 7, and 28, and again on day 56, if there is any doubt about union.



Alternative Procedure: Hemicallotasis

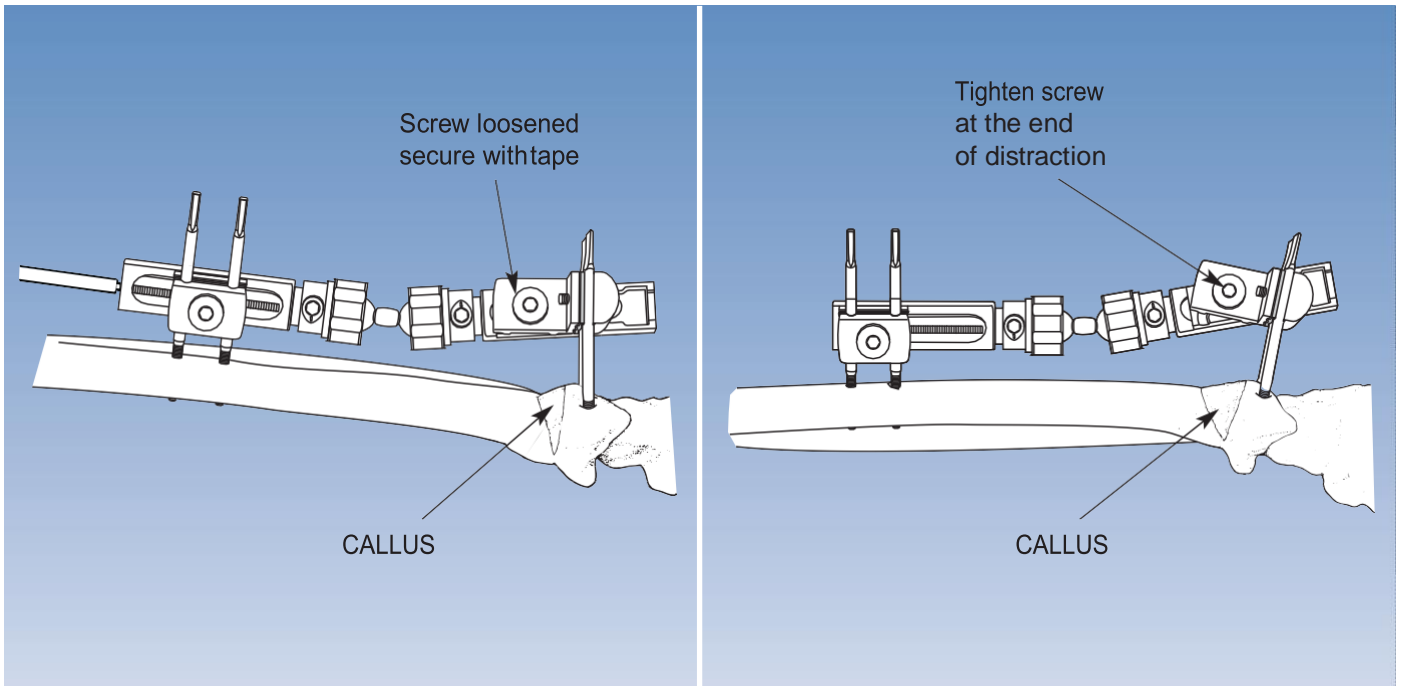
This procedure can be used for the correction of isolated dorsal angulation of the radius only, and the maximum correction possible is approximately 30 degrees.

The screws are placed as described above, with careful attention to the alignment of the fixator. In this case the screw on the base of the T-clamp must be positioned over the osteotomy, since the T-clamp will gradually rotate as the osteotomy opens (see fig. above and figs. on page 36).

The osteotomy is subtotal, through the dorsal, lateral and medial cortices, 10 mm proximal to the distal screws, with careful exposure of the bone and protection of the soft tissues. The periosteum, the prime cell source for callus formation, must be preserved.

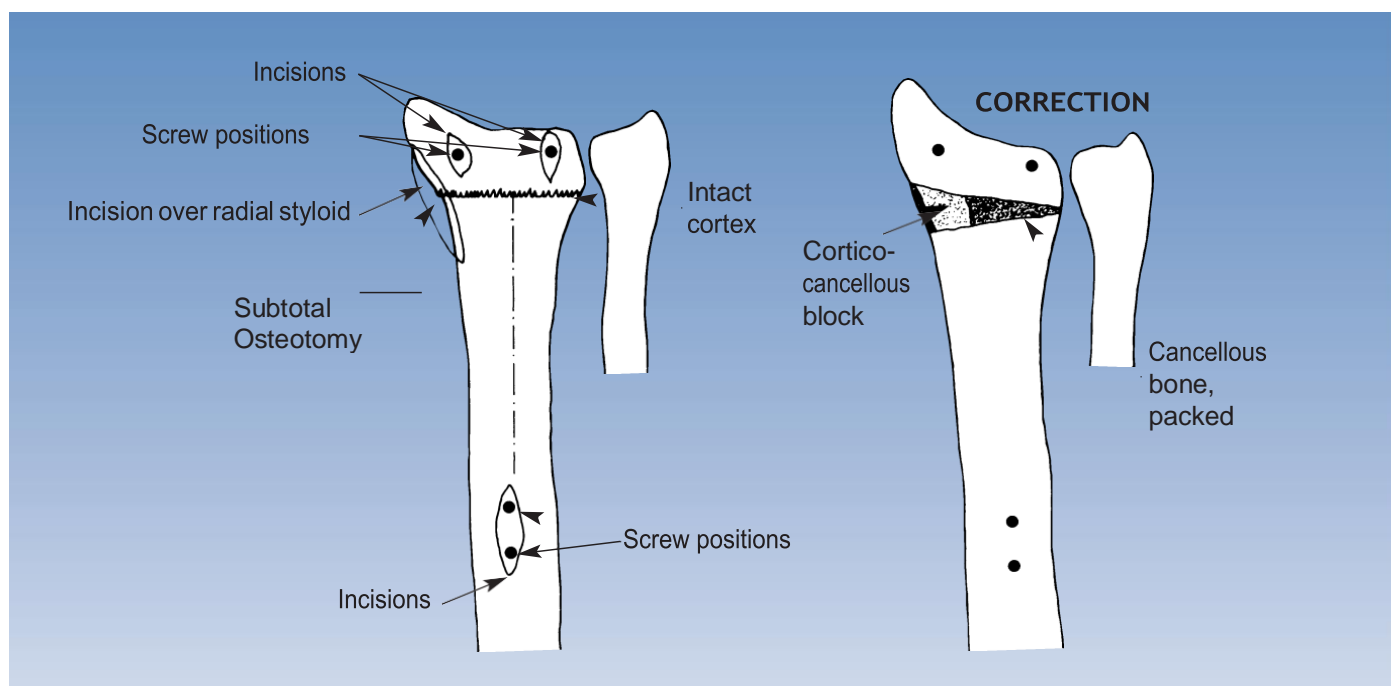
The osteotomy is carefully opened manually to confirm that it is adequate. The fixator is then applied, with the compression-distraction module proximal and the short module distal. The proximal straight clamp should be positioned at the distal end of the compression-distraction module.

The osteotomy is now closed, and the fixator screws and ball-joints all tightened. The screw by which the T-clamp is attached to the base of the distal clamp is left slightly loose, and the compression-distraction module used to check that the osteotomy will open correctly. The osteotomy is then closed completely with the compression-distraction module, and put into gentle compression by turning the central screw counterclockwise. The T-clamp screw is now tightened, and the periosteum and wounds closed with sutures.



The technique of hemicallotasis is now followed as described for other sites. The osteotomy should remain undisturbed for 10 days, or 6 days in children and patients with rapid ossification. At this point the screw holding the T-clamp to the clamp base is loosened slightly. We recommend that this screw is held in place with adhesive tape to prevent further loosening. Distraction is then started at a rate of one full turn of the compression-distraction module screw clockwise per day. It is suggested that one quarter turn (= 0.25 mm) is carried out every six hours, to achieve 1 mm of distraction per day. The rate of distraction should be temporarily increased where rapid ossification is observed, or reduced if ossification is slow. In younger patients, the rate of distraction should be 2 mm per day, half a turn (= 0.50 mm) every six hours. The maximum correction possible with this method is approximately 30 degrees. The progress of the opening of the osteotomy should be checked radiographically once a week.

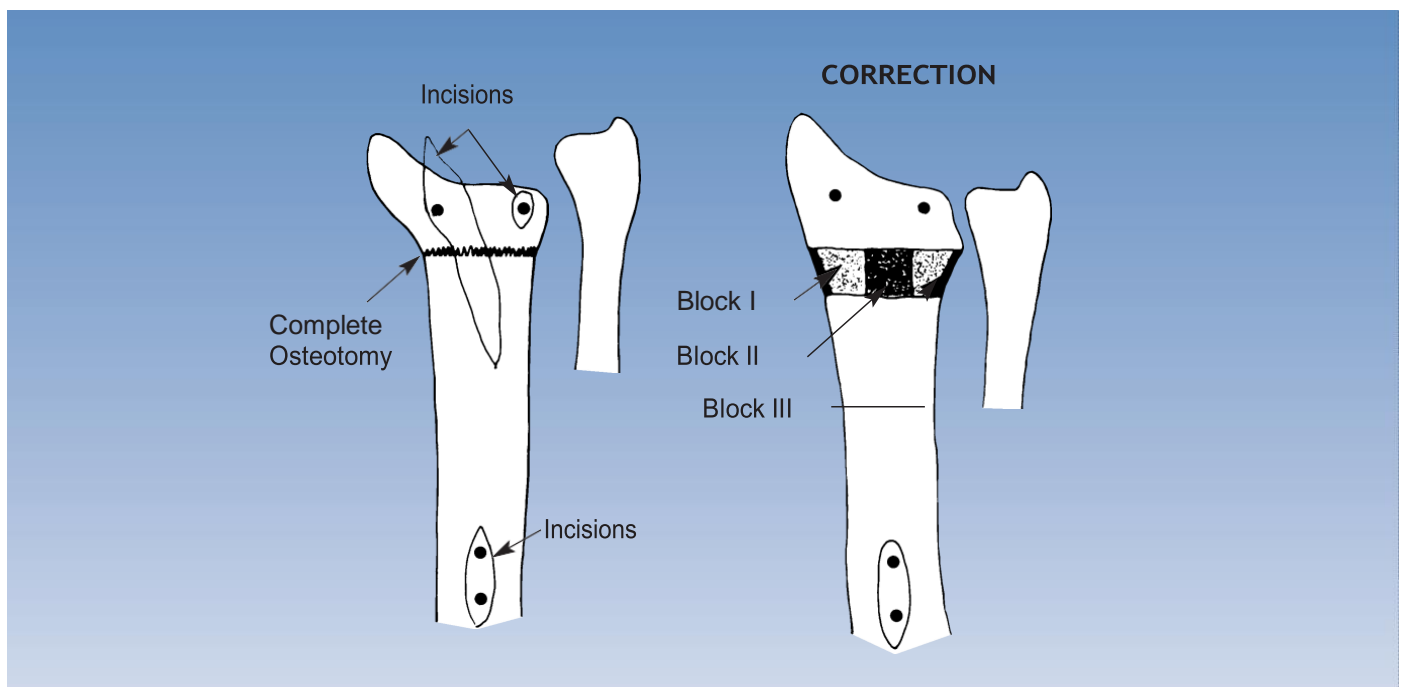
When the desired position has been achieved, the T-clamp screw is tightened, and the fixator left in position until the new bone has ossified sufficiently and the cortices have formed. This will occur after about two to four weeks. The fixator is then removed. The screws can be left in place for a few days before a final check to ensure that the radius has healed. They are then removed.



Correction of Radial Angulation

The above drawings show the position of the osteotomy for the correction of radial angulation. Note the incision over the radial styloid. The ulnar cortex of the radius is left intact and the osteotomy is opened slightly beyond the final position. The inner part of the osteotomy is packed with bone chips and a cortico-cancellous block is then inserted at the widest point.

The cortico-cancellous block is gently compressed with the compression-distraction module. The fixator is finally locked and left in place until union is complete.



Correction of Radial Length and Angulation

The osteotomy is again 10 mm proximal to the distal screws and this time it is complete. It can be performed with the drill initially, using the drill stop to prevent volar soft tissue damage, and completed with an osteotome. The radial anatomy is restored with the help of the templates with handles. The fixator is locked and radial length restored by opening the compression-distraction module.

The center of the osteotomy is packed with cancellous bone chips and the distal radial fragment is supported by three cortico-cancellous bone blocks as shown:

- Block I radial side
- Block II dorsal side
- Block III..... ulnar side

Any remaining gaps in the bone are filled with cancellous bone chips. The osteotomy is closed into the final position, gently compressing the grafts, and the fixator locked. It is left in place until union is achieved, which will be at about 8 weeks.

Correction of Radial Shift in Association with Shortening

The same procedure can be used for the correction of radial shift with shortening. The necessary translation to correct the position can be achieved with the double ball-joints loosened, moving the distal fragment as required. Again, it is helpful to slide the screw guides in the templates with handles on to the screws, with the fixator in place, to achieve better control.

CE 0123

WASTON[®]

Changzhou Waston Medical Appliance Co.,Ltd

Add: 9 Xihu Road,Wujin Hi-Tech Industry Zone,Jiangsu Province,China

Tel: +86-519-89888852

E-mail:info@wastonmed.com

www.waston-global.com