

FEATURES

- USB Type-C 2.2 and PD 3.1 V1.7 compliant
 - USB-IF Certified. TID: 9125
 - Support SOP' communication
 - Integrated transceiver (BMC PHY)
 - Support both structured VDM version 1.0 and 2.x
- High integration
 - Embedded both side Ra resistors
 - Embedded both side VCONN diodes
- Different package options:
 - DFN1.6×1.6-4L
 - DFN2×2-6L
- Support 3 times Programming
- Compatible with third party programming Tools
- Support 2.7 V ~ 5.75 V operation on VCONN1 and VCONN2 Pins
- 25 V high voltage tolerance on CC, VCONN1 and VCONN2 pins
- Support Thunderbolt 3, Thunderbolt 4 and USB4® 2.0 80Gbps data communication

- HBM ±8 kV ESD on CC, VCONN1 and VCONN2 pins

APPLICATIONS

- USB Type-C Cable ID
- USB4® Passive Cable

GENERAL DESCRIPTION

HUSB332D is a USB Type-C eMarker for Cable ID applications. It is compliant with USB Type-C Specification Revision 2.2. It is also compliant to USB Power Delivery 3.1 and USB4® Specification.

Powered from VCONN1 or VCONN2, **HUSB332D** can determine to act as SOP'. The built-in OTP can be programmed through CC line.

The enhanced ±8 KV system ESD protection on the exposed pins can improve the system reliability significantly. The **HUSB332D** operates over a wide supply range of 2.7 V to 5.75 V. It is available in DFN2×2-6L and DFN1.6×1.6-4L packages. It is rated over the -40 °C to +85 °C temperature range.

TYPICAL APPLICATION CIRCUIT

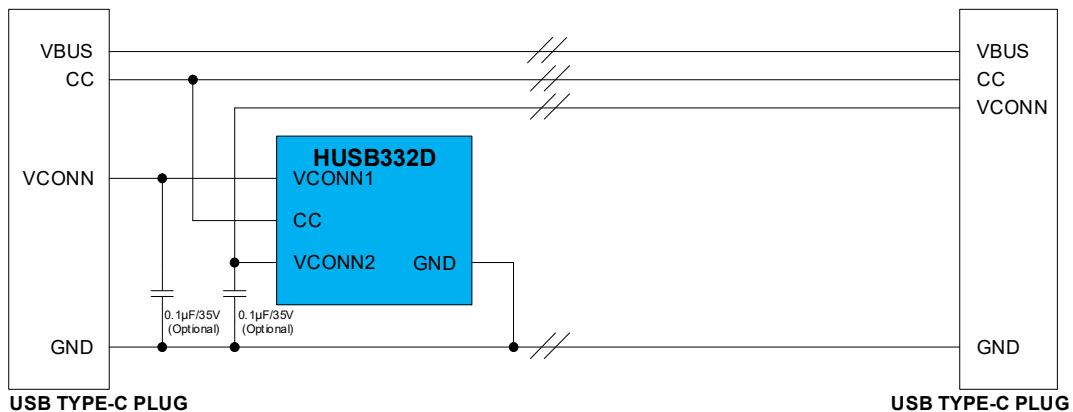


Figure 1. HUSB332D_UXXDH Typical Application Circuit

TABLE OF CONTENTS

Features	1
Applications	1
General Description	1
Typical Application Circuit	1
Table of Contents	2
Revision History	2
Pin Configuration and Function Descriptions	3
Recommended Operating Conditions	4
Specifications	5
Absolute Maximum Ratings	6
Thermal Resistance	6
ESD Caution	6
Functional Block Diagram	7
Theory of Operation	8
Power Cable Termination	8
High Voltage Tolerance	8
PD Message Information	8
Typical Application Circuits	9
Package Outline Dimensions	10
Package TOP Marking	12
Ordering Guide	13
Tape and Reel Information	14
Important Notice	15

REVISION HISTORY

Version	Date	Descriptions
Rev.1.0	05/2023	Initial version
Rev.1.1	07/2023	Add Models HUSB332D_U30DA and HUSB332D_U31DA Add the Typical Application Circuit of HUSB332D_UXXDA Add the Recommended DFN2×2-6L PCB packaging

PIN CONFIGURATION AND FUNCTION DESCRIPTIONS

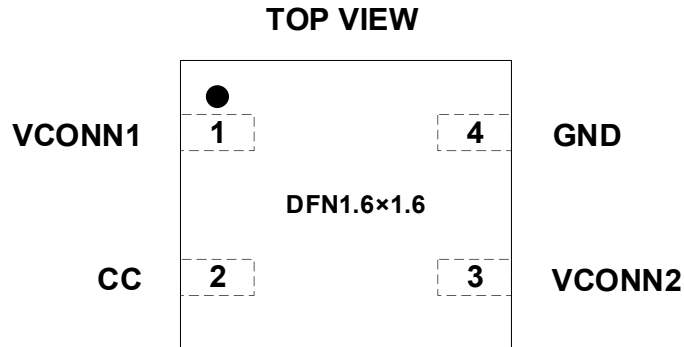


Figure 2 HUSB332D_XXXDH Pin Assignment

Table 1. HUSB332D_XXXDH Pin Function Descriptions

Pin No.	Pin Name	Type	Description
1	VCONN1	P	The input pin supplied from VCONN.
2	CC	D	USB Type-C CC line input and output. In debug mode, act as SCL of I ² C bus.
3	VCONN2	P	The input pin supplied from the other side VCONN. In debug mode, act as SDA of I ² C bus.
4	GND	A	Ground.

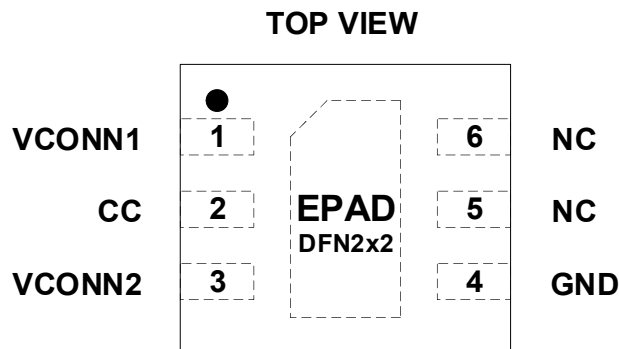


Figure 3. HUSB332D_XXXDA Pin Assignment

Table 2. HUSB332D_XXXDA Pin Function Descriptions

Pin No.	Pin Name	Type	Description
1	VCONN1	P	The input pin supplied from VCONN.
2	CC	D	USB Type-C CC line input and output. In debug mode, act as SCL of I ² C bus.
3	VCONN2	P	The input pin supplied from the other side VCONN. In debug mode, act as SDA of I ² C bus.
4	GND	A	Ground.
5	NC	D	NC
6	NC	D	NC

RECOMMENDED OPERATING CONDITIONS

Table 3. Recommended Operating Conditions

Parameter	Rating
VCONN1/2 Input Voltage	2.7 V to 5.75 V
Power Consumption – Full Operation	< 20 mW
Operating Temperature Range (Junction)	-40 °C to 125 °C
Ambient Temperature Range	-40 °C to 85 °C

SPECIFICATIONS

V_{CONN1} or $V_{CONN2} = 5\text{ V}$ and $T_A = 25\text{ }^\circ\text{C}$ for typical specifications, unless otherwise noted.

Table 4. Electrical Specification

Parameter	Symbol	Test Conditions	Min	Typ	Max	Unit
GENERAL PARAMETERS						
V_{CONN1}/V_{CONN2} Voltage	V_{CONN}		2.7	5	5.75	V
Under-voltage Lockout	V_{UVLO}	Rising edge		2.6		V
		Falling edge		2.56		V
Standby Current	$I_{DD_STANDBY}$	V_{CONN1} or $V_{CONN2} > V_{UVLO}$, BMC is Idle		1.5		mA
Supply Current	I_{DD_BIST}	BIST mode, BMC is activated		1.55		mA
BMC COMMON PARAMETERS						
Bit Rate	$f_{BitRate}$		270	300	330	Kbps
BMC TX PARAMETERS						
Maximum Difference between the Bit-rate during the Part of the Packet Following the Preamble and the Reference Bit-rate.	$p_{BitRate}$				0.25	%
Time to Cease Driving the Line after the End of the Last bit of the Frame.	$t_{EndDriveBMC}$				23	μs
Fall Time	t_{Fall}	From 90% to 10% amplitude	300			ns
Time to cease driving the line after the final high-to-low transition.	$t_{HoldLowBMC}$		1			μs
Time from the End of Last Bit of a Frame until the Start of the First bit of the Next Preamble.	$t_{InterFrameGap}$		25			μs
Rise Time	t_{Rise}	From 10% to 90% amplitude	300			ns
Time Before the Start of the First Bit of the Preamble when the Transmitter shall Start Driving the Line.	$t_{StartDrive}$		-1		1	μs
Voltage Swing	V_{Swing}		1.05	1.125	1.2	V
Transmit Low Voltage			-75		75	mV
Transmitter Output Impedance	Z_{Driver}		33	54	75	Ω
BMC RX PARAMETERS						
Power Cable Termination	R_a	V_{CONN1} and $V_{CONN2} < V_{UVLO}$	800		1200	Ω
Weakened R_a	R_{wa}			20		K Ω
CC Pin Impedance	Z_{OPEN}		1			M Ω
Time Window for Detecting Bus Non-idle	$t_{TransitionWindow}$		12		20	μs
Number to Count to Detect Bus Non-idle	n_{Count}		3			
Time constant of a single pole filter to limit broad-band noise ingress	$t_{RxFilter}$		100			ns
Receiver Input Impedance	Z_{BmcRx}		1			M Ω

ABSOLUTE MAXIMUM RATINGS

Table 5. Absolute Maximum Ratings

Parameter	Rating
VCONN1, VCONN2 and CC to GND	-0.5 V to +25 V
Storage Temperature Range	-65 °C to +150 °C
Operating Temperature Range (Junction)	-40 °C to +125 °C
Soldering Conditions	JEDEC J-STD-020
Electrostatic Discharge (ESD)	
Human Body Model	±8000 V
Charged Device Model	±2000 V

Stresses at or above those listed under Absolute Maximum Ratings may cause permanent damage to the product. This is a stress rating only; functional operation of the product at these or any other conditions above those indicated in the operational section of this specification is not implied. Operation beyond the maximum operating conditions for extended periods may affect product reliability.

THERMAL RESISTANCE

Thermal performance is directly linked to printed circuit board (PCB) design and operating environment. Close attention to PCB thermal design is required.

θ_{JA} is the natural convection junction to ambient thermal resistance measured in a one cubic foot sealed enclosure.

θ_{JC} is the junction to case thermal resistance.

Table 6. Thermal Resistance

Package Type	θ_{JA}	θ_{JC}	Unit
DFN1.6x1.6-4L	135	72	°C/W
DFN2x2-6L	102.4	74.5	°C/W

ESD CAUTION



Electrostatic Discharge Sensitive Device.

Charged devices and circuit boards can discharge without detection. Although this product features patented or proprietary protection circuitry, damage may occur on devices subjected to high energy ESD. Therefore, proper ESD precautions should be taken to avoid performance degradation or loss of functionality.

FUNCTIONAL BLOCK DIAGRAM

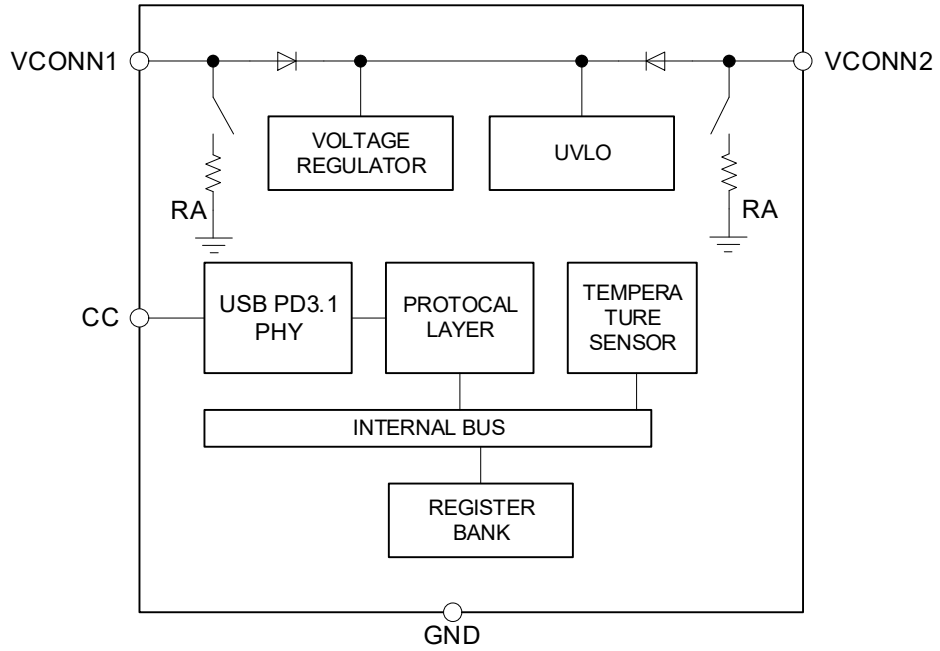


Figure 4. HUSB332D Functional Block Diagram

THEORY OF OPERATION

HUSB332D is an eMarker Chip. It is usually applied in a Type-C cable plug. **HUSB332D** employs two communication protocols, one is I²C communication protocol and another one is PD protocol. With both communication protocols, some customized info can be stored in the internal EPROM of **HUSB332D**. And these info can be ready by the external devices via USB PD protocol.

POWER CABLE TERMINATION

VCONN1 and VCONN2 can be independent power input pin for **HUSB332D**. Anyone of both is powered up (VCONN1 or VCONN2 > VUVLO), **HUSB332D** is going to start up. When **HUSB332D** is not powered, VCONN1 and VCONN2 perform as a resistance characteristic. The equivalent resistance is Ra. While for CC pin, the impedance of CC should be higher than 1 MΩ when VCONN1 or VCONN2 is not powered.

HIGH VOLTAGE TOLERANCE

VCONN1, VCONN2 and CC pin are all of high voltage tolerance. They can be survived from a high voltage up to 25 V to withstand in some accidental faults, such as a short fault between CC pin and VBUS pin whose voltage could be up to 25 V.

PD MESSAGE INFORMATION

HUSB332D supports several extended messages for some customization info. It is able to respond the correct message once there is an inquiry message received.

DISCOVER IDENTITY

The Discover Identity Command is provided to enable an Initiator (DFP) to identify its Port Partner and for an Initiator (VCONN Source) to identify the Responder (Cable Plug). The Discovery Identity Command is also used to determine whether a Cable Plug is PD-Capable by looking for a GoodCRC Message Response.

The Discover Identity Command shall be used to determine whether a given Cable Plug is PD. In this case a Discover Identity Command request sent to SOP' shall not cause a Soft Reset if a GoodCRC Message response is not returned since this can indicate a non-PD Capable cable. Note that a Cable Plug will not be ready for PD Communication until 50 ms after VCONN has been applied. During Cable Plug discovery, when there is an Explicit Contract, Discover Identity Commands are sent at a rate defined by the DiscoverIdentityTimer up to a maximum of nDiscoverIdentityCount times. See USB Power Delivery Specification Revision 3.1, Version 1.7 for details.

A PD-Capable Cable Plug shall return a Discover Identity Command ACK in response to a Discover Identity Command request sent to SOP'.

The Number of Data Objects field in the Message Header in the Discover Identity Command request shall be set to 1 since the Discover Identity Command request shall not contain any VDOs.

The Discover Identity Command ACK sent back by the **HUSB332D** shall contain an ID Header VDO, a Cert Stat VDO, a Product VDO and the Product Type VDOs defined by the Product Type as shown in Figure 5.

Header No. of Data Objects = 4-7 ¹	VDM Header	ID Header VDO	Cert Stat VDO	Product VDO	0..3 ² Product Type VDO(s)
--	------------	---------------	---------------	-------------	---------------------------------------

Figure 5. Discover Identity Command Response

MANUFACTURER INFO

The Manufacturer_Info Message Shall be sent in response to a Get_Manufacturer_Info Message. The Manufacturer_Info Message contains the USB VID and the Vendor's PID to identify the device and the device's manufacturer byte array in a variable length Data Block of up to MaxExtendedMsgLegacyLen.

HUSB332D does not support any Manufacturer String, if the received Get_Manufacturer_Info Message contains the info which **HUSB332D** does not support, **HUSB332D** responds Manufacturer Info with VID=0xFFFF, PID=0x0000, and filled the Manufacturer String field with a "Not Supported" string.

DISCOVER RESPONSE

HUSB332D supports Structured VDMs, therefore, the Discover Identity, Discover SVIDs, the Discover Modes, the Enter Mode and Exit Mode Commands are all supported by **HUSB332D**. **HUSB332D** does not initial any Structure VDMs. It can only respond a received Structure VDM REQ. Discover Identity is a MUST supported command for **HUSB332D**. For the other Structured VDMs, it is impacted by the modal operation field in the Discover Identity.

TYPICAL APPLICATION CIRCUITS

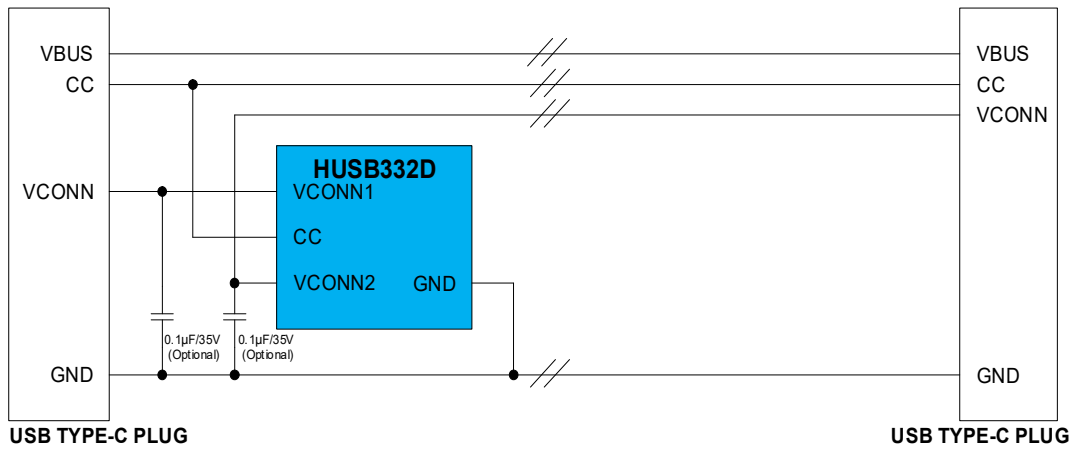


Figure 6. HUSB332D_UXXDH Typical Application

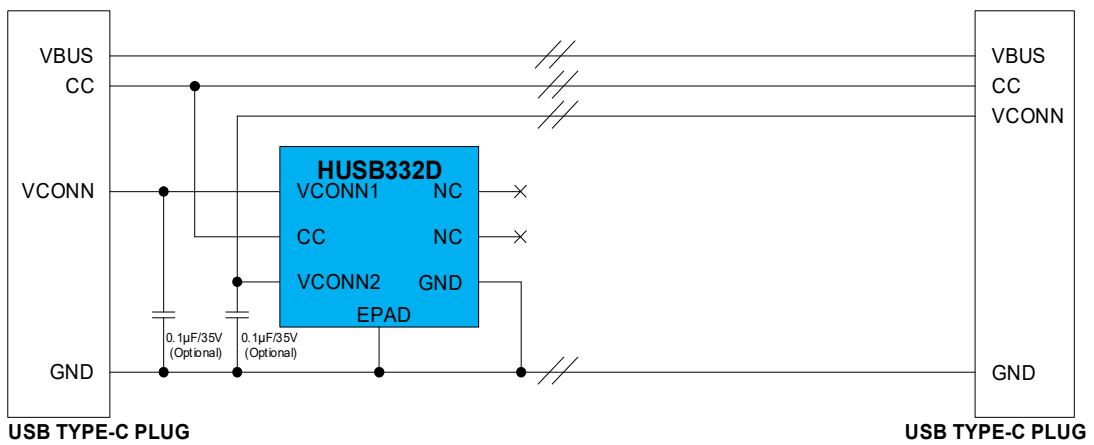
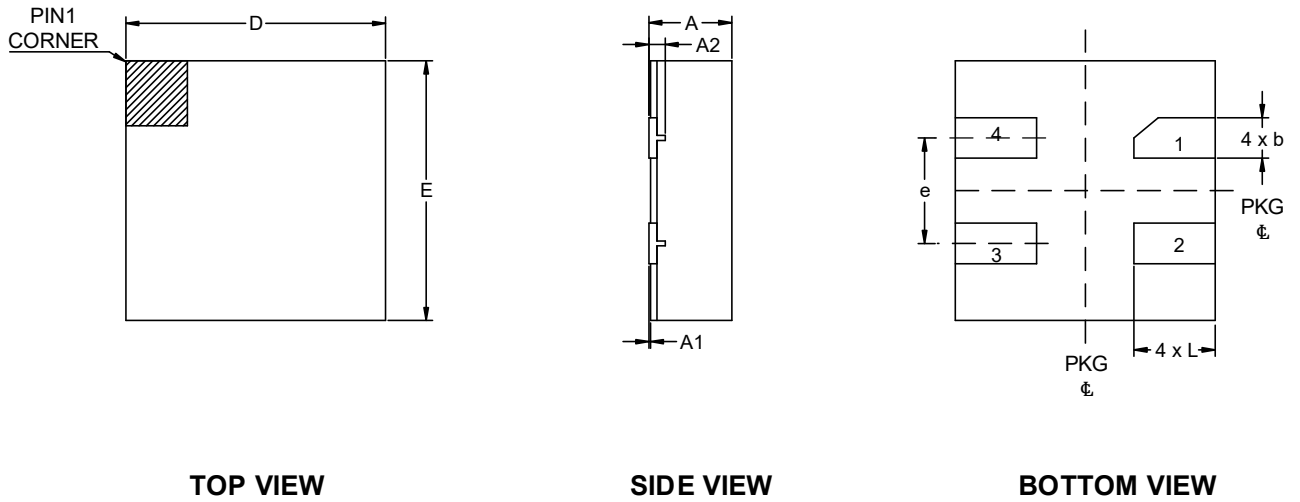


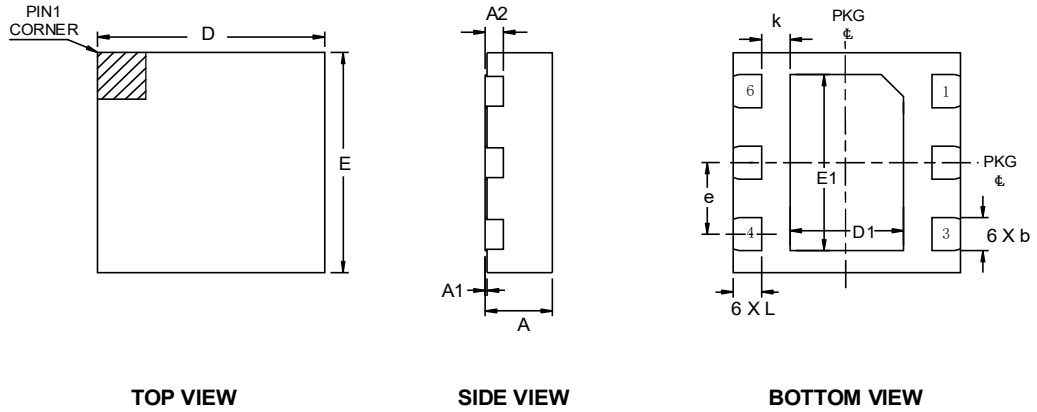
Figure 7. HUSB332D_UXXDA Typical Application

PACKAGE OUTLINE DIMENSIONS



SYMBOLS	DIMENSION IN MILLIMETERS		
	MIN	NOM	MAX
A	0.40	0.50	0.55
A1	0.00	0.02	0.05
A2	0.152 REF		
b	0.20	0.25	0.30
D	1.60 BSC		
E	1.60 BSC		
e	0.65 BSC		
L	0.45	0.50	0.55

Figure 8. DFN1.6x1.6-4L Package, 1.6 mm x 1.6 mm Body



SYMBOLS	DIMENSION IN MILLIMETERS		
	MIN	NOM	MAX
A	0.70	0.75	0.80
A1	0.00	0.02	0.05
A2	0.203 REF		
b	0.25	0.30	0.35
D	2.00 BSC		
E	2.00 BSC		
D1	0.63	1.00	1.10
E1	1.18	1.60	1.70
e	0.65 BSC		
L	0.20	0.25	0.35
k	0.15 MIN.		

Figure 9. DFN2x2-6L Package, 2 mm x 2 mm Body

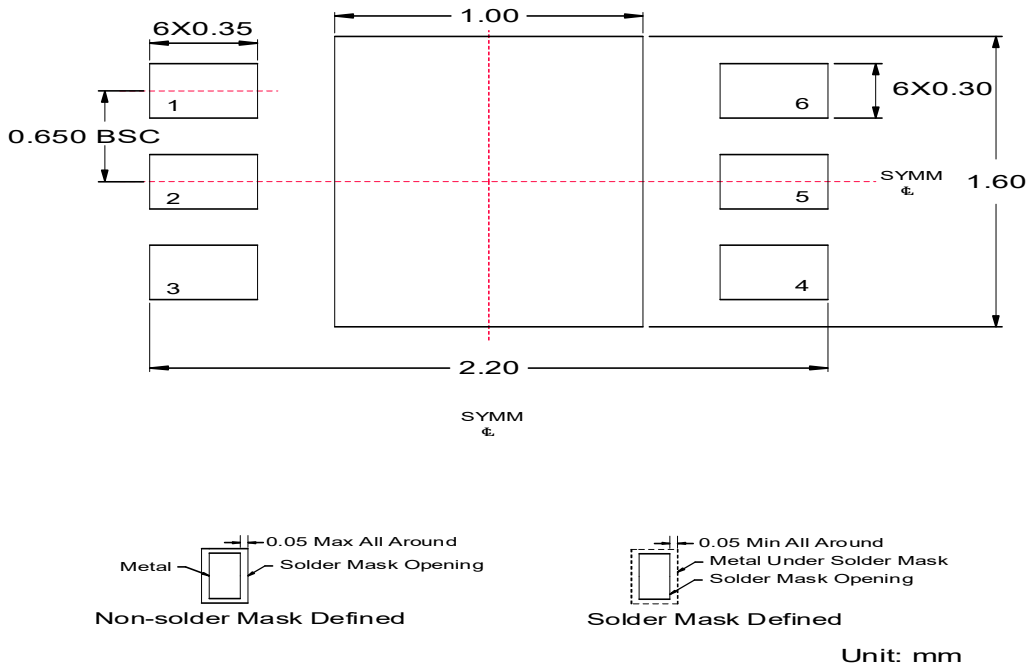


Figure 10 Recommended DFN2x2-6L PCB packaging

PACKAGE TOP MARKING

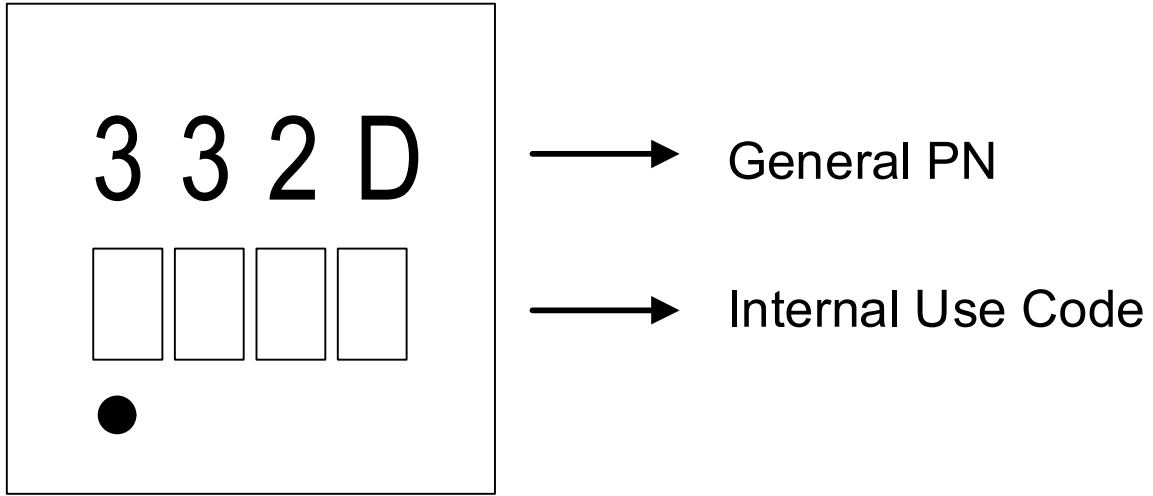
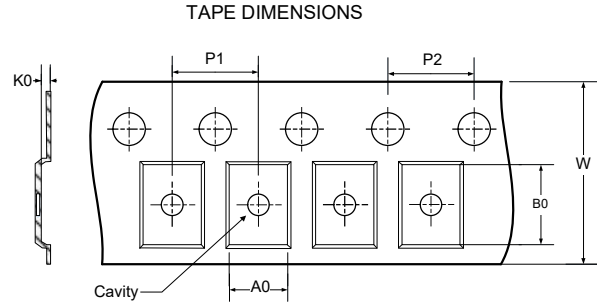
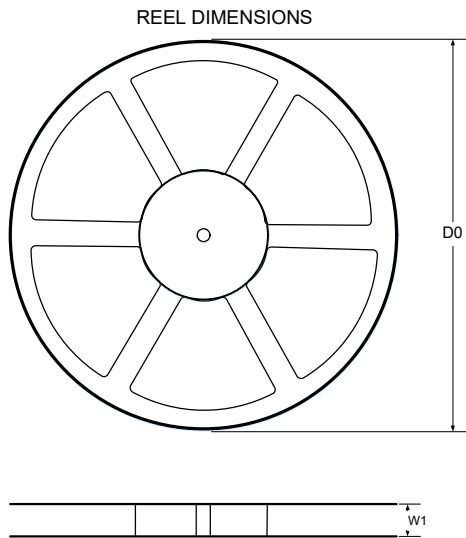


Figure 11. DFN1.6×1.6-4L& DFN2×2-6L Package Top Marking

ORDERING GUIDE

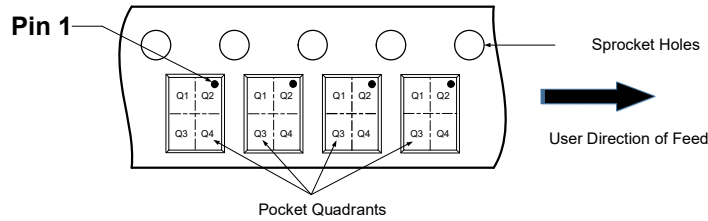
Order Model	Description	Package	Ta Range	Package Option
HUSB332D_U30DH	PD3.0, USB2.0 supported, 2m cable	DFN1.6×1.6-4L	-40 °C to +85 °C	Tape & Reel, 4000
HUSB332D_U31DH	PD3.1, EPR Capable with USB2.0 supported, 2m cable	DFN1.6×1.6-4L	-40 °C to +85 °C	Tape & Reel, 4000
HUSB332D_U30DA	PD3.0, USB2.0 supported, 2m cable	DFN2×2-6L	-40 °C to +85 °C	Tape & Reel, 4000
HUSB332D_U31DA	PD3.1, EPR Capable with USB2.0 supported, 2m cable	DFN2×2-6L	-40 °C to +85 °C	Tape & Reel, 4000

TAPE AND REEL INFORMATION



- A0: Dimension designed to accommodate the component width
- B0: Dimension designed to accommodate the component length
- K0: Dimension designed to accommodate the component thickness
- W: Overall width of the carrier tape
- P1: Pitch between successive cavity centers
- P2: Pitch between sprocket hole
- D0: Reel Diameter
- W1: Reel Width

QUADRANT ASSIGNMENTS FOR PIN 1 ORIENTATION IN TAPE



DIMENSIONS AND PIN1 ORIENTATION

Device	Package Type	D0 (mm)	W1 (mm)	A0 (mm)	B0 (mm)	K0 (mm)	P1 (mm)	P2 (mm)	W (mm)	Pin1 Quadrant	Quantity
HUSB332D_XXXDA	DFN2X2-6L	178.00	9.50	2.30	2.30	1.10	4.00	4.00	8.00	Q2	4000
HUSB332D_XXXDH	DFN1.6X1.6-4L	178.00	9.50	1.75	1.75	0.70	4.00	4.00	8.00	Q2	4000

All dimensions are nominal

Figure 12. Tape and Reel Information

IMPORTANT NOTICE

Hynetek Semiconductor Co., Ltd. and its subsidiaries (Hynetek) reserve the right to make corrections, enhancements, improvements and other changes to its semiconductor products and services per JESD46, latest issue, and to discontinue any product or service per JESD48, latest issue. Buyers should obtain the latest relevant information before placing orders and should verify that such information is current and complete. All semiconductor products (also referred to herein as “components”) are sold subject to Hynetek’s terms and conditions of sale supplied at the time of order acknowledgment.

Hynetek warrants performance of its components to the specifications applicable at the time of sale, in accordance with the warranty in Hynetek’s terms and conditions of sale of semiconductor products. Testing and other quality control techniques are used to the extent Hynetek deems necessary to support this warranty. Except where mandated by applicable law, testing of all parameters of each component is not necessarily performed.

Hynetek assumes no liability for applications assistance or the design of Buyers’ products. Buyers are responsible for their products and applications using Hynetek components. To minimize the risks associated with Buyers’ products and applications, Buyers should provide adequate design and operating safeguards.

Hynetek does not warrant or represent that any license, either express or implied, is granted under any patent right, copyright, mask work right, or other intellectual property right relating to any combination, machine, or process in which Hynetek components or services are used. Information published by Hynetek regarding third-party products or services does not constitute a license to use such products or services or a warranty or endorsement thereof. Use of such information may require a license from a third party under the patents or other intellectual property of the third party, or a license from Hynetek under the patents or other intellectual property of Hynetek.

Reproduction of significant portions of Hynetek information in Hynetek data books or data sheets is permissible only if reproduction is without alteration and is accompanied by all associated warranties, conditions, limitations, and notices. Hynetek is not responsible or liable for such altered documentation. Information of third parties may be subject to additional restrictions.

Resale of Hynetek components or services with statements different from or beyond the parameters stated by Hynetek for that component or service voids all express and any implied warranties for the associated Hynetek component or service and is an unfair and deceptive business practice.

Hynetek is not responsible or liable for any such statements.

Buyer acknowledges and agrees that it is solely responsible for compliance with all legal, regulatory and safety-related requirements concerning its products, and any use of Hynetek components in its applications, notwithstanding any applications-related information or support that may be provided by Hynetek. Buyer represents and agrees that it has all the necessary expertise to create and implement safeguards which anticipate dangerous consequences of failures, monitor failures and their consequences, lessen the likelihood of failures that might cause harm and take appropriate remedial actions. Buyer will fully indemnify Hynetek and its representatives against any damages arising out of the use of any Hynetek components in safety-critical applications.

In some cases, Hynetek components may be promoted specifically to facilitate safety-related applications. With such components, Hynetek’s goal is to help enable customers to design and create their own end-product solutions that meet applicable functional safety standards and requirements. Nonetheless, such components are subject to these terms.

No Hynetek components are authorized for use in FDA Class III (or similar life-critical medical equipment) unless authorized officers of the parties have executed a special agreement specifically governing such use.

Only those Hynetek components which Hynetek has specifically designated as military grade or “enhanced plastic” are designed and intended for use in military/aerospace applications or environments. Buyer acknowledges and agrees that any military or aerospace use of Hynetek components which have not been so designated is solely at the Buyer’s risk, and that Buyer is solely responsible for compliance with all legal and regulatory requirements in connection with such use.

Hynetek has specifically designated certain components as meeting ISO/TS16949 requirements, mainly for automotive use. In any case of use of non-designated products, Hynetek will not be responsible for any failure to meet ISO/TS16949.

Please refer to below URL for other products and solutions of Hynetek Semiconductor Co., Ltd.