



NOTES:

1. MATERIAL:

- 1.1 HOUSING: THERMOPLASTIC, HIGH TEMP., UL94V-0; COLOR:BLACK.
- 1.2 CONTACT: COPPER ALLOY
- 1.3 SHELL: COPPER ALLOY

2. FINISH:

2.1 CONTACT:

- 50u" MIN. NICKEL UNDERPLATING OVERALL.
- 1:1~3u" GOLD ON CONTACT FOR LEAD FREE
- T:10u" GOLD ON CONTACT FOR LEAD FREE
- D:30u" GOLD ON CONTACT FOR LEAD FREE
- B:5u" GOLD ON CONTACT FOR LEAD FREE
- C:15u" GOLD ON CONTACT FOR LEAD FREE

2.2 SHELL:

- 50u" MIN. NICKEL UNDERPLATING OVERALL.
- 50~100u" MATT TIN PLATING ON SOLDER

3. SPEC. PLS. REFER TO PS-50398-XXXX

4. PACKAGE PLS. REFER TO 50406-XXXX-TRP/50406-XXXX-00-TRP  
50406-XXXX-02-TRP

5. MATING CONNECTOR P/N:50407

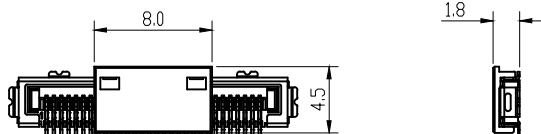
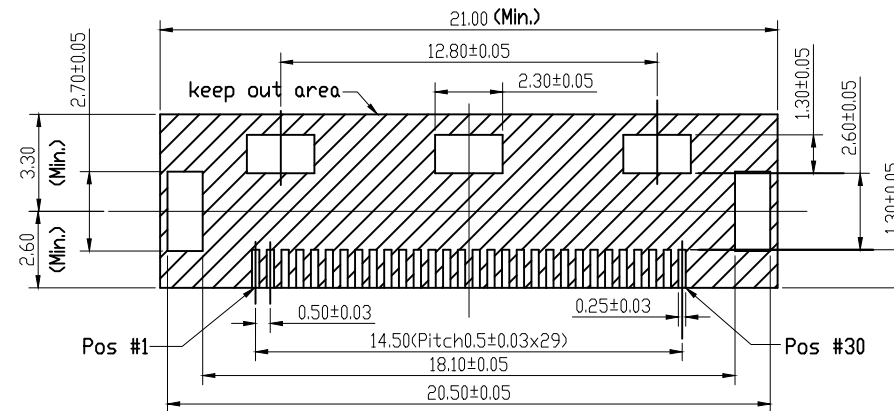
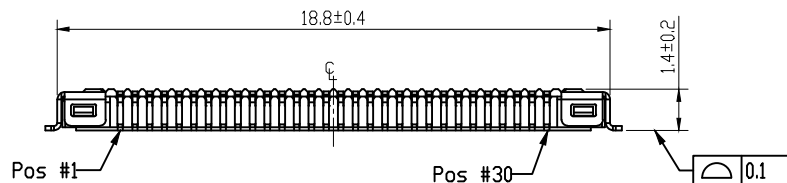
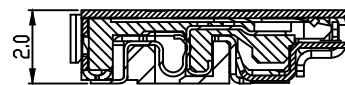
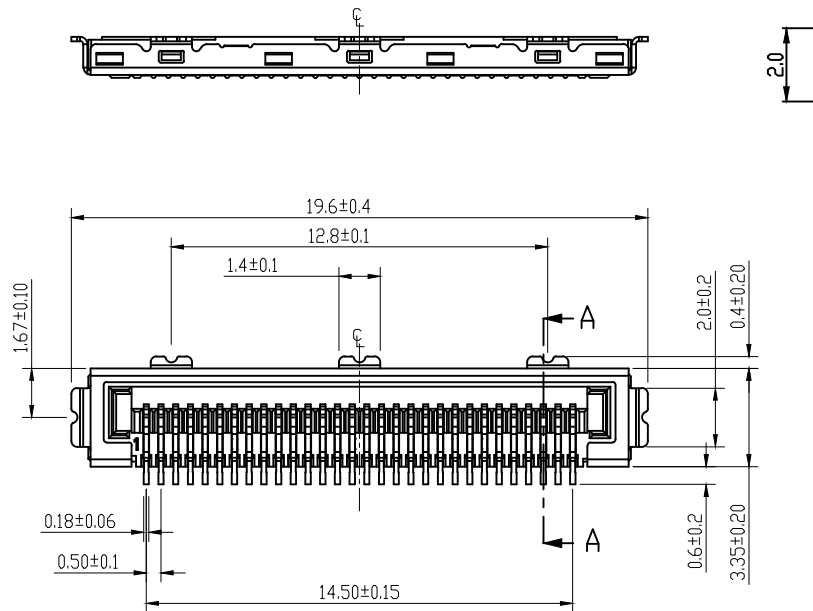
6. PART NUMBER

50406-XXX X X-XXX

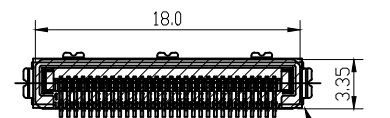
XXX	PACKING
001	50406-XXXXCR-00(WITH MYLAR)
	50406-XXXXCR(WITH COVER)
W01	50406-XXXXCR-02
BW1	50406-XXXXCR-06(WITHOUT LOGO)

- PACKING
- 1.TUBE
- 7.TAPE REEL WITH COVER
- 4.TAPE REEL WITH MYLAR

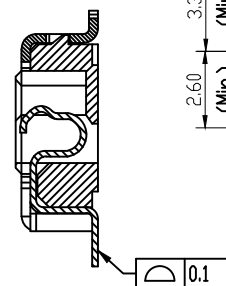
- CONTACT PLATING
- 1:1~3u" GOLD ON CONTACT FOR LEAD FREE
- T:10u" GOLD ON CONTACT FOR LEAD FREE
- D:30u" GOLD ON CONTACT FOR LEAD FREE
- B:5u" GOLD ON CONTACT FOR LEAD FREE
- C:15u" GOLD ON CONTACT FOR LEAD FREE



VACUUM CLIP INSTALLATION  
CONDITION 1:2

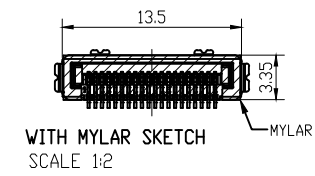
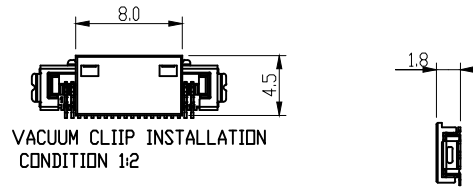
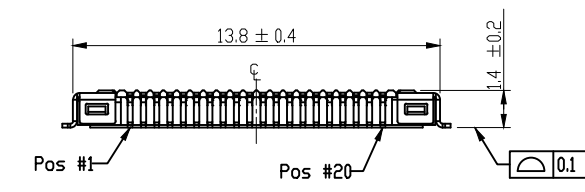
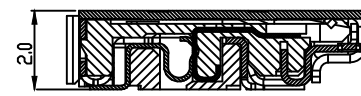
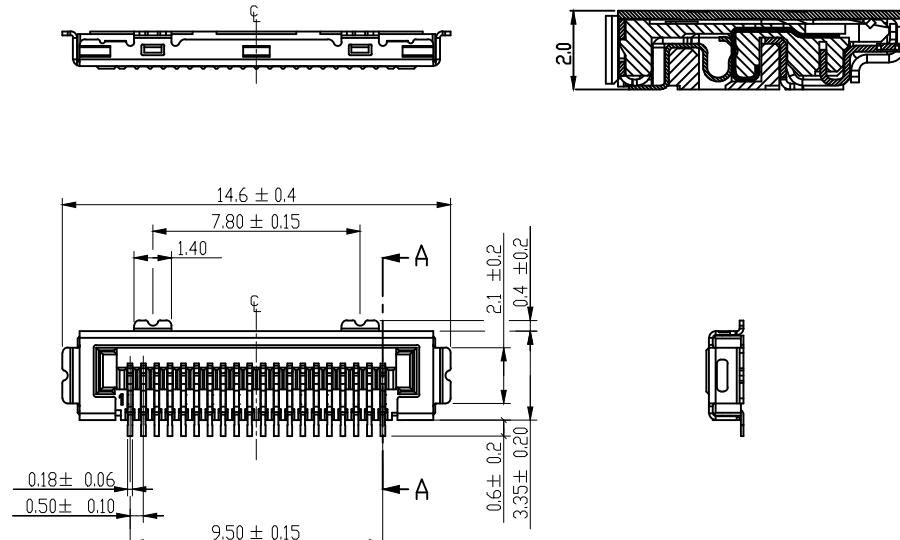


WITH MYLAR SKETCH  
SCALE 1:2



Section A-A  
Scale 2:1

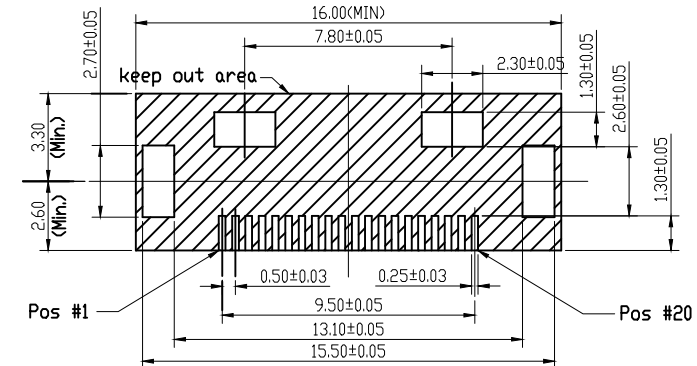
<b>QUALITY SYMBOLS</b> MAJOR CRITICAL <b>GENERAL TOLERANCES</b> (UNLESS SPECIFIED) X. ±0.5 .X ±0.25 .XX ±0.15 .XXX ±0.1 ANGLES ±2°	DRAWN BY HUYANG	DATE 21/10/18	 <b>ACES ELECTRONICS</b> TITLE 0.5mm LVDS CONN.
	CHECKED BY BRAVE	DATE 21/10/18	
	APPROVED BY BRAVE	DATE 21/10/18	SIZE A4
	UNITS mm		DWG NO. 50406-XXXXX-XXX
	SCALE 4:1	SHEET NO. 1 OF 5	REV R
			PART NO. SEE NOTES



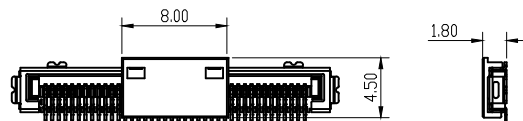
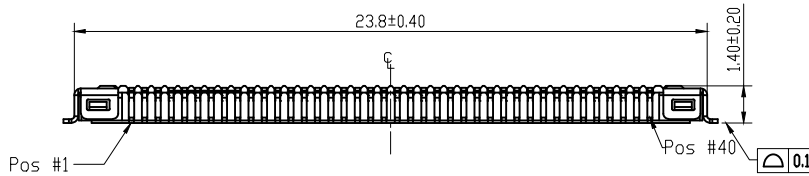
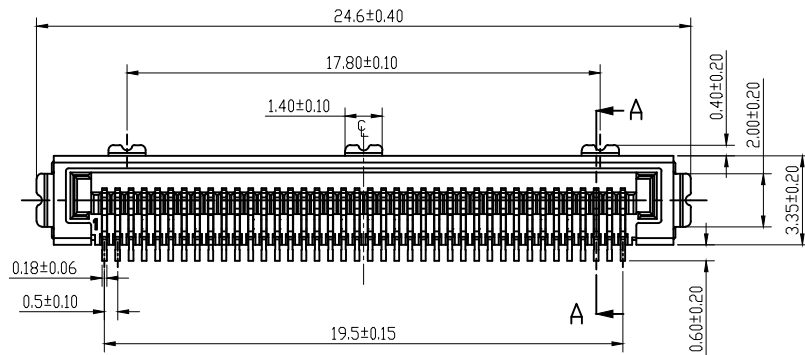
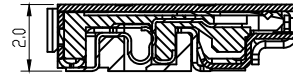
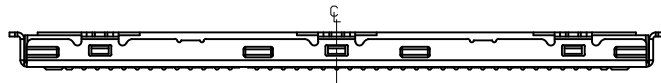
- NOTES:
- MATERIAL:
    - HOUSING: THERMOPLASTIC, HIGH TEMP., UL94V-0; COLOR:BLACK.
    - CONTACT: COPPER ALLOY
    - SHELL: COPPER ALLOY
  - FINISH:
    - CONTACT:
      - 50 $\mu$  MIN. NICKEL UNDERPLATING OVERALL.
      - 1:~3 $\mu$  GOLD ON CONTACT FOR LEAD FREE
      - T:10 $\mu$  GOLD ON CONTACT FOR LEAD FREE
      - D:30 $\mu$  GOLD ON CONTACT FOR LEAD FREE
      - B:5 $\mu$  GOLD ON CONTACT FOR LEAD FREE
      - C:15 $\mu$  GOLD ON CONTACT FOR LEAD FREE
    - SHELL:
      - 50 $\mu$  MIN. NICKEL UNDERPLATING OVERALL.
      - 50~100 $\mu$  MATT TIN PLATING ON SOLDER
  - SPEC. PLS. REFER TO PS-50398-XXXX
  - PACKAGE PLS. REFER TO 50406-XXXX-TRP/50406-XXXX-02-TRP 50406-XXXX-04-TRP
  - MATING CONNECTOR P/N:50407
  - PART NUMBER

50406-XXX X X-XXX	XXX	PACKING
	001	50406-XXXCR
	W01	50406-XXXCR-02
	ATT	50406-XXXCR-04

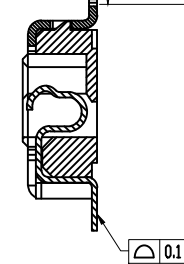
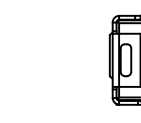
- PACKING
- TAPE REEL
  - TUBE
  - TAPE REEL WITH COVER
  - TAPE REEL WITH MYLAR
- CONTACT PLATING
- 1~3 $\mu$  GOLD ON CONTACT FOR LEAD FREE
  - T:10 $\mu$  GOLD ON CONTACT FOR LEAD FREE
  - D:30 $\mu$  GOLD ON CONTACT FOR LEAD FREE
  - B:5 $\mu$  GOLD ON CONTACT FOR LEAD FREE
  - C:15 $\mu$  GOLD ON CONTACT FOR LEAD FREE



QUALITY SYMBOLS	DRAWN BY	DATE				
MAJOR	HUYANG	21/10/18				
CRITICAL	CHECKED BY	DATE	TITLE <b>0.5mm LVDS CONN.</b>			
GENERAL TOLERANCES (UNLESS SPECIFIED)	BRAVE	21/10/18				
	APPROVED BY	DATE	UNITS 			
	BRAVE	21/10/18				
	UNITS	mm	SIZE	A4	DWG. NO.	50406-XXXXX-XXX
	SCALE	4 : 1	SHEET NO.	2 OF 5	REV	R
	ANGLES	±2°	PART NO. SEE NOTES			



VACUUM CLIP INSTALLATION  
CONDITION 1:2



SECTION B-B  
SCALE 2:1

NOTES:

1. MATERIAL:
  - 1.1 HOUSING: THERMOPLASTIC, HIGH TEMP., UL94V-0; COLOR:BLACK.
  - 1.2 CONTACT: COPPER ALLOY
  - 1.3 SHELL: COPPER ALLOY
2. FINISH:
  - 2.1 CONTACT:
    - 50 $\mu$  MIN. NICKEL UNDERPLATING OVERALL.
    - 1:1~3 $\mu$  GOLD ON CONTACT FOR LEAD FREE
    - T:10 $\mu$  GOLD ON CONTACT FOR LEAD FREE
    - D:30 $\mu$  GOLD ON CONTACT FOR LEAD FREE
    - B:5 $\mu$  GOLD ON CONTACT FOR LEAD FREE
    - C:15 $\mu$  GOLD ON CONTACT FOR LEAD FREE
  - 2.2 SHELL:
    - 50 $\mu$  MIN. NICKEL UNDERPLATING OVERALL.
    - 50~100 $\mu$  MATT TIN PLATING ON SOLDER
3. SPEC. PLS. REFER TO PS-50398-XXXX
4. PACKAGE PLS. REFER TO 50406-XXXX-TRP/50406-XXXX-02-TRP
5. MATING CONNECTOR P/N:50407
6. PART NUMBER

50406-XXX X X-XXX

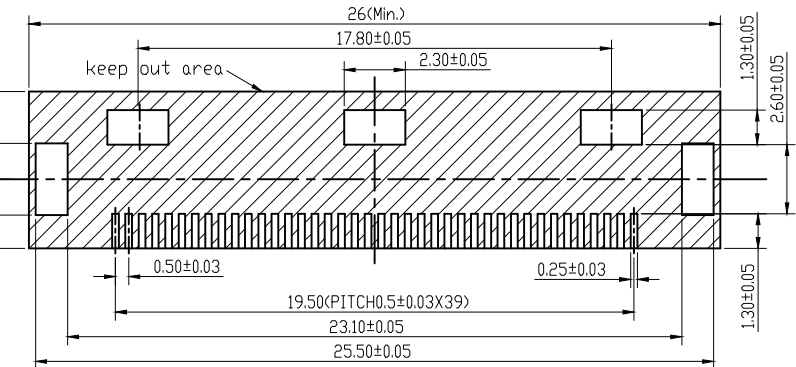
XXX	PACKING
001	50406-XXXXCR
W01	50406-XXXXCR-02

PACKING

- 1.TUBE
- 7.TAPE REEL WITH COVER
- 4.TAPE REEL WITH MYLAR
- 0.TAPE REEL

CONTACT PLATING

- 1:1~3 $\mu$  GOLD ON CONTACT FOR LEAD FREE
- T:10 $\mu$  GOLD ON CONTACT FOR LEAD FREE
- D:30 $\mu$  GOLD ON CONTACT FOR LEAD FREE
- B:5 $\mu$  GOLD ON CONTACT FOR LEAD FREE
- C:15 $\mu$  GOLD ON CONTACT FOR LEAD FREE



QUALITY SYMBOLS	DRAWN BY	DATE	<b>ACES</b> ELECTRONICS
MAJOR	HUYANG	21/10/18	
CRITICAL	CHECKED BY	DATE	TITLE 0.5mm LVDS CONN.
GENERAL TOLERANCES (UNLESS SPECIFIED)	BRAVE	21/10/18	
	APPROVED BY	DATE	UNITS mm
	BRAVE	21/10/18	
	SIZE	A4	DWG NO. 50406-XXXX-XXX
	SCALE	4 : 1	REV R
	ANGLES $\pm 2^\circ$		PART NO. SEE NOTES

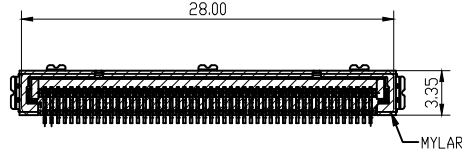
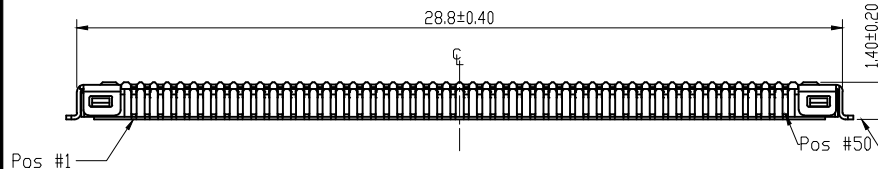
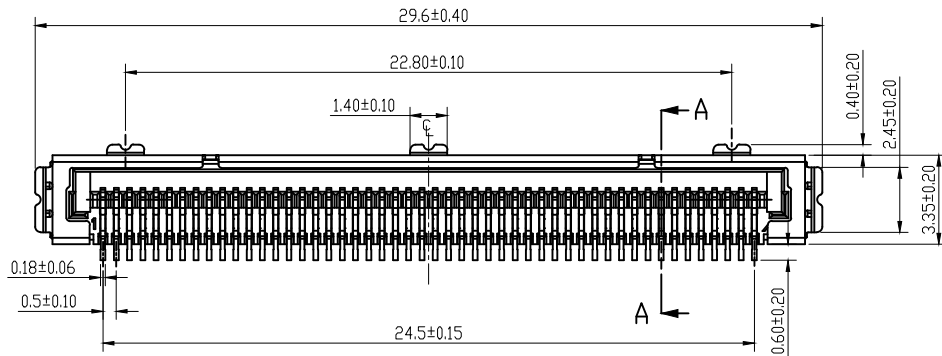
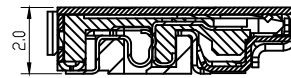
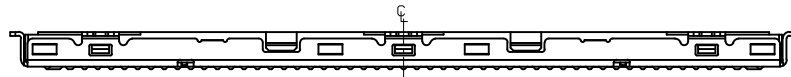


NOTES:

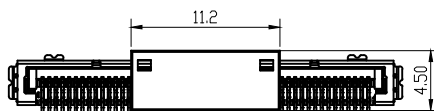
1. MATERIAL:
  - 1.1 HOUSING: THERMOPLASTIC, HIGH TEMP., UL94V-0; COLOR:BLACK.
  - 1.2 CONTACT: COPPER ALLOY
  - 1.3 SHELL: COPPER ALLOY
2. FINISH:
  - 2.1 CONTACT:
    - 50 $\mu$  MIN. NICKEL UNDERPLATING OVERALL.
    - 1:1~3 $\mu$  GOLD ON CONTACT FOR LEAD FREE
    - T:10 $\mu$  GOLD ON CONTACT FOR LEAD FREE
    - D:30 $\mu$  GOLD ON CONTACT FOR LEAD FREE
    - B:5 $\mu$  GOLD ON CONTACT FOR LEAD FREE
    - C:15 $\mu$  GOLD ON CONTACT FOR LEAD FREE
  - 2.2 SHELL:
    - 50 $\mu$  MIN. NICKEL UNDERPLATING OVERALL.
    - 50~100 $\mu$  MATT TIN PLATING ON SOLDER
3. SPEC. PLS. REFER TO PS-50398-XXXXX
4. PACKAGE PLS. REFER TO 50406-XXXXX-TRP
5. MATING CONNECTOR P/N:50407
6. PART NUMBER

050:50Pin	XXX	PACKING
	001	50406-XXXXCR-XX

- PACKING
- |                        |   |
|------------------------|---|
| 1.TUBE                 | CONTACT PLATING                           |
| 7.TAPE REEL WITH COVER | 1:1~3 $\mu$ GOLD ON CONTACT FOR LEAD FREE |
| 4.TAPE REEL WITH MYLAR | T:10 $\mu$ GOLD ON CONTACT FOR LEAD FREE  |
| 0.TAPE REEL            | D:30 $\mu$ GOLD ON CONTACT FOR LEAD FREE  |
|                        | B:5 $\mu$ GOLD ON CONTACT FOR LEAD FREE   |
|                        | C:15 $\mu$ GOLD ON CONTACT FOR LEAD FREE  |

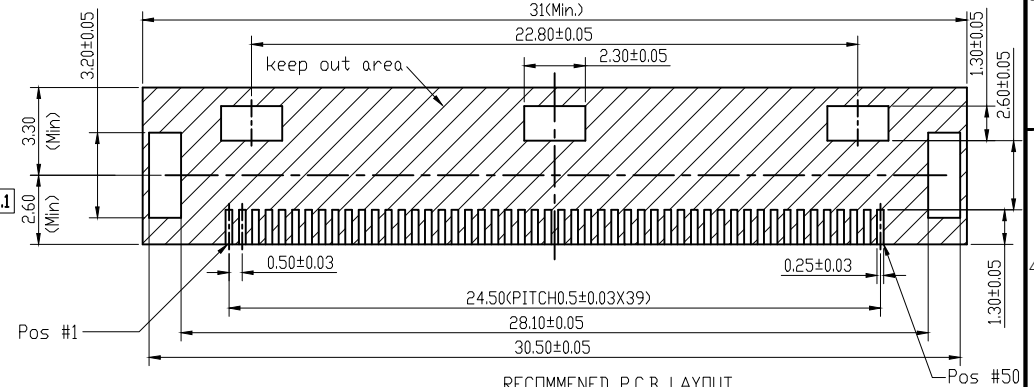


WITH MYLAR SKETCH  
SCALE 1:2



VACUUM CLIP INSTALLATION  
CONDITION 1:2

SECTION A-A  
SCALE 2:1



RECOMMEN P.C.B LAYOUT

SCALE 2:1

QUALITY SYMBOLS MAJOR Ⓜ CRITICAL Ⓢ	DRAWN BY HUYANG	DATE 21/10/18	<b>ACES</b> ELECTRONICS
	CHECKED BY	DATE	
GENERAL TOLERANCES (UNLESS SPECIFIED)	APPROVED BY	DATE 21/10/18	TITLE 0.5mm LVDS CONN.
		DATE 21/10/18	
X. ±0.5 .X ±0.25 .XX ±0.15 .XXX ±0.1 ANGLES ±2°	UNITS mm	SIZE A4	DWG. NO. 50406-XXXXX-XXX
	SCALE 4 : 1	SHEET NO. 4 OF 5	REV R
			PART NO. SEE NOTES



NOTES:

1. MATERIAL:
  - 1.1 HOUSING: THERMOPLASTIC, HIGH TEMP., UL94V-0; COLOR:BLACK.
  - 1.2 CONTACT: COPPER ALLOY
  - 1.3 SHELL: COPPER ALLOY

2. FINISH:

- 2.1 CONTACT:
  - 50 $\mu$  MIN. NICKEL UNDERPLATING OVERALL.
  - 1:1~3 $\mu$  GOLD ON CONTACT FOR LEAD FREE
  - T:10 $\mu$  GOLD ON CONTACT FOR LEAD FREE
  - D:30 $\mu$  GOLD ON CONTACT FOR LEAD FREE
  - B:5 $\mu$  GOLD ON CONTACT FOR LEAD FREE
  - C:15 $\mu$  GOLD ON CONTACT FOR LEAD FREE

2.2 SHELL:

- 50 $\mu$  MIN. NICKEL UNDERPLATING OVERALL.
- 50~100 $\mu$  MATT TIN PLATING ON SOLDER

3. SPEC. PLS. REFER TO PS-50398-XXXXX
4. PACKAGE PLS. REFER TO 50406-XXXX-TRP
5. MATING CONNECTOR P/N:50407

6. PART NUMBER

50406-XXX X X-XXX

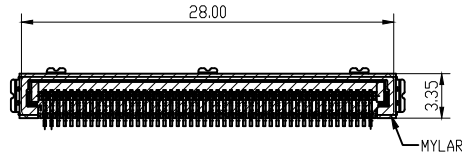
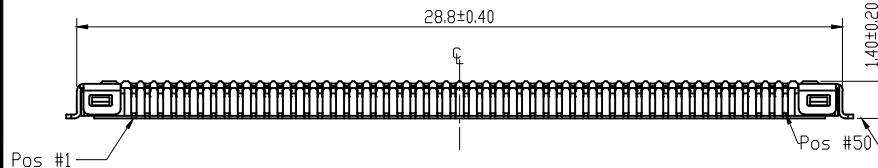
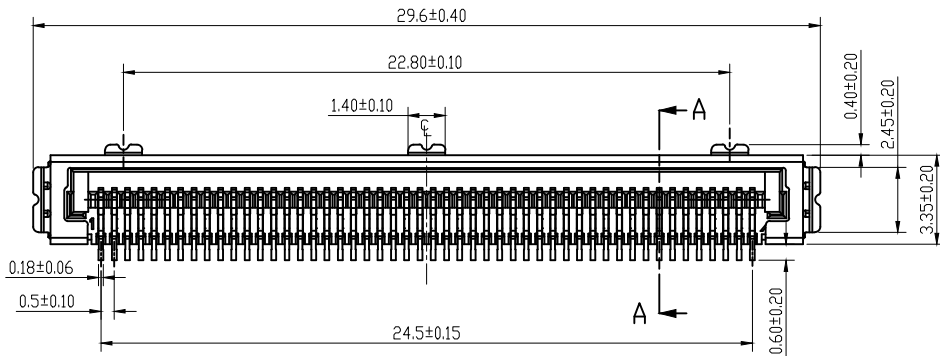
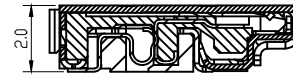
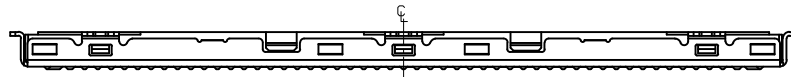
XXX	PACKING
002	50406-XXXX-XX

PACKING

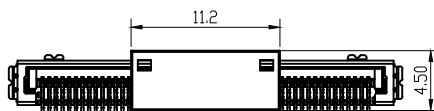
- 1.TUBE
- 7.TAPE REEL WITH COVER
- 4.TAPE REEL WITH MYLAR
- 0.TAPE REEL

CONTACT PLATING

- 1:1~3 $\mu$  GOLD ON CONTACT FOR LEAD FREE
- T:10 $\mu$  GOLD ON CONTACT FOR LEAD FREE
- D:30 $\mu$  GOLD ON CONTACT FOR LEAD FREE
- B:5 $\mu$  GOLD ON CONTACT FOR LEAD FREE
- C:15 $\mu$  GOLD ON CONTACT FOR LEAD FREE

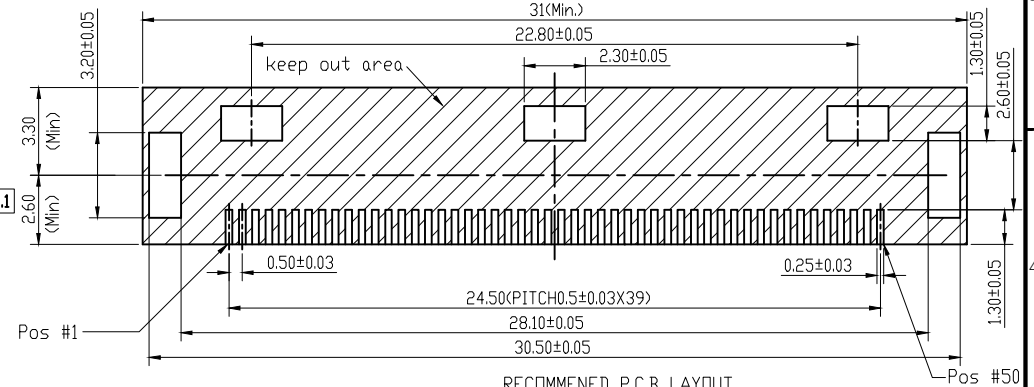


WITH MYLAR SKETCH  
SCALE 1:2



VACUUM CLIP INSTALLATION  
CONDITION 1:2

SECTION A-A  
SCALE 2:1



RECOMMEN P.C.B LAYOUT

SCALE 2:1

QUALITY SYMBOLS MAJOR Ⓜ CRITICAL Ⓢ	DRAWN BY HUYANG	DATE 21/10/18	<b>ACES</b> ELECTRONICS	
	CHECKED BY BRAVE	DATE 21/10/18		
GENERAL TOLERANCES (UNLESS SPECIFIED)	APPROVED BY BRAVE	DATE 21/10/18	TITLE 0.5mm LVDS CONN.	
	X. ±0.5 .X ±0.25 .XX ±0.15 .XXX ±0.1 ANGLES ±2°	UNITS mm	SIZE A4	DWG NO. 50406-XXXX-XXX
	SCALE 4 : 1	SHEET NO. 5 OF 5	REV R	PART NO. SEE NOTES