

Due to product updates, please refer to the actual product for the latest information



WX-LOK

Since 1996

Fluid Transfer
Sewer Cleaning



ZHEJIANG WAYSING METAL PRODUCTS CO., LTD.

Add: No. 150, ShuangShan Rd, Deqing Economic

Development Zone, Zhejiang, CHINA 313200

TEL:+86 13735524570

Http://www.waysing-cleaning.com

Email: Joey@waysing.com

WX-LOK

WX-LOK

SINCE 1996

**SPECIALIZES IN
FLUID TRANSFER AND
SEWER CLEANING**

**30
YEAR**



Established in 1996, Zhejiang Waysing Metal Products Co., Ltd. is China's leading provider of fluid transfer solutions and water jetting technology. With a proven track record of delivering high-quality products and exceptional service, we have become a trusted partner to clients in over 50 countries across Europe, North America, the Middle East, Australia, and Southeast Asia, etc.

We specialize in providing tailored solutions for the military, petroleum, chemical, municipal, and property industries. Our extensive product range includes industrial hose fittings, water jetting equipment and accessories, all backed by our in-house expertise in product development, mold manufacturing, casting, and forging.

Our commitment to innovation and customer satisfaction has driven our growth. We invite you to explore our product range and discover how Waysing can elevate your business. Contact us today to discuss your specific needs.

CONTENTS

Part 1 : Nozzles, Parts and Accessories

● NOZZLES FOR MUNICIPAL

Torpedo	01	Floor Cleaner	09
Beater	02	Crossbow	10
Penetrator	03	Root Cutter	11
Penetrator with Driller	04	Chain Pagoda	12
Pagoda	05	O-Chain Pagoda	13
Rock Pagoda	06	Chain Cutter	14
Rotor	07	Hydro Excavating Nozzle	15
Landing Craft	08	Turbo Nozzle	16

● NOZZLES FOR DOMESTIC

Torpedo Mini	17	Rotary / Sharp	20
Penetrator Mini	18	Dropper / Dancer	21
Round Ball / Jetter	19	Sewer Nozzle Kit	22

● PARTS AND ACCESSORIES

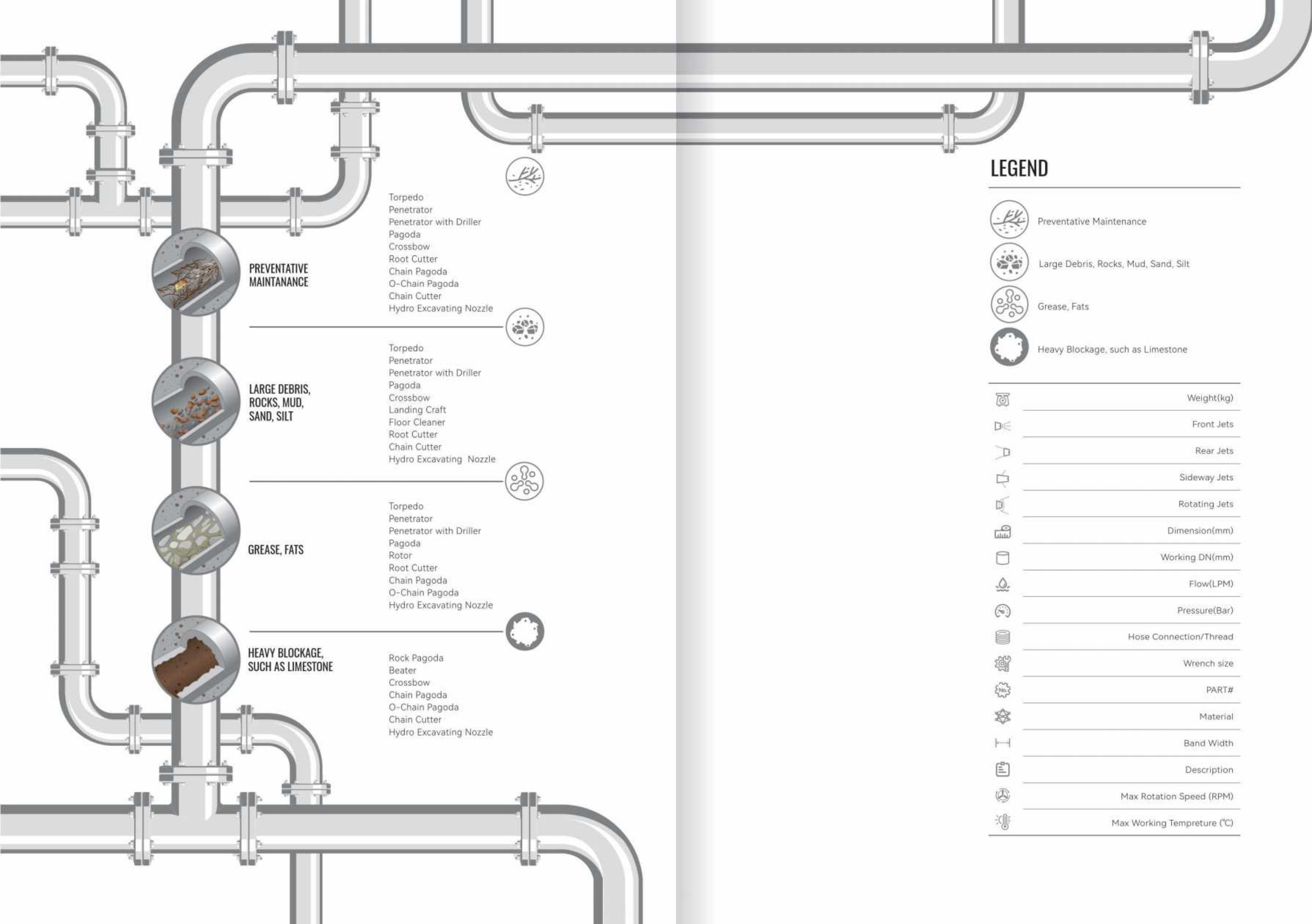
Ceramic Inserts	23	Pipe Skids	25
-----------------------	----	------------------	----

Part 2 : Washing Equipment and Accessories

● Hydraulic Slurry Pump	27	● Reel Swivels	30
● Hydraulic Submersible Pump	27	● Hose Reel	31
● Hydraulic Power Station	28	● Spray Guns	33
● High Pressure Sewer Jetter	29	● Surface Cleaners	34

Part 3 : Vacuum Truck Parts, Accessories, Tools

● Ringlocks	35	● Gauges	46
● Tubes	39	● Vacuum Truck Parts	47
● Clamps	40	● Filter Elements And Bags	51
● Quick Release Couplings	41	● Tools	52
● Valves	42	● Truck Lights	53
● Cam & Groove Couplings	44	● Hose Assembly	54



PREVENTATIVE MAINTANANCE

- Torpedo
- Penetrator
- Penetrator with Driller
- Pagoda
- Crossbow
- Root Cutter
- Chain Pagoda
- O-Chain Pagoda
- Chain Cutter
- Hydro Excavating Nozzle

LARGE DEBRIS, ROCKS, MUD, SAND, SILT

- Torpedo
- Penetrator
- Penetrator with Driller
- Pagoda
- Crossbow
- Landing Craft
- Floor Cleaner
- Root Cutter
- Chain Cutter
- Hydro Excavating Nozzle

GREASE, FATS

- Torpedo
- Penetrator
- Penetrator with Driller
- Pagoda
- Rotor
- Root Cutter
- Chain Pagoda
- O-Chain Pagoda
- Hydro Excavating Nozzle

HEAVY BLOCKAGE, SUCH AS LIMESTONE

- Rock Pagoda
- Beater
- Crossbow
- Chain Pagoda
- O-Chain Pagoda
- Chain Cutter
- Hydro Excavating Nozzle

LEGEND

- Preventative Maintenance
- Large Debris, Rocks, Mud, Sand, Silt
- Grease, Fats
- Heavy Blockage, such as Limestone

	Weight(kg)
	Front Jets
	Rear Jets
	Sideway Jets
	Rotating Jets
	Dimension(mm)
	Working DN(mm)
	Flow(LPM)
	Pressure(Bar)
	Hose Connection/Thread
	Wrench size
	PART#
	Material
	Band Width
	Description
	Max Rotation Speed (RPM)
	Max Working Tempreture (°C)

NOZZLES FOR MUNICIPAL

Torpedo



The nozzle is made of wear-resistant hardened stainless steel, with a front ceramic insert and a plug (interchangeable). All ceramic inserts are replaceable, which extend nozzle's service life several times than drilled nozzles.

APPLICATION:
Removing and breaking up stubborn blockages in pipelines, as well as cleaning other kinds of obstructions, e.g. limestone deposits, sand, gravel, sludge, grease, mud.

INTERFACE THREAD:
NPT or BSPP

MAX PRESSURE:
300Bar. Different flows and pressures are available on request.



	SL0.5	SL1.5	SL3	SL3.5	SL5	SL6.5	SL8	SL9.3
	1/2" F	1" F	1" F	1" F	1" F	1" F	1" F	1" F
	100	135	170	170	215	215	270	315
	200	200	200	200	200	200	200	200
	1 x M6	1 x M10x1	1 x M10x1	1 x M10x1	1 x M10x1	1 x M10x1	1 x M10x1	1 x M10x1
	6 x M6	8 x M10x1	8 x M10x1	8 x M10x1	10 x M10x1	10 x M10x1	12 x M10x1	12 x M10x1
	Φ44.5 x 59	Φ71.5 x 96	Φ74 x 130	Φ85.5 x 123	Φ89 x 148	Φ89 x 180	Φ97.5 x 185	Φ103 x 200
	80-200	100-400	100-600	200-600	200-600	200-600	300-1200	300-1200
	0.5	1.5	3	3.5	5	6.5	8	9.3

NOZZLES FOR MUNICIPAL

Beater



The nozzle is made of wear-resistant hardened stainless steel, its Off-axis Rotor Section generates aggressive vibration and jets, which is ideal for removing and cleaning the deposits from the bottom of pipes. The rotating jets are more aggressive and effective in removing limestone. All ceramic inserts are replaceable, which extend the service life several times than drilled nozzles.

APPLICATION:
Removing scale, mineral deposits, concrete, asphalt, etc. in pipelines.

ATTENTION:
1. Never use this nozzle in ceramic, thin plastic or PVC pipes because of the possible damage on pipelines caused by aggressive shock and vibration.
2. Operator must control the working pressure all the time as the possible structure damage caused by high pressure.

INTERFACE THREAD:
NPT or BSPP

MAX PRESSURE:
137Bar. Different flows and pressures are available on request.



	QJ2.6	QJ6.4
	3/4" F	1" F
	170	270
	137	137
	6 x M10x1	6 x M10x1
	2 x M10x1	2 x M10x1
	Φ77*123	Φ105*163
	150-300	200-1000
	2.6	6.4



WEARING PART: OFF-AXIS ROTOR SECTION

	81.0009	81.0010
	Off-axis Rotor Section for QJ2.6	Off-axis Rotor Section for QJ6.4
	Φ58 x 46	Φ72 x 61

NOZZLES FOR MUNICIPAL

Penetrator



The nozzle is made of wear-resistant hardened stainless steel, it has an excellent high penetrating thrust with multiple forward-penetrating jets. Its sharp edges can cut, break and penetrate various blockages. All ceramic inserts are replaceable, which extend the service life several times than drilled nozzles.

APPLICATION:

Cleaning complete blockage caused by rocks, ice, limestone, condensation, roots, etc. in pipelines.

ATTENTION:

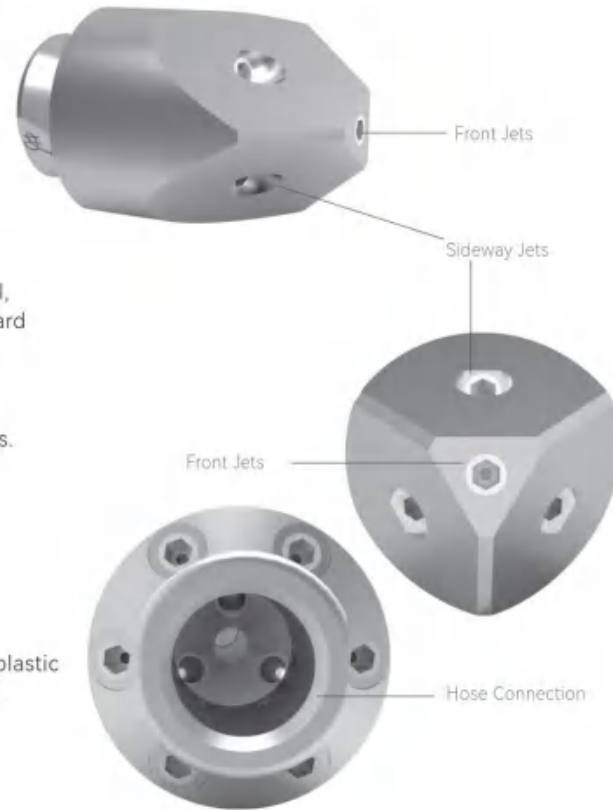
It recommends to do not use this nozzle in sharp bends and plastic pipes due to the great destructive power of the sharp edges.

INTERFACE THREAD:

NPT or BSPP

MAX PRESSURE:

300Bar. Different flows and pressures are available on request.



	CC0.3-1	CC1-1	CC1.5-1	CC3.5-1	CC4.5-1	CC8-1
	1/2"F	3/4"F	3/4"F	1"F	1"F	1-1/4"F
	50	135	135	215	250	315
	200	200	200	200	200	200
	4 x M6	1 x M8+3 x M10x1	1 x M8+3 x M10x1	1 x M8+4 x M10x1	1 x M8+4 x M10x1	1 x M8+4 x M10x1
	6 x M6	6 x M10x1	6 x M10x1	6 x M10x1	6 x M10x1	6 x M10x1
	Φ39 x 65	Φ54.5 x 94	Φ63 x 125	Φ87 x 157	Φ97 x 170	Φ99 x 229
	60-200	100-400	100-400	150-500	200-600	200-800
	0.3	1	1.5	3.5	4.5	8

NOZZLES FOR MUNICIPAL

Penetrator with Driller



The nozzle is made of wear-resistant hardened stainless steel, it has an excellent high penetrating thrust with multiple forward-penetrating jets. Its sharp edges can cut, break and penetrate various blockages. All ceramic inserts are replaceable, which extend the service life several times than drilled nozzles.

APPLICATION:

Cleaning complete blockage caused by rocks, ice, limestone, condensation, roots, etc. in pipelines.

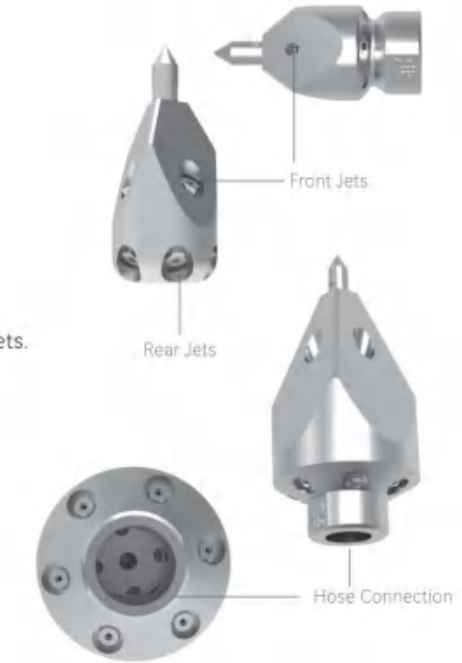
ATTENTION:

It recommends to do not use this nozzle in sharp bends and plastic pipes due to the great destructive power of the sharp edges.

INTERFACE THREAD: NPT or BSPP

MAX PRESSURE:

300Bar. Different flows and pressures are available on request.



	CC0.3	CC1	CC1.5	CC3.5	CC4.5	CC8
	1/2"F	3/4"F	3/4"F	1"F	1"F	1-1/4"F
	50	135	135	215	215	315
	200	200	200	200	200	200
	3 x M6	3 x M10x1	3 x M10x1	4 x M10x1	4 x M10x1	4 x M10x1
	6 x M6	6 x M10x1	6 x M10x1	6 x M10x1	6 x M10x1	6 x M10x1
	Φ39 x 65	Φ54.5 x 94	Φ63 x 125	Φ87 x 157	Φ97 x 170	Φ99 x 229
	60-200	100-400	100-400	150-500	200-600	200-800
	0.3	1	1.5	3.5	4.5	8

WEARING PART: DRILL POINT

	81.0007	81.0008
	Drill Point for CC0.3	Drill Point for CC1/1.5/3.5/4.5/8
	M6	M8
	Φ10 x 26.7	Φ14 x 40



NOZZLES FOR MUNICIPAL

Pagoda



The nozzle is made of wear-resistant hardened stainless steel. High-pressure rotating water jets from the pump impacts the dirt and deposits from pipelines by its strong kinetic energy, so as to achieve the purpose of cleaning & penetrating. All ceramic inserts are replaceable, which extend the service life several times than drilled nozzles.

APPLICATION:

Removing grease, sediment, roots, etc. from various types of pipelines, e.g. rainwater pipes, sewage pipes.

INTERFACE THREAD:

NPT or BSPP

MAX PRESSURE:

172Bar. Different flows and pressures are available on request.



	CBT0.5	CBT1	CBT3	CBT5
	3/8" F	3/4" F	1" F	1" F
	60	170	215	215
	137	137	172	172
	6 x M6	6 x M6	6 x M10x1	6 x M10x1
	4 x M6	4 x M6	4 x M10x1	4 x M10x1
	Φ36 x 98	Φ49 x 121	Φ74 x 172	Φ74 x 220
	60-150	80-200	100-300	100-300
	0.5	1	3	5

NOZZLES FOR MUNICIPAL

Rock Pagoda



The nozzle is made of wear-resistant hardened stainless steel and diamond composite. High-pressure rotating water jets from the pump impacts the dirt and deposits from pipelines by its strong kinetic energy, so as to achieve the purpose of cleaning & penetrating. All ceramic inserts are replaceable, which extend the service life several times than drilled nozzles.

APPLICATION:

Removing blockage such as blocks, lime, grease, sediment, roots, etc. from various types of pipelines, e.g. rainwater pipes, sewage pipes.

INTERFACE THREAD:

NPT or BSPP

MAX PRESSURE:

172Bar. Different flows and pressures are available on request.



	BT0.5	BT1.2	BT3.3	BT5
	3/8" F	3/4" F	1" F	1" F
	60	170	215	215
	137	137	172	172
	6 x M6	6 x M6	6 x M10x1	6 x M10x1
	4 x M6	4 x M6	4 x M10x1	4 x M10x1
	Φ36 x 107	Φ49 x 136	Φ75 x 159	Φ75 x 207
	60-150	80-200	100-300	100-300
	0.5	1.2	3.3	5

NOZZLES FOR MUNICIPAL

Rotor



The nozzle is made of wear-resistant hardened stainless steel, the aggressive and penetrating action generated by its radial jets is optimal for removing scale, grease, etc. In order to get more even and effective cleaning, it is recommended to use a suitable Centralizer to ensure the nozzle is located in the right place in pipes. All ceramic inserts are replaceable, which extend the service life several times than drilled nozzles.

APPLICATION:
Removing scale, grease, roots, etc. from pipelines.

INTERFACE THREAD:
NPT or BSPP

MAX PRESSURE:
250Bar. Different flows and pressures are available on request.



GB1.2 **GB3.1**

	3/4"F	1"F
	170	300
	200	137
	6 x M6	6 x M10x1
	4 x M6	4 x M10x1
	Φ53 x 93.5	Φ70 x 132
	100-200	100-300
	1.2	3.1

Centralizer

81.0011	DN125/150/200 Centralizer, for 3/4" Nozzle
81.0012	DN150/200/300 Centralizer, for 1" Nozzle



NOZZLES FOR MUNICIPAL

Landing Craft



The nozzle is made of wear-resistant hardened stainless steel, ideal for cleaning flat pipelines. The flat design together with rounded corners & edges gives the nozzle ideal glide during use. All ceramic inserts are replaceable, which extend the service life several times than drilled nozzles.

APPLICATION:
Removing mud, gravel and sediments in flat pipes and drains.

INTERFACE THREAD:
NPT or BSPP

MAX PRESSURE:
250Bar. Different flows and pressures are available on request.



	DLJ3	DLJ4	DLJ13	DLJ19
	1/2"F	3/4"F	1"F	1-1/4"
	60	100	200	250
	250	250	250	250
	4 x M6	6 x M6	8 x M10x1	10 x M10x1
	85 x 30 x 180	95 x 42 x 170	145 x 48 x 315	180 x 55 x 325
	150-300	200-400	300-600	400-800
	2.98	3.96	13.2	19.7

NOZZLES FOR MUNICIPAL
Floor Cleaner



The nozzle is made of wear-resistant hardened steel, it has better traction and removal capacity than conventional nozzles because of its low-inclination, ideal for removing sand, debris, etc. of large flat pipes. All ceramic inserts are replaceable, being used together with straight swivel.

APPLICATION:

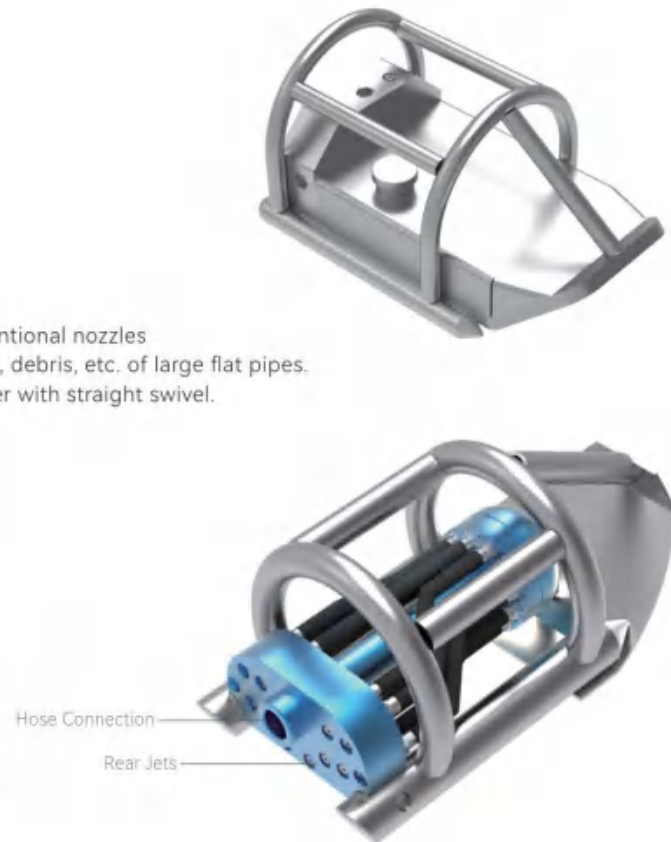
Removing heavy or compacted solids, sludge, stones and bricks in large pipelines.

INTERFACE THREAD:

NPT or BSPP

MAX PRESSURE:

250Bar.
Different flows and pressures are available on request.



	TC15	TC20	TC25	TC30
	1"F	1"F	1"F	1"F
	170	215	270	315
	200	200	200	200
	13 x M10x1	13 x M10x1	13 x M10x1	12 x M10x1
	337*202*177	375*222*204	425*242*216	513*270*227
	400-1500	400-1500	400-1500	400-1800
	15	20	25	30

NOZZLES FOR MUNICIPAL
Crossbow



The nozzle is made of wear-resistant hardened stainless steel, high-strength chains provide extremely effective cutting forces. Different chain sizes together with Extension Kit are used in conjunction to accommodate different working pipe sizes. Nozzles can be purchased in sets or individually. All ceramic inserts are replaceable, which extend the service life several times than drilled nozzles.

APPLICATION:

Removing roots, ice, limestone, concrete, mineral deposits, etc. in pipelines.

INTERFACE THREAD:

NPT or BSPP

MAX PRESSURE:

250Bar. Different flows and pressures are available on request.



Extension Kit

	81.0013	81.0014
	1"F NPT	1"F BSP
	Extension Kit, for DN225-DN600	Extension Kit, for DN225-DN600



WEARING PART: CHAIN

81.0015	DN200 Chain
81.0016	DN250 Chain
81.0017	DN300 Chain
81.0018	DN350 Chain
81.0019	DN400 Chain
81.0020	DN450 Chain
81.0021	DN500 Chain
81.0022	DN550 Chain
81.0023	DN600 Chain



BN3.3

	1"F
	170
	250
	4 x M6
	6 x M6
	Φ74 x 164.5
	225-600
	3.3

NOZZLES FOR MUNICIPAL Root Cutter



The nozzle is made of wear-resistant hardened stainless steel, different chains for different pipe sizes. It can remove the root, grease and mineral deposits more easily. All ceramic inserts are replaceable. The Kits contains Nozzles, Centralizer, Chains and tool kit.

INTERFACE THREAD:
NPT or BSPP

MAX PRESSURE:
300Bar. Different flows and pressures are available on request.



WEARING PART: CHAIN

81.0036	DSG-0.5 Chain DN75
81.0037	DSG-0.5 Chain DN100
81.0038	DSG-0.5 Chain DN150
81.0039	DSG-0.75 Chain DN100
81.0040	DSG-0.75 Chain DN125
81.0041	DSG-0.75 Chain DN150
81.0042	DSG-0.75 Chain DN200
81.0043	DSG-1 Chain DN100
81.0044	DSG-1 Chain DN150
81.0045	DSG-1 Chain DN200
81.0046	DSG-1 Chain DN250
81.0047	DSG-1 Chain DN300



	DSG-1	DSG-0.75	DSG-0.5
	1" F	3/4" F	1/2" F
	300	190	70
	137	200	270
	6 x M8	4 x M6	6 x M6
	3 x M8	3 x M6	3 x M6
	Φ70 x 150	Φ53 x 92.4	Φ36 x 68
	100-300	100-200	50-150
	3.3	1.1	0.4

NOZZLES FOR MUNICIPAL Chain Pagoda



The nozzle is made of wear-resistant hardened stainless steel, different chains for different pipe sizes, must be used together with Extension Kit. It can remove the root, grease and mineral deposits more easily. All ceramic inserts are replaceable.

The LTBT5.3 Kits contains Nozzles, DN200-250-300 Chains and tool kit. The LTBT5.3-1 Kits contains Nozzles, DN400-500-600 Chains and tool kit.

INTERFACE THREAD:
NPT or BSPP

MAX PRESSURE:
200Bar. Different flows and pressures are available on request.



	LTBT5.3	LTBT5.3-1
	1"	1"
	230	230
	200	200
	6 x M10x1	6 x M10x1
	3 x M10x1	3 x M10x1
	Φ125 x 195	Φ125 x 195
	200-600	200-600
	5.3	5.3

NOZZLES FOR MUNICIPAL O-Chain Pagoda



The nozzle is made of wear-resistant hardened stainless steel, different chains for different pipe sizes, must be used together with Extension Kit. It can remove the root, grease and mineral deposits more easily. All ceramic inserts are replaceable.

The DHLTBT5.3 Kits contains Nozzles, DN200-250-300 Chains and tool kit.
The DHLTBT5.3-1 Kits contains Nozzles, DN400-500-600 Chains and tool kit.

INTERFACE THREAD:
NPT or BSPP

MAX PRESSURE:
200Bar. Different flows and pressures are available on request.



Hose Connection Rear Jets Rotating Jets

	DHLTBT5.3	DHLTBT5.3-1
	1"	1"
	230	230
	200	200
	6 x M10x1	6 x M10x1
	3 x M10x1	3 x M10x1
	Φ125 x 195	Φ125 x 195
	200-600	200-600
	5.3	5.3



NOZZLES FOR MUNICIPAL Chain Cutter

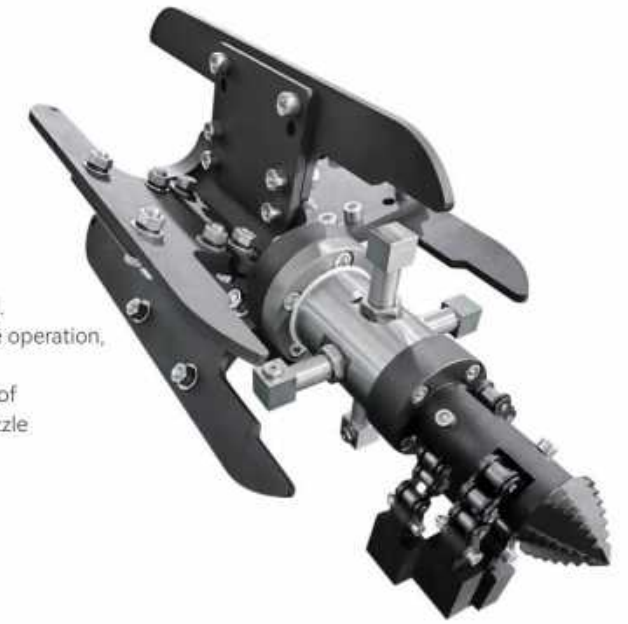


The nozzle is made of wear-resistant hardened stainless steel. Choose suitable Kits and chains for different pipe sizes before operation, and use it in conjunction with a high-pressure swivel. The standard configuration of JP25 can be operated in pipes of DN300/350/400, while the Extension Kits will increase the nozzle operation up to DN800.

APPLICATION:
Removing roots, ice, limestone, concrete, etc. in pipelines.

INTERFACE THREAD:
NPT or BSPP

MAX PRESSURE:
172Bar. Different flows and pressures are available on request.



	JP17	JP19	JP25
	1" F	1" F	1" F
	215	250	270
	137	137	137
	10 x M10x1	10 x M10x1	10 x M10x1
	4 x M10x1	4 x M10x1	4 x M10x1
	Φ192 x 502	Φ242 x 502	Φ283 x 569
	200	250	300-800
	17	19	25

EXTENSION KITS

81.0024	Fixed Kit DN300-400	
81.0025	Fixed Kit DN500-600	
81.0026	Fixed Kit DN700-800	
81.0027	Chain DN300	
81.0028	Chain DN350	
81.0029	Chain DN400	
81.0030	Chain DN500	
81.0031	Chain DN550	
81.0032	Chain DN600	
81.0033	Chain DN700	
81.0034	Chain DN750	
81.0035	Chain DN800	

NOZZLES FOR MUNICIPAL

Hydro Excavating Nozzle



The nozzle consists of stainless steel body, ceramic inserts and plastic shell. All ceramic inserts are replaceable, which extend the service life several times than drilled nozzles.

APPLICATION:
Removing concrete, mud deposit;
Cleaning floors, steps, walls, traffic signs, etc.

INTERFACE THREAD:
NPT or BSPP

MAX PRESSURE:
276Bar. Different flows and pressures are available on request.



	SLWJ2 #2	SLWJ2 #3	SLWJ2 #4	SLWJ2 #5	SLWJ2 #6	SLWJ3 #2	SLWJ3 #3	SLWJ3 #4	SLWJ3 #5	SLWJ3 #6
	1/2" F	1/2" F	1/2" F	1/2" F	1/2" F	1/2" F	1/2" F	1/2" F	1/2" F	1/2" F
	12	18	24	30	36	18	27	36	45	54
	170	170	170	170	170	170	170	170	170	170
	2 x G1/4	2 x G1/4	2 x G1/4	2 x G1/4	2 x G1/4	3 x G1/4	3 x G1/4	3 x G1/4	3 x G1/4	3 x G1/4
	49 x 79	49 x 79	49 x 79	49 x 79	49 x 79	49 x 79	49 x 79	49 x 79	49 x 79	49 x 79
	0.6	0.6	0.6	0.6	0.6	0.6	0.6	0.6	0.6	0.6

NOZZLES FOR MUNICIPAL

Turbo Nozzle



APPLICATION:
Widely used in a variety of industries including Sewer Cleaning, Contract Cleaning, Hydro Excavation, Mining, Potholing, Agriculture, Directional Drilling, Slurry Removal, Industrial Clean-up, Waste Clean-up, Lift-Station Clean-up, Manhole Clean-out, Culvert Clean-out, Lateral and Storm Drain Clean-out, Oil Spill Clean-up, Natural Disaster cleaning applications! It comes in a variety of sizes to fit any cleaning situation.

INTERFACE THREAD:
NPT or BSPP

REMINDER:
Always start the turbo nozzle in the downward-facing position to reduce the risk of damaging the internal components.



	TN-350	TN-250	TN-200
	350Bar	250Bar	200Bar
	100°C	100°C	100°C
	1/4" F	1/4" F	1/4" F
	Brass+Rubber	Brass+Rubber	Brass+Rubber
	3.0-8.0	3.0-8.0	3.0-8.0

NOZZLES FOR DOMESTIC
Torpedo Mini



The nozzle is made of wear-resistant hardened stainless steel.
All nozzles use replaceable ceramic inserts, significantly extending their lifespan.

APPLICATION:

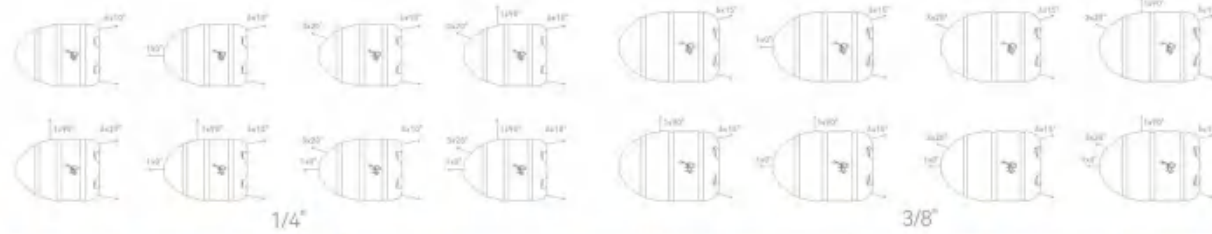
Removing and breaking up stubborn blockages in pipelines, as well as cleaning other kinds of obstructions, e.g. limestone deposits, sand, gravel, sludge, grease, mud.

INTERFACE THREAD:

NPT or BSPP

MAX PRESSURE:

300Bar. Different flows and pressures are available on request.



Icon	Icon	Icon	Icon	Icon	Icon	Icon	Icon	Icon	Icon
SL0.085-1	1/4"	50	275			6 x M4	∅25.7 x 35	30-100	0.085
SL0.085-2	1/4"	50	275	1 x M4		6 x M4	∅25.7 x 35	30-100	0.085
SL0.085-3	1/4"	50	275	3 x M4		6 x M4	∅25.7 x 35	30-100	0.085
SL0.085-4	1/4"	50	275	3 x M4	1 x M4	6 x M4	∅25.7 x 35	30-100	0.085
SL0.085-5	1/4"	50	275		1 x M4	6 x M4	∅25.7 x 35	30-100	0.085
SL0.085-6	1/4"	50	275	1 x M4	1 x M4	6 x M4	∅25.7 x 35	30-100	0.085
SL0.085-7	1/4"	50	275	4 x M4		6 x M4	∅25.7 x 35	30-100	0.085
SL0.085-8	1/4"	50	275	4 x M4	1 x M4	6 x M4	∅25.7 x 35	30-100	0.085
SL0.32-1	3/8"	70	275			6 x M6	∅38.1 x 55	50-150	0.32
SL0.32-2	3/8"	70	275	1 x M6		6 x M6	∅38.1 x 55	50-150	0.32
SL0.32-3	3/8"	70	275	3 x M6		6 x M6	∅38.1 x 55	50-150	0.32
SL0.32-4	3/8"	70	275	3 x M6	1 x M6	6 x M6	∅38.1 x 55	50-150	0.32
SL0.32-5	3/8"	70	275		1 x M6	6 x M6	∅38.1 x 55	50-150	0.32
SL0.32-6	3/8"	70	275	1 x M6	1 x M6	6 x M6	∅38.1 x 55	50-150	0.32
SL0.32-7	3/8"	70	275	4 x M6		6 x M6	∅38.1 x 55	50-150	0.32
SL0.32-8	3/8"	70	275	4 x M6	1 x M6	6 x M6	∅38.1 x 55	50-150	0.32

NOZZLES FOR DOMESTIC
Penetrator Mini



The nozzle is made of wear-resistant hardened stainless steel, it has an excellent high penetrating thrust with 4 forward-penetrating jets. Its sharp edges can cut, break and penetrate various blockages. All ceramic inserts used are replaceable, which extend the service life several times than drilled nozzles.

APPLICATION:

Cleaning complete blockage caused by rocks, ice, limestone, condensation, roots, etc. in pipelines.

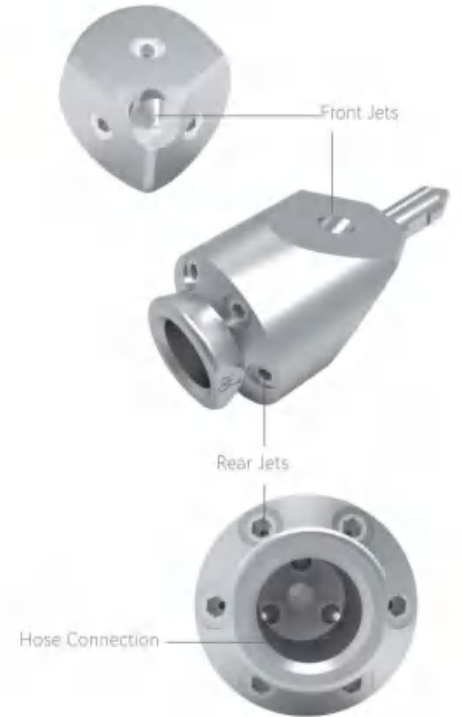
ATTENTION:

It recommends to do not use this nozzle in sharp bends and plastic pipes due to the great destructive power of the sharp edges.

INTERFACE THREAD: NPT or BSPP

MAX PRESSURE:

300Bar. Different flows and pressures are available on request.



Icon	Icon	Icon	Icon	Icon	Icon	Icon	Icon	Icon
CC0.08-1	1/4"	70	275	4 x M4	6 x M4	∅25 x 40	40-100	0.08
CC0.21-1	3/8"	70	275	4 x M6	6 x M6	∅35 x 55	50-200	0.21

Icon	Icon	Icon	Icon	Icon	Icon	Icon	Icon	Icon
CC0.08	1/4"	70	275	4 x M4	6 x M4	∅25 x 40	40-100	0.08
CC0.21	3/8"	70	275	4 x M6	6 x M6	∅35 x 55	50-200	0.21

WEARING PART: DRILL POINT

Icon	Icon	Icon	Icon
CC0.08	Drill Point for CC0.08*	M4	∅6 x 20
CC0.21	Drill Point for CC0.21*	M6	∅10 x 26.7

NOZZLES FOR DOMESTIC
Round Ball



Stainless steel nozzle with a circular hexagonal design. Six 25° rear jets provide powerful washing. 8-80 LPM flow rate, 276 bar maximum pressure.

INTERFACE THREAD: NPT or BSPP

REMINDER: Inspect nozzle before each use. Replace if damaged or blocked.



No.	Size	Material	Design	Drill 1	Drill 2	Angle 1	Angle 2
YXLJ0.125	1/8"	Customer-Specific	Customer-Specific	1x Drill	6x Drill	0°	25°
YXLJ0.25	1/4"	Customer-Specific	Customer-Specific	1x Drill	6x Drill	0°	25°
YXLJ0.375	3/8"	Customer-Specific	Customer-Specific	1x Drill	6x Drill	0°	25°
YXLJ0.5	1/2"	Customer-Specific	Customer-Specific	1x Drill	6x Drill	0°	25°

Jetter



Stainless steel nozzle with a unique jet pattern. One penetrating jet and three propelling jets maximize blockage removal.

INTERFACE THREAD: NPT or BSPP

REMINDER: Inspect nozzle before each use. Replace if damaged or blocked.



No.	Size	Material	Design	Drill 1	Drill 2	Angle 1	Angle 2
CTSLJ0.125	1/8"	Customer-Specific	Customer-Specific	1x Drill	3x Drill	0°	45°
CTSLJ0.25	1/4"	Customer-Specific	Customer-Specific	1x Drill	3x Drill	0°	45°
CTSLJ0.375	3/8"	Customer-Specific	Customer-Specific	1x Drill	3x Drill	0°	45°
CTSLJ0.5	1/2"	Customer-Specific	Customer-Specific	1x Drill	3x Drill	0°	45°

NOZZLES FOR DOMESTIC
Rotary



Stainless steel nozzle with three angled rear jets. Designed for cleaning drains and sewers, it easily removes debris and scale buildup.

INTERFACE THREAD: NPT or BSPP

REMINDER: Inspect nozzle before each use. Replace if damaged or blocked.



No.	Size	Material	Design	Drill 1	Drill 2	Angle 1	Angle 2
XZXSD0.125	1/8"	Customer-Specific	Customer-Specific	3x Drill		45°	
XZXSD0.25	1/4"	Customer-Specific	Customer-Specific	3x Drill		45°	
XZXSD0.375	3/8"	Customer-Specific	Customer-Specific	3x Drill		45°	

Sharp



Stainless steel nozzle with a flow rate of 12-80 LPM and a maximum pressure of 276 bar. Suitable for light degreasing to heavy-duty ice removal.

INTERFACE THREAD: NPT or BSPP

REMINDER: Inspect nozzle before each use. Replace if damaged or blocked.



No.	Size	Material	Design	Drill 1	Drill 2	Angle 1	Angle 2
CTS0.125	1/8"	Customer-Specific	Customer-Specific	3x Drill	6x Drill	10°	35°
CTS0.25	1/4"	Customer-Specific	Customer-Specific	3x Drill	6x Drill	10°	35°
CTS0.375	3/8"	Customer-Specific	Customer-Specific	3x Drill	6x Drill	10°	35°
CTS0.5	1/2"	Customer-Specific	Customer-Specific	3x Drill	6x Drill	10°	35°

NOZZLES FOR DOMESTIC

Dropper



Stainless steel nozzle with articulated lead. Ideal for cleaning small drains and tight spaces due to its flexible design.

INTERFACE THREAD: NPT or BSPP

REMINDER: Inspect nozzle before each use. Replace if damaged or blocked.



DT0.125	1/8"	8		137	3x Drill	45°
DT0.25	1/4"	8		137	3x Drill	45°

Dancer



Wear-resistant stainless steel nozzle with two 90-degree rotating side nozzles and two 45-degree rear jets. With a flow rate of up to 190 liters per minute and a maximum pressure of 276 bar, this nozzle delivers exceptional cleaning performance.

INTERFACE THREAD: NPT or BSPP

REMINDER: Inspect nozzle before each use. Replace if damaged or blocked.



XZP20.25	1/4"	Customer-Specific	Customer-Specific		2x Drill	2x Drill	90°	45°
XZP20.375	3/8"	Customer-Specific	Customer-Specific		2x Drill	2x Drill	90°	45°
XZP20.5	1/2"	Customer-Specific	Customer-Specific		2x Drill	2x Drill	90°	45°

NOZZLES FOR DOMESTIC

Sewer Nozzle Kits



Waysing's sewer kits provide an exceptional value by offering a variety of nozzles at a discounted price compared to individual purchases. Each kit is custom-drilled to precisely match the specific flow rate and pressure of your jetting equipment, ensuring optimal cleaning performance. Every kit comes in a convenient and durable storage case for easy transport.



APPLICATION:



Tips: We can tailor the kit to fit your unique needs.

Ceramic Inserts

The ceramic insert consists of a stainless steel shell and ceramic core, can service much longer than hardened steel inserts or drilled nozzles. It provides an extremely strong, compact water jets.



CERAMIC INSERTS WITH HEX. EXTERNAL HEAD

Part No.	Material	Thread	SW	Core Size
2.01.06.00	Hardened Stainless Steel	M6	SW5	Plug
2.01.06.04 ~ 2.01.06.15	Ceramic Core	M6	SW5	Φ0.4 ~ Φ1.5 (in increasement of 0.1 mm)
2.01.06.18	Ceramic Core	M6	SW5	Φ1.8
2.01.06.20	Ceramic Core	M6	SW5	Φ2.0
2.01.08.00	Hardened Stainless Steel	M8	SW8	Plug
2.01.08.04 ~ 2.01.08.15	Ceramic Core	M8	SW8	Φ0.4 ~ Φ1.5 (in increasement of 0.1 mm)
2.01.08.18	Ceramic Core	M8	SW8	Φ1.8
2.01.08.20	Ceramic Core	M8	SW8	Φ2.0
2.01.10.00	Hardened Stainless Steel	M10 x 1	SW10	Plug
2.01.10.08	Ceramic Core	M10 x 1	SW10	Φ0.8
2.01.10.10 ~ 2.01.10.18	Ceramic Core	M10 x 1	SW10	Φ1.0 ~ Φ1.8 (in increasement of 0.1mm)
2.01.10.20 ~ 2.01.10.22	Ceramic Core	M10 x 1	SW10	Φ2.0 ~ Φ2.2 (in increasement of 0.1mm)
2.01.10.25	Ceramic Core	M10 x 1	SW10	Φ2.5
2.01.10.27	Ceramic Core	M10 x 1	SW10	Φ2.7
2.01.10.28	Ceramic Core	M10 x 1	SW10	Φ2.8
2.01.10.30 ~ 2.01.10.32	Ceramic Core	M10 x 1	SW10	Φ3.0 ~ Φ3.2 (in increasement of 0.1mm)
2.01.10.34	Ceramic Core	M10 x 1	SW10	Φ3.4
2.01.125N.00	Hardened Stainless Steel	1/8 NPT	SW10	Plug
2.01.125N.08	Ceramic Core	1/8 NPT	SW10	Φ0.8
2.01.125N.10 ~ 2.01.125N.18	Ceramic Core	1/8 NPT	SW10	Φ1.0 ~ Φ1.8 (in increasement of 0.1mm)
2.01.125N.20	Ceramic Core	1/8 NPT	SW10	Φ2.0
2.01.125N.25	Ceramic Core	1/8 NPT	SW10	Φ2.5
2.01.125N.27	Ceramic Core	1/8 NPT	SW10	Φ2.7
2.01.125N.28	Ceramic Core	1/8 NPT	SW10	Φ2.8
2.01.125N.30	Ceramic Core	1/8 NPT	SW10	Φ3.0
2.01.125N.31	Ceramic Core	1/8 NPT	SW10	Φ3.1
2.01.125N.32	Ceramic Core	1/8 NPT	SW10	Φ3.2
2.01.125N.34	Ceramic Core	1/8 NPT	SW10	Φ3.4
2.01.25N.00	Hardened Stainless Steel	1/4 NPT	SW14	Plug
2.01.25N.08	Ceramic Core	1/4 NPT	SW14	Φ0.8
2.01.25N.10 ~ 2.01.25N.18	Ceramic Core	1/4 NPT	SW14	Φ1.0 ~ Φ1.8 (in increasement of 0.1mm)
2.01.25N.20	Ceramic Core	1/4 NPT	SW14	Φ2.0
2.01.25N.25	Ceramic Core	1/4 NPT	SW14	Φ2.5
2.01.25N.27	Ceramic Core	1/4 NPT	SW14	Φ2.7
2.01.25N.28	Ceramic Core	1/4 NPT	SW14	Φ2.8
2.01.25N.30	Ceramic Core	1/4 NPT	SW14	Φ3.0
2.01.25N.31	Ceramic Core	1/4 NPT	SW14	Φ3.1
2.01.25N.32	Ceramic Core	1/4 NPT	SW14	Φ3.2
2.01.25N.34	Ceramic Core	1/4 NPT	SW14	Φ3.4
2.01.375U.00	Hardened Stainless Steel	3/8 UNF-24	SW9.5	Plug
2.01.375U.08	Ceramic Core	3/8 UNF-24	SW9.5	Φ0.8
2.01.375U.10 ~ 2.01.375U.18	Ceramic Core	3/8 UNF-24	SW9.5	Φ1.0 ~ Φ1.8 (in increasement of 0.1mm)

Part No.	Material	Thread	SW	Core Size
2.01.375U.20	Ceramic Core	3/8 UNF-24	SW9.5	Φ2.0
2.01.375U.21	Ceramic Core	3/8 UNF-24	SW9.5	Φ2.1
2.01.375U.22	Ceramic Core	3/8 UNF-24	SW9.5	Φ2.2
2.01.375U.25	Ceramic Core	3/8 UNF-24	SW9.5	Φ2.5
2.01.375U.27	Ceramic Core	3/8 UNF-24	SW9.5	Φ2.7
2.01.375U.28	Ceramic Core	3/8 UNF-24	SW9.5	Φ2.8
2.01.375U.30	Ceramic Core	3/8 UNF-24	SW9.5	Φ3.0
2.01.375U.31	Ceramic Core	3/8 UNF-24	SW9.5	Φ3.1
2.01.375U.32	Ceramic Core	3/8 UNF-24	SW9.5	Φ3.2
2.01.375U.34	Ceramic Core	3/8 UNF-24	SW9.5	Φ3.4
2.01.125G.00	Hardened Stainless Steel	G1/8	SW14	Plug
2.01.125G.08	Ceramic Core	G1/8	SW14	Φ0.8
2.01.125G.10	Ceramic Core	G1/8	SW14	Φ1.0
2.01.125G.12	Ceramic Core	G1/8	SW14	Φ1.2
2.01.125G.15	Ceramic Core	G1/8	SW14	Φ1.5
2.01.125G.17	Ceramic Core	G1/8	SW14	Φ1.7
2.01.125G.18	Ceramic Core	G1/8	SW14	Φ1.8
2.01.125G.20	Ceramic Core	G1/8	SW14	Φ2.0
2.01.125G.21	Ceramic Core	G1/8	SW14	Φ2.1
2.01.125G.22	Ceramic Core	G1/8	SW14	Φ2.2
2.01.125G.25	Ceramic Core	G1/8	SW14	Φ2.5
2.01.125G.27	Ceramic Core	G1/8	SW14	Φ2.7
2.01.125G.28	Ceramic Core	G1/8	SW14	Φ2.8
2.01.125G.30	Ceramic Core	G1/8	SW14	Φ3.0
2.01.125G.31	Ceramic Core	G1/8	SW14	Φ3.1
2.01.125G.32	Ceramic Core	G1/8	SW14	Φ3.2
2.01.125G.34	Ceramic Core	G1/8	SW14	Φ3.4
2.01.25G.00	Hardened Stainless Steel	G1/4	SW14	Plug
2.01.25G.08	Ceramic Core	G1/4	SW14	Φ0.8
2.01.25G.10 ~ 2.01.25G.18	Ceramic Core	G1/4	SW14	Φ1.0 ~ Φ1.8 (in increasement of 0.1mm)
2.01.25G.20	Ceramic Core	G1/4	SW14	Φ2.0
2.01.25G.21	Ceramic Core	G1/4	SW14	Φ2.1
2.01.25G.22	Ceramic Core	G1/4	SW14	Φ2.2
2.01.25G.25	Ceramic Core	G1/4	SW14	Φ2.5
2.01.25G.27	Ceramic Core	G1/4	SW14	Φ2.7
2.01.25G.28	Ceramic Core	G1/4	SW14	Φ2.8
2.01.25G.30	Ceramic Core	G1/4	SW14	Φ3.0
2.01.25G.31	Ceramic Core	G1/4	SW14	Φ3.1
2.01.25G.32	Ceramic Core	G1/4	SW14	Φ3.2
2.01.25G.34	Ceramic Core	G1/4	SW14	Φ3.4



CERAMIC INSERTS WITH HEX. INTERNAL HEAD

2.02.04.04 ~ 2.02.04.08	Ceramic Core	M4	SW2	Φ0.4 ~ Φ0.8 (in increasement of 0.1 mm)
2.02.04.12	Ceramic Core	M4	SW2	Φ1.2
2.02.06.04 ~ 2.02.06.15	Ceramic Core	M6	SW2.5	Φ0.4 ~ Φ1.5 (in increasement of 0.1 mm)
2.02.06.18	Ceramic Core	M6	SW2.5	Φ1.8
2.02.06.20	Ceramic Core	M6	SW2.5	Φ2.0
2.02.08.04 ~ 2.02.08.15	Ceramic Core	M8	SW2.5	Φ0.4 ~ Φ1.5 (in increasement of 0.1 mm)
2.02.08.18	Ceramic Core	M8	SW2.5	Φ1.8
2.02.08.20	Ceramic Core	M8	SW2.5	Φ2.0

PARTS AND ACCESSORIES

Pipe Skids

Centering Skids



Part Number	Size	Thickness
CS-0012-04	4" ID Pipe	1/2"
CS-0034-04	4" ID Pipe	3/4"
CS-0010-04	4" ID Pipe	1"
CS-0012-06	6" ID Pipe	1/2"
CS-0034-06	6" ID Pipe	3/4"
CS-0010-06	6" ID Pipe	1"
CS-0012-08	8" ID Pipe	1/2"
CS-0034-08	8" ID Pipe	3/4"
CS-0010-08	8" ID Pipe	1"
CS-0012-10	10" ID Pipe	1/2"
CS-0034-10	10" ID Pipe	3/4"
CS-0010-10	10" ID Pipe	1"
CS-0012-12	12" ID Pipe	1/2"
CS-0034-12	12" ID Pipe	3/4"
CS-0010-12	12" ID Pipe	1"
CS-0012-15	15" ID Pipe	1/2"
CS-0034-15	15" ID Pipe	3/4"
CS-0010-15	15" ID Pipe	1"

Finned Steel Style Nozzle Extensions



Part Number	Size	Number of Fins
FSS-0034-04	3/4"	4 fins
FSSL-0034-04	3/4" large	4 fins
FSSS-0012-04	1/2" small	4 fins
FSSL-0012-04	1/2" large	4 fins
FSS-0600-06	6"	6 fins
FSS-0800-06	8"	6 fins
FSS-1000-06	10"	6 fins
FSS-1200-06	12"	6 fins
FSS-1500-06	15"	6 fins
FSS-1800-06	18"	6 fins

PARTS AND ACCESSORIES

Pipe Skids

Nozzle Extension



Part Number	Wire Count	Size
NE-0101-04	4-wire	1"X4"
NE-0106-04	4-wire	1"X6"
NE-0108-04	4-wire	1"X8"
NE-0110-04	4-wire	1"X10"
NE-0112-04	4-wire	1"X12"
NES-0034-04	4-wire	3/4"small
NEL-0034-04	4-wire	3/4"large
NES-0012-04	4-wire	1/2"small
NEL-0012-04	4-wire	1/2"large
NES-0001-04	4-wire	1"small
NEL-0001-04	4-wire	1"large
NES-0114-04	4-wire	1-1/4"small
NEL-0114-04	4-wire	1-1/4"large
NE-0104-06	6-WIRE	1"X4"
NE-0106-06	6-WIRE	1"X6"
NE-0108-06	6-WIRE	1"X8"
NE-0110-06	6-WIRE	1"X10"
NE-0112-06	6-WIRE	1"X12"
NE-0115-06	6-WIRE	1"X15" 156
NE-0034-06	6-WIRE	3/4"
NE-0001-06	6-WIRE	1"

Football Type Nozzle Extension



Part Number	Size
FDNE-0034S	3/4"small
FDNE-0034L	3/4"large
FDNE-0012S	1/2"small
FDNE-0012L	1/2"large
FDNE-0104-ZP	1"X 4" 77
FDNE-0106-ZP	1"X 6" 81
FDNE-0108-ZP	1"X 8" 88
FDNE-0110-ZP	1"X 10" 92
FDNE-0112-ZP	1"X 12" 101
FDNE-0104-CS	1" X 4" 86
FDNE-0106-CS	1"X 6" 98
FDNE-0108-CS	1"X 8" 98

* steel runners are made of 5/16" spring steel for long life

Hydraulic Slurry Pump

Outlet coupler size	3"
Dimension	309*228*433mm
Weight	16 kg
Flow	20-30Lpm
Pressure	120-140 bar
drainage efficiency	85 m ³ /h
Maximum lift	30 M
Maximum solid particle diameter	30 mm
Order Number	91.11.03.002
Outlet coupler size	4"
Dimension	485*422*402mm
Weight	28.5kg
Flow	30-40Lpm
Pressure	120-160 bar
drainage efficiency	210 m ³ /h
Maximum lift	26 M
Maximum solid particle diameter	40 mm
Order Number	91.11.03.001

Hydraulic Submersible Pump

Outlet coupler size	8"
Dimension	551*230 mm
Weight	25 kg
Flow	70-80 Lpm
Pressure	160-180 Bar
drainage efficiency	500m ³ /h
Maximum lift	12 M
Maximum solid particle diameter	20 mm
Order Number	91.12.01.001



Hydraulic Power Station

Design element

Steel frame and threaded connections for easy assembly, disassembly, and maintenance.

Efficient and durable

Independent air cooling systems for the engine oil and hydraulic oil ensure smooth and reliable operation.

Performance output

Powered by imported engine for superior performance, fuel efficiency, and lower emissions.

Economical and practical

Offering both single and double oil circuit output options for better cost-effectiveness.



Technical Specification

Engine Brand	Honda
Engine power	18HP
Start-up	Electric
Fuel type	Petrol
Flow(L/m)	1*40
Pressure	172bar
Fuel Tank	21L
Hydraulic oil Tank	13L
Weight	145KG
Order No.	93.05.06.001

Engine Brand	Briggs & Stratton
Engine power	35HP
Start-up	Electric
Fuel type	Petrol
Flow(L/m)	2*40/1*80
Pressure	172bar
Fuel Tank	26L
Hydraulic oil Tank	21L
Weight	204KG
Order No.	93.05.06.002

High Pressure Sewer Jetter



Operating form

Remote electrical control system significantly enhances work efficiency.



convenience

Equipped with front pneumatic tires and rear solid omni-directional wheels, offering flexible steering.



Design element

Refined layout, making the structure compact and the volume smaller.



Stable performance

Equipped with imported engine and pump, offering high horsepower and minimal power loss.

Technical Specification

Engine Brand	Briggs & Stratton
Flow (L/m)	30 / 40 / 54 / 70
Pressure (Bar)	150 / 200 / 300
Fuel Type	Petrol
Fuel Tank	25L
Start-up	Electric
Hose Reel	Electric
HP Plunger Pump	Domestic or Imported
Order No.	93.06.06.001

Straight Reel Swivel

Crafted from stainless steel, the compact and lightweight design minimizes pressure loss. The unit allows for effortless 360-degree rotation, even when pressurized fluids and connections are present in both high-pressure pipes and hoses. Custom dimensions are available upon request.



APPLICATION:

Connects high-pressure pipes and hoses, eliminating pipe entanglement issues.

INTERFACE THREAD:

M NPTx F NPT, M BSP x F BSP

	ZT100	ZT125	ZT150
	1*M x 1°F	1-1/4*M x 1-1/4°F	1-1/2*M x 1-1/2°F
	50	50	50
	100	100	100
	300	300	300

NOZZLES FOR MUNICIPAL

90° Reel Swivel

Crafted from stainless steel, the compact and lightweight design minimizes pressure loss. Custom dimensions are available upon request.



APPLICATION:

Widely used on trucks and trailers.

INTERFACE THREAD:

M NPTx M NPT, M BSP x M BSP, F NPTx F NPT, F BSP x F BSP

	ZJ100	ZJ100-1	ZJ125	ZJ125-1	ZJ150	ZJ150-1
	1*Mx1*M	1°Fx1°F	1-1/4*M x 1-1/4*M	1-1/4°Fx1-1/4°F	1-1/2*Mx1-1/2*M	1-1/2°Fx1-1/2°F
	50	50	50	50	50	50
	100	100	100	100	100	100
	300	300	300	300	300	300

Hose Reel

Hose reels are devices for storing and using hoses or cables and are operated manually or automatically. Manual reels require turning a handle to wind and release, while automatic ones rewind with the push of a button. Our reeling devices are durable with a sturdy frame, high-quality springs, leak-free sealing and corrosion-resistant coating. It has been proven to be used in harsh environments and has a longer service life.



S730 Series

E Rubber Plastic
 I EPDM
 B PVC

Item	Length	I.D.	Material	W.P.	Connection	
					Inlet	Outlet
S7305104.0085	85m	3/8"	E I	20Bar	F3/8" G	M3/8" G
S7301204.0100	100m	3/8"	B	20Bar	F3/8" G	M3/8" G
S7305106.0050	50m	1/2"	E I	20Bar	F1/2" G	M1/2" G
S7301206.0050	50m	1/2"	B	20Bar	F1/2" G	M1/2" G



D720 Series

E Rubber Plastic
 I EPDM
 B PVC

Item	Length	I.D.	Material	W.P.	Connection	
					Inlet	Outlet
D7205106.040	40m	1/2"	E I	20Bar	F1/2" G	M1/2" G
D7205104.070	70m	3/8"	E I	20Bar	F3/8" G	M3/8" G
D7201204.080	80m	3/8"	B	20Bar	F3/8" G	M3/8" G
D7201206.040	40m	1/2"	B	20Bar	F1/2" G	M1/2" G



R630 Series

I SAE 100R2AT

Item	Length	I.D.	Material	W.P.	Connection	
					Inlet	Outlet
R630704.6415	15m	1/4"	I	350Bar	F1/4" G	M1/4" G
R630705.6415	15m	5/16"	I	300Bar	F5/16" G	M5/16" G
R630705.6415	15m	3/8"	I	280Bar	F3/8" G	M3/8" G
R630708.6410	10	1/2"	I	230Bar	F1/2" G	M1/2" G

R640 Series

I SAE 100R2AT

Item	Length	I.D.	Material	W.P.	Connection	
					Inlet	Outlet
R640704.6420	20	1/4"	I	350Bar	F1/4" G	M1/4" G
R640705.6420	20	5/16"	I	300Bar	F5/16" G	M5/16" G
R640706.6420	20	3/8"	I	280Bar	F3/8" G	M3/8" G
R640708.6415	15	1/2"	I	230Bar	F1/2" G	M1/2" G

Hose Reel



STEEL

D260	D2601204.035	D2606402.060	D2606204.040	D2606206.030
Hose I.D.:	3/8"	1/4"	3/8"	1/2"
Hose length:	50m	60m	40m	30m
Working pressure:	20bar	400bar/5800psi	180bar/2610psi	160bar/2320psi
Inlet connection:	F3/8" G	F1/4" G	F3/8" G	F1/2" G
Outlet connection:	M3/8" G	M1/4" G	M3/8" G	M1/2" G
Hose type:	PVC hose	EN857 2SC/SAE 100R16	EN857 1SC/SAE 100R17	EN857 1SC/SAE 100R17

STAINLESS STEEL

S260	S2601204.035	S2606402.060	S2606204.040	S2606206.030
Hose I.D.:	3/8"	1/4"	3/8"	1/2"
Hose length:	55m	60m	40m	30m
Working pressure:	20bar	400bar/5800psi	180bar/2610psi	160bar/2320psi
Inlet connection:	F3/8" G	F1/4" G	F3/8" G	F1/2" G
Outlet connection:	M3/8" G	M1/4" G	M3/8" G	M1/2" G
Hose type:	PVC hose	EN857 2SC/SAE 100R16	EN857 1SC/SAE 100R17	EN857 1SC/SAE 100R17



S210	S2101204.025	S2106402.030	S2106204.020	S2106206.015
Hose I.D.:	3/8"	1/4"	3/8"	1/2"
Hose length:	25m	30m	20m	15m
Working pressure:	20bar	400bar/5800psi	180bar/2610psi	160bar/2320psi
Inlet connection:	F3/8" G	F1/4" G	F3/8" G	F1/2" G
Outlet connection:	M3/8" G	M1/4" G	M3/8" G	M1/2" G
Hose type:	PVC hose	EN857 2SC/SAE 100R16	EN857 1SC/SAE 100R17	EN857 1SC/SAE 100R17

S220	S2201204.035	S2206402.060	S2206204.040	S2206206.030
Hose I.D.:	3/8"	1/4"	3/8"	1/2"
Hose length:	55m	60m	50m	30m
Working pressure:	20bar	400bar/5800psi	180bar/2610psi	160bar/2320psi
Inlet connection:	F3/8" G	F1/4" G	F3/8" G	F1/2" G
Outlet connection:	M3/8" G	M1/4" G	M3/8" G	M1/2" G
Hose type:	PVC hose	EN857 2SC/SAE 100R16	EN857 1SC/SAE 100R17	EN857 1SC/SAE 100R17

Spray Gun



	SGS-350	SGZ-250	SGZ-500
	350 bar	250 bar	500bar
	45lpm		60lpm
	160°C	60°C	60°C
	26cm	34cm	120cm
	Engineering Plastic, Copper, Stainless Steel		



Premium engineering plastic



Stainless steel fitting, anti-corrosion, wear-resistant



Non-slip grip for a comfortable hold.

Surface Cleaners



	STC-24	STC-20	XDP-18
	3/8" Quick Plug	3/8" Quick Plug	3/8" Quick Plug
	24"	20"	18"
	6000 psi / 413 bar	4200psi / 289 bar	4200psi / 289 bar
	4.0gpm / 18 lpm	4.0 gpm / 18 lpm	4.0gpm / 18 lpm
	70°C / 158°F	40°C / 104°F	40°C / 104°F
	Stainless Steel	Stainless Steel	Stainless Steel



Stainless steel fan nozzle, anti-corrosion, leak-free



Stainless steel shaft, anti-corrosion, long-lasting.



Encrypted bristle brush for superior dirt removal

Ringlock



Ringlock Weld Type Full Set

RLW-400	4"
RLW-600	6"
RLW-800	8"



Ringlock Weld Type Male End

RLWM-400	4"
RLWM-600	6"
RLWM-800	8"



Ringlock Hose Shank Type Male End

RLM-400	4"
RLM-600	6"
RLM-800	8"



Ringlock Dust Cap

RLDC-400	4"
RLDC-600	6"
RLDC-800	8"



Ringlock 45° Elbow

RLEL-400-45°	4"
RLEL-600-45°	6"
RLEL-800-45°	8"



Ringlock Weld Type Female End

RLWF-400	4"
RLWF-600	6"
RLWF-800	8"



Ringlock Hose Shank Type Full Set

RL-400	4"
RL-600	6"
RL-800	8"



Ringlock Hose Shank Type Female End

RLF-400	4"
RLF-600	6"
RLF-800	8"



Ringlock Dust Plug

RLDC-400	4"
RLDC-600	6"
RLDC-800	8"



Ringlock 90° Elbow

RLEL-400-90°	4"
RLEL-600-90°	6"
RLEL-800-90°	8"

Ringlock



Ringlock Reducer

RLRE-40F60M	4" Female x 6" Male
RLRE-60F80M	6" Female x 8" Male
RLRE-40F60M	4" Male x 6" Female
RLRE-60M80F	6" Male x 8" Female



Alum Ringlock Weld Type Female End

RLWF-400-AL	4"
RLWF-600-AL	6"
RLWF-800-AL	8"



Alum Ringlock Weld Type Male End

RLWM-400-AL	4"
RLWM-600-AL	6"
RLWM-800-AL	8"



Alum Ringlock Hose Shank Female End

RLF-400-AL	4"
RLF-600-AL	6"
RLF-800-AL	8"



Alum Ringlock Hose Shank Male End

RLM-400-AL	4"
RLM-600-AL	6"
RLM-800-AL	8"



Alum Ringlock Reducer

RLRE-80F60M-AL	8" Female x 6" Male
RLRE-60F80M-AL	6" Female x 8" Male
RLRE-60F40M-AL	6" Male x 4" Female

Ringlock



Ringlock End Tee		
	RLET-444	4" F x 4" F x 4" M
	RLET-666	6" F x 6" F x 6" M
	RLET-888	8" F x 8" F x 8" M

Safety Tee, Relief Valve		
	STRV-400	4" W/Male x Female End
	STRV-600	6" W/Male x Female End
	STRV-800	8" W/Male x Female End

Ring Lock Water Ring		
	RLWR-600	6" Water Ring
	RLWR-800	8" Water Ring

Ring Lock Line Tee		
	RLLT-444	4" M x 4" M x 4" F
	RLLT-666	6" M x 6" M x 6" F
	RLLT-888	8" M x 8" M x 8" F

Ring Lock WYE		
	RLWY644	6" M-4" Fx4" F
	RLWY666	6" M-6" Fx6" F
	RLWY844	8" M-4" Fx4" F
	RLWY866	8" M-6" Fx6" F



Alum Crown		
	CN400-AL	4"
	CN600-AL	6"
	CN800-AL	8"

Steel Crown		
	CN400-CS	4"
	CN600-CS	6"
	CN800-CS	8"

Ring Lock Crown Female		
	RLCF400	4"
	RLCF600	6"
	RLCF800	8"

Ring Lock Crown Male		
	RLCM400	4"
	RLCM600	6"
	RLCM800	8"

Tube Crown		
	TC-600-PU	6" Crown
	TC-800-PU	8" Crown
	TB-600-PU	6" Barrel
	TB-800-PU	8" Barrel


Ringlock




Ring Lock 90 Degree Sharp Elbow		
	RLDE90-400	4"
	RLDE90-600	6"
	RLDE90-800	8"

Ring Lock Flat Flange Reducer x Female		
	FRF88	8" FLA x 8" F
	FRF86	8" FLA x 6" F
	FRF84	8" FLA x 4" F
	FRF66	6" FLA x 6" F
	FRF64	6" FLA x 4" F

Ring Lock Weld On Flange		
	FW400	4"
	FW600	6"
	FW800	8"
	FW400-AL	4"
	FW600-AL	6"
	FW800-AL	8"

Alum Ring Lock Flat Flange With Crown		
	FL6CR4-AL	6" Flat Flangex4"Crown
	FL8CR6-AL	8" Flat Flangex6"Crown
	FL8CR4-AL	8" Flat Flangex4"Crown

Ring Lock Flat Flange x Flange Reducer		
	FFR64	6" X4"
	FFR84	8" X4"
	FFR86	8" X6"




Ring Lock 45 Degree Sharp Elbow		
	RLDE45-400	4"
	RLDE45-600	6"
	RLDE45-800	8"

Ring Lock Flat Flange Reducer x Male		
	FRM88	8" FLA x 8" M
	FRM86	8" FLA x 6" M
	FRM84	8" FLA x 4" M
	FRM66	6" FLA x 6" M
	FRM64	6" FLA x 4" M

Ring Lock Flag Flange Elbow 90 Degree		
	FE90-600	6"
	FE90-800	8"

Ring Lock Flag Flange Elbow 45 Degree		
	FE45-600	6"
	FE45-800	8"

Ring Lock Flat Flange x Flange Straight		
	FFS-64	6" x4"
	FFS-84	8" x4"
	FFS-86	8" x6"

Ring Lock Flat Flange x Hose End		
	FFSE-600	6"
	FFSE-800	8"

Tubes

Alu Tubes With Male And Female Ringlock



TMF600-3	6" * 3ft
TMF600-4	6" * 4ft
TMF600-5	6" * 5ft
TMF600-6	6" * 6ft
TMF600-7	6" * 7ft
TMF800-3	8" * 3ft
TMF800-4	8" * 4ft
TMF800-5	8" * 5ft
TMF800-6	8" * 6ft
TMF800-7	8" * 7ft
TMF800-8	8" * 8ft

Alu Tubes With Alu Crown And Male Ringlock



TSAM600-3	6" * 3ft
TSAM600-4	6" * 4ft
TSAM600-5	6" * 5ft
TSAM600-6	6" * 6ft
TSAM600-7	6" * 7ft
TSAM800-3	8" * 3ft
TSAM800-4	8" * 4ft
TSAM800-5	8" * 5ft
TSAM800-6	8" * 6ft
TSAM800-7	8" * 7ft
TSAM800-8	8" * 8ft

Alu Tubes With Welded Flange And Steel Crown



TFC600-3	6" * 3ft
TFC600-4	6" * 4ft
TFC600-5	6" * 5ft
TFC600-6	6" * 6ft
TFC600-7	6" * 7ft
TFC800-3	8" * 3ft
TFC800-4	8" * 4ft
TFC800-5	8" * 5ft
TFC800-6	8" * 6ft
TFC800-7	8" * 7ft
TFC800-8	8" * 8ft

Alu Tubes With Welded Flange



TFF600-3	6" * 3ft
TFF600-4	6" * 4ft
TFF600-5	6" * 5ft
TFF600-6	6" * 6ft
TFF600-7	6" * 7ft
TFF800-3	8" * 3ft
TFF800-4	8" * 4ft
TFF800-5	8" * 5ft
TFF800-6	8" * 6ft
TFF800-7	8" * 7ft
TFF800-8	8" * 8ft

Alu Tubes With PU Crown And Male Ringlock



TPCM600-3	6" * 3ft
TPCM600-4	6" * 4ft
TPCM600-5	6" * 5ft
TPCM600-6	6" * 6ft
TPCM600-7	6" * 7ft
TPCM800-3	8" * 3ft
TPCM800-4	8" * 4ft
TPCM800-5	8" * 5ft
TPCM800-6	8" * 6ft
TPCM800-7	8" * 7ft
TPCM800-8	8" * 8ft

Alu Tubes With PU Barrel And Male Ringlock



TMB300-3	6" * 3ft
TMB300-4	6" * 4ft
TMB300-5	6" * 5ft
TMB300-6	6" * 6ft
TMB300-7	6" * 7ft
TMB800-3	8" * 3ft
TMB800-4	8" * 4ft
TMB800-5	8" * 5ft
TMB800-6	8" * 6ft
TMB800-7	8" * 7ft
TMB800-8	8" * 8ft

Clamp

T-Bolt Clamp

	18*0.6mm	23-25mm
	20*0.8mm	32-35mm
		36-39mm
		40-43mm
		44-47mm
	22*1.2mm	48-51mm
		52-55mm
		56-59mm
		60-63mm
	24*1.5mm	64-67mm
68-73mm		
74-79mm		
80-85mm		
86-91mm		
113-121mm		
26*1.7mm	122-130mm	
	162-174mm	
	175-187mm	

Clamp With Loop

	CLPL600	6"
	CLPL800	8"

Worm Clamp

	2WCL200	2"
	WCL300	3"
	WCL400	4"
	WCL500	5"
	WCL600	6"
	WCL800	8"

Ring Lock Clamp

	RLC400	4"
	RLC600	6"
	RLC800	8"

Clamp With Hook

	CLPH600	6"
	CLPH800	8"

Double Bolt

	SL400	88-96mm
	SL463	96-103mm
	SL525	103-125mm
	SL550	114-128mm
	SL600	130-144mm
	SL675	151-165mm
	SL769	165-192mm
	SL818	195-208mm
	SL875	210-225mm
	SL988	227-239mm

Left Hand & Right Hand Spiral Clamp

	SC-150-L	SC-150-R	1-1/2" Spiral Clamp
	SC-200-L	SC-200-R	2" Spiral Clamp
	SC-250-L	SC-250-R	2-1/2" Spiral Clamp
	SC-300-L	SC-300-R	3" Spiral Clamp
	SC-400-L	SC-400-R	4" Spiral Clamp
	SC-500-L	SC-500-R	5" Spiral Clamp
	SC-600-L	SC-600-R	6" Spiral Clamp
	SC-800-L	SC-800-R	8" Spiral Clamp
	SC-1000-L	SC-1000-R	10" Spiral Clamp
	SC-1200-L	SC-1200-R	12" Spiral Clamp

Central Punch Clamp

	CPSS-03	201 SS Clamp	13/16"	3/8"
	CPSS-04	201 SS Clamp	1"	5/8"
	CPSS-05	201 SS Clamp	1 1/4"	5/8"
	CPSS-06	201 SS Clamp	1 1/2"	5/8"
	CPSS-07	201 SS Clamp	1 3/4"	5/8"
	CPSS-08	201 SS Clamp	2"	5/8"
	CPSS-09	201 SS Clamp	2 1/4"	5/8"
	CPSS-10	201 SS Clamp	2 1/2"	5/8"
	CPSS-11	201 SS Clamp	2 3/4"	5/8"
	CPSS-12	201 SS Clamp	3"	5/8"
	CPSS-14	201 SS Clamp	3 1/2"	5/8"
	CPSS-16	201 SS Clamp	4"	5/8"
	CPSS-18	201 SS Clamp	4 1/2"	5/8"
	CPSS-20	201 SS Clamp	5"	5/8"
	CPSS-24	201 SS Clamp	6"	5/8"
	CPSS-26	201 SS Clamp	6 1/2"	5/8"
CPSS-28	201 SS Clamp	7"	5/8"	
CPSS-32	201 SS Clamp	8"	5/8"	

Quick Release Coupling

KSA

This series is widely used in various hydraulic applications, from agriculture and construction to industrial machinery. It's essential for connecting and disconnecting fluid lines in any equipment or system.

	Icon 1	Icon 2
	KSA-04M	1/4"
	KSA-06M	3/8"
	KSA-08M	1/2"
	KSA-12M	3/4"
	KSA-16M	1"
	KSA-20M	1-1/4"
	KSA-24M	1-1/2"
	KSA-32M	2"

	Icon 1	Icon 2
	KSA-04F	1/4"
	KSA-06F	3/8"
	KSA-08F	1/2"
	KSA-12F	3/4"
	KSA-16F	1"
	KSA-20F	1-1/4"
	KSA-24F	1-1/2"
	KSA-32F	2"

KSP

Its quick switching and easy cleaning make this series ideal for engineering equipment and hydraulic tools operating in tough environments.

	Icon 1	Icon 2
	KSP-04-06M	1/4"-3/8"
	KSP-06-06M	3/8"-3/8"
	KSP-08-08M	1/2"-1/2"
	KSP-10-12M	5/8"3/4"
	KSP-12-16M	3/4"-1"
	KSP-16-16M	1"-1"
	KSP-16-20M	1-1/4"
	KSP3-24-24M	1-1/2"
	KSPK-32-32M	2"

	Icon 1	Icon 2
	KSP-04-06F	1/4"-3/8"
	KSP-06-06F	3/8"-3/8"
	KSP-08-08F	1/2"-1/2"
	KSP-10-12F	5/8"3/4"
	KSP-12-16F	3/4"-1"
	KSP-16-16F	1"-1"
	KSP-16-20F	1-1/4"
	KSP3-24-24F	1-1/2"
	KSPK-32-32F	2"

Valves

	Icon 1	Icon 2
	VRV150	1-1/2"

	Icon 1	Icon 2
	BBV050	1/2"
	BBV075	3/4"
	BBV100	1"
	BBV125	1-1/4"
	BBV150	1-1/2"
	BBV200	2"
	BBV250	2-1/2"
	BBV300	3"
	BBV400	4"

	Icon 1	Icon 2	Icon 3
	HP2BV-025	1/4"	500
	HP2BV-040	3/8"	500
	HP2BV-050	1/2"	500
	HP2BV-075	3/4"	400
	HP2BV-100	1"	350
	HP2BV-125	1-1/4"	350

	Icon 1	Icon 2
	SCV200	2"
	SCV300	3"
	SCV400	4"

	Icon 1	Icon 2
	PRV125	1-1/4"
	PRV150	1-1/2"
	PRV200	2"
	PRV250	2-1/2"

	Icon 1	Icon 2
	SBV100	1"
	SBV125	1 1/4"
	SBV150	1 1/2"
	SBV200	2"
	SBV250	2 1/2"
	SBV300	3"
	SBV400	4"

	Icon 1	Icon 2	Icon 3
	HP3BV-025	1/4"	400
	HP3BV-040	3/8"	400
	HP3BV-050	1/2"	350
	HP3BV-075	3/4"	350
	HP3BV-100	1"	350
	HP3BV-125	1-1/4"	350

	Icon 1	Icon 2
	WCV400	4"
	WCV600	6"
	WCV800	8"

	Icon 1	Icon 2
	SV400	4"
	SV600	6"

Valves



Brass Lever Gate Valve



GV200	2"
GV300	3"
GV400	4"
GV600	6"



Butterfly Valve Lug Type



BFVL300	3"
BFVL400	4"
BFVL600	6"
BFVL800	8"
BFVL1000	10"
BFVL1200	12"



Female to Male Hex Nipple



HF250TM250S	2-1/2" NPT x 2-1/2" NST
HF250SM300T	2-1/2" NST x 3" NPT
HF250SM250P	2-1/2" NST x 2-1/2" NPT



Male to Male Hex Nipple



HM150TM150P	1-1/2" NPT x 1-1/2" NPSH
HM200TM250S	2" NPT x 2-1/2" NST
HM250TM250S	2-1/2" NPT x 2-1/2" NST
HM300TM250S	3" NPT x 2-1/2" NST



4 Bolt Flange Brass Piston Valve



BFPV400-NPT	4" 4 Bolt Flange* NPT
BFPV600-NPT	6" 4 Bolt Flange* NPT
BFPV400	4" Flange*4" Flange
BFPV600	6" Flange*6" Flange



Butterfly Valve Wafer Type



BFVW300	3"
BFVW400	4"
BFVW600	6"
BFVW800	8"
BFVW1000	10"
BFVW1200	12"



Female with Lug to Male Thread



LF150SM100T	1-1/2" FNST x 1" M NPT
LF250SM075T	2-1/2" FNST x 3/4" M NPT
LF250SM100T	2-1/2" FNST x 1" M NPT
LF250SM150T	2-1/2" FNST x 1-1/2" M NPT
LF250SM200T	2-1/2" FNST x 2" M NPT
LF300SM250S	3" FNPT x 2-1/2" M NST

Cam & Groove Couplings



Type SA Male Adapter * Male Adapter



SA100-AL	SA100-SS	1" x 1"
SA150-AL	SA150-SS	1-1/2" x 1-1/2"
SA1520-AL	-	1-1/2" x 2"
SA200-AL	SA200-SS	2" x 2"
SA3020-AL	-	3" x 2"
SA300-AL	SA300-SS	3"
SA3040-AL	SA3040-SS	3" x 4"
SA400-AL	SA400-SS	4"
SA4060-AL	-	4" x 6"
SA600-AL	-	6"



Aluminum Duck Bill Nozzle



DNB200-AL	2"
DNB300-AL	3"
DNB400-AL	4"

Type DA Female Coupler * Male Adapter



DA2030-AL	-	2" x 3"
DA2040-AL	-	2" x 4"
DA3020-AL	-	3" x 2"
DA3040-AL	-	3" x 4"
DA4030-AL	-	4" x 3"
DA4060-AL	-	4" x 6"
DA6040-AL	-	6"

Coupler x Adapter 90 Degree Elbow



DA200-90AL	2"
DA300-90AL	3"
DA400-90AL	4"
DA500-90AL	5"
DA600-90AL	6"

Type DD Female Coupler * Female Coupler



DD150-AL	-	1-1/2" x 1-1/2"
DD200-AL	DD200-SS	2"
DD300-AL	DD300-SS	3"
DD3020-AL	DD3020-SS	3" x 2"
DD3040-AL	DD3040-SS	3" x 4"
DD400-AL	DD400-SS	4"

Coupler x Adapter 45 Degree Elbow



DA200-45AL	2"
DA300-45AL	3"
DA400-45AL	4"
DA500-45AL	5"
DA600-45AL	6"

Cam&Groove Coupling



Type A Male Adapter *Female Thread



A150-AL	A150-SS316	1-1/2"
A200-AL	A200-SS316	2"
A250-AL	A250-SS316	2-1/2"
A300-AL	A300-SS316	3"
A400-AL	A400-SS316	4"
A500-AL	A500-SS316	5"
A600-AL	A600-SS316	6"
A800-AL	A800-SS316	8"

Type C Female Coupler *Hose Shank



C150M-AL	C150M-SS316	1-1/2"
C200M-AL	C200M-SS316	2"
C250M-AL	C250M-SS316	2-1/2"
C300M-AL	C300M-SS316	3"
C400M-AL	C400M-SS316	4"
C500M-AL	C500M-SS316	5"
C600M-AL	C600M-SS316	6"
C800M-AL		8"

Type E Male Adapter *Hose Shank



E150M-AL	E150M-SS316	1-1/2"
E200M-AL	E200M-SS316	2"
E250M-AL	E250M-SS316	2-1/2"
E300M-AL	E300M-SS316	3"
E400M-AL	E400M-SS316	4"
E500M-AL	E500M-SS316	5"
E600M-AL	E600M-SS316	6"
E800M-AL		8"

Type DC Dust Cap



DC150-AL	DC150-SS316	1-1/2"
DC200-AL	DC200-SS316	2"
DC250-AL	DC250-SS316	2-1/2"
DC300-AL	DC300-SS316	3"
DC400-AL	DC400-SS316	4"
DC500-AL	DC500-SS316	5"
DC600-AL	DC600-SS316	6"
DC800-AL		8"



Type B Female Coupler *Male thread



B150-AL	B150-SS316	1-1/2"
B200-AL	B200-SS316	2"
B250-AL	B250-SS316	2-1/2"
B300-AL	B300-SS316	3"
B400-AL	B400-SS316	4"
B500-AL	B500-SS316	5"
B600-AL	B600-SS316	6"
B800-AL		

Type D Female Coupler *Female Thread



D150-AL	D150-SS316	1-1/2"
D200-AL	D200-SS316	2"
D250-AL	D250-SS316	2-1/2"
D300-AL	D300-SS316	3"
D400-AL	D400-SS316	4"
D500-AL	D500-SS316	5"
D600-AL	D600-SS316	6"
D800-AL		8"

Type F Male Adapter *Male Thread



F150-AL	F150-SS316	1-1/2"
F200-AL	F200-SS316	2"
F250-AL	F250-SS316	2-1/2"
F300-AL	F300-SS316	3"
F400-AL	F400-SS316	4"
F500-AL	F500-SS316	5"
F600-AL	F600-SS316	6"
F800-AL		8"

Type DP Dust Cap



DP150-AL	DP150-SS316	1-1/2"
DP200-AL	DP200-SS316	2"
DP250-AL	DP250-SS316	2-1/2"
DP300-AL	DP300-SS316	3"
DP400-AL	DP400-SS316	4"
DP500-AL	DP500-SS316	5"
DP600-AL	DP600-SS316	6"
DP800-AL		8"

Gauge



0-3000 PSI Water Pressure Gauge

WPG-3000



Vacuum Gauge 0-30"

VG



0-4000 PSI Front Panel Mount Gauge

FPMG-4000



0-5000 PSI Front Panel Mount Gauge

FPMG-5000



0-160 PSI Pressure Gauge

PG-160



0-600 PSI Pressure Gauge

PG-600



0-5000 PSI Front Panel Flanged Mount Gauge

FPFMG-5000



2000 PSI Bottom Mount Pressure Gauge

BMPG-2000

3000 PSI Bottom Mount Pressure Gauge

BMPG-3000

4000 PSI Bottom Mount Pressure Gauge

BMPG-4000

5000 PSI Bottom Mount Pressure Gauge

BMPG-5000



2000 PSI Front Panel Mount Pressure Gauge

FPMPG-2000

3000 PSI Front Panel Mount Pressure Gauge

FPMPG-3000

4000 PSI Front Panel Mount Pressure Gauge

FPMPG-4000

5000 PSI Front Panel Mount Pressure Gauge

FPMPG-5000

Vacuum Truck Parts

Standard Wingnut Assembly		Greasable Wingnut Assembly	
	WN001-SS	5/8"	
	WN002-FE	5/8"	

Screw Sight Glass		Non-Screw Sight Glass	
	NSSG500-AL	5"	
	NSSG500-FE	5"	
	NSSG500-SS	5"	

Stainless Steel Floating Ball		Gearbox	
	FB400-SS	4"	
	FB600-SS	6"	

3-SHAFT
GEARBOX
STYLE
WITH
1 1/4"
SHAFTS
1 - 1
RATIO
-1/4"
KEYWAY

Vacuum Truck Parts

Round Hole Zinc Plated Steel Strainer		Square Hole Zinc Plated Steel Strainer	
	STR-100	1"	
	STR-150	1-1/2"	
	STR-200	2"	
	STR-250	2-1/2"	
	STR-300	3"	
	STR-400	4"	
	STR-600	6"	
	STR-800	8"	

Long Round Hole Zinc Plated Steel Strainer		Bottom Hole Zinc Plated Steel Strainer	
	LHS-150	1-1/2"	
	LHS-200	2"	
	LHS-300	3"	

Top Hole Zinc Plated Steel Strainer		Funnel Strainer Stainless Steel	
	THS-150	1-1/2"	
	THS-200	2"	
	THS-300	3"	

Aluminum Plate Strainer		Sight Glass	
	APS200-AL	2"	
	APS300-AL	3"	
	APS400-AL	4"	

Vacuum Truck Parts

Primary Shutoff



PS-01	Primary Shutoff 12" low profile w/6" neck & 3" hose barb (alum)
PS-02	Primary Shutoff (alum), 12" low profile w/6" neck & 4" hose barb
PS-03	12" Primary w/ 6" Neck & 6" Threaded Opening

Low Profile Primary Shutoff



LPS-01	12" low profile primary shutoff, 6" neck w/ 3" pipe w/ opening, 450 C.F.M.
LPS-02	12" low profile primary shutoff, 6" neck w/ 3" npt threads w/ opening, 450 C.F.M
LPS-03	12" low profile primary shutoff, 6" neck w/ 4" pipe w/ opening, 525 C.F.M
LPS-04	12" low profile primary shutoff, 6" neck w/ 4" pipe w/ opening includes 8" & 10" ball cage

Secondary Shutoff



SDSF-01	10 gal. Horizontal secondary, 3" opening (375 CFM)
---------	--

Vacuum Truck Parts

Manway



MW-1203	12" Hatch (3 Wing Nut)
---------	-------------------------



MW-1704	17" Manway (4 Wing Nut)
---------	-------------------------



MW-2056	20" Manway(5 or 6 Wing Nut)
---------	-----------------------------

MW-2000	20" Aluminum Manway
---------	---------------------



MW-2556	25" Manway (5 or 6 Wing Nut)
---------	------------------------------



MW-3608	36" Manway (8 Wing Nut)
---------	-------------------------

Vacuum Truck Filter Elements







VTFITE-600	O.D. 148.30 * O.D.140.5 * Length 166
------------	--------------------------------------

Filter Elements And Bags

Hydraulic Filter Element		
 HHLE98090-SS		5.5"ID X 8"OD X 8.25"H SS Filter
HHLE1104-SS		5.75"ID X 8"OD X 8.25"H Filter
HHLF976-SS		12.5"ID X 16"OD X 11.5"H SS Filter
HHLF1176-SS		12"ID X 20"OD X 12"H Filter
HHLF1009-SS		12"ID X 20"OD X 18"H SS Filter




Hydraulic System Oil Suction Filter			
 WF-3A		G3/8	282
WF-4B		G1/2	530
WF-6BL		G3/4	832
WF-8B		G1	832
WF-10C		G1 1/4	1206
WF-12CL		G1 1/2	2140
WF-16C		G2	2140
WF-12C		G1 1/2	1206
WF-16D		G2	2015
WF-20D		G2 1/2	3590
WF-24DL		G3	4320

Return Line Lube Oil Filter Element			
 SD0030/2600		25-200 µm	20 bar

Filter Bags			
 FILBAG600-PP		4.6"X 60"	Polypro.
FILBAG600-PE		4.6"X 60"	Polyester
FILBAG600-AC		4.6"X 60"	Acrylic
FILBAG600-NX		4.6"X 60"	NOMEX

Tools

Down Manhole Rollers			Debris Basket		
 DMR-AL		Aluminum Manhole Roller		DB-6	6"
Adjustable Top Manhole Roller				DB-8	8"
 ADJ-1		adjustable manhole roller		DB-10	10"
 ADJ-2		with the 2 open arms		DB-12	12"
				DB-15	15"
				DB-18	18"
			DB-24	24"	

Manhole Safety Cover		
 MSC-200-ST		Steel Cover 20-26" with an AI Roller
MSC-260-ST		Steel Cover 26-34" with AI Roller
MSC-200-AL		Al Cover 20-26" with an AI Roller
MSC-260-AL		Al Cover 26-34" with AI Roller

Anti-splash Manhole Safety Cover		
 AMSC-200-AL		20"-24" PLEXY-PROTECTION GRILL, Alu Roller
AMSC-200-NY		20"-24" PLEXY-PROTECTION GRILL, Nylon Roller
AMSC-260-AL		24"-36" PLEXY-PROTECTION GRILL, AI Roller
AMSC-260-NY		24"-36" PLEXY-PROTECTION GRILL, Nylon Roller

Truck Lights

LED Work Light



LED Headlight



4" Round Lights



Combination Led Tail Lights



Hose Assembly



Extra Heavy Duty PVC Water Discharge Hose

1-1/2" Discharge Hose, 100PSI Pressure	EHDPWDH-0112
2" Discharge Hose, 100PSI Pressure	EHDPWDH-0200
2-1/2" Discharge Hose, 100PSI Pressure	EHDPWDH-0212
3" Discharge Hose, 100PSI Pressure	EHDPWDH-0300
4" Discharge Hose, 100PSI Pressure	EHDPWDH-0400
6" Discharge Hose, 100PSI Pressure	EHDPWDH-0600

Light Duty Mill Discharge Hose

1-1/2" Discharge Hose, 100PSI Pressure	LDMDH-0112
2" Discharge Hose, 100PSI Pressure	LDMDH-0200
2-1/2" Discharge Hose, 100PSI Pressure	LDMDH-0212
3" Discharge Hose, 100PSI Pressure	LDMDH-0300
4" Discharge Hose, 100PSI Pressure	LDMDH-0400
6" Discharge Hose, 100PSI Pressure	LDMDH-0600

Heavy Duty Mill Discharge Hose

1" Discharge Hose, 125PSI Pressure	HDNDH-0100
1-1/2" Discharge Hose, 125PSI Pressure	HDNDH-0112
2" Discharge Hose, 125PSI Pressure	HDNDH-0200
2-1/2" Discharge Hose, 125PSI Pressure	HDNDH-0212
3" Discharge Hose, 125PSI Pressure	HDNDH-0300
4" Discharge Hose, 125PSI Pressure	HDNDH-0400

Double Jacket Mill Discharge Hose

1-1/2" Discharge Hose, 200PSI Pressure	DJMDH-0112
1" Discharge Hose, 200PSI Pressure	DJMDH-0200
2-1/2" Discharge Hose, 200PSI Pressure	DJMDH-0212
3" Discharge Hose, 200PSI Pressure	DJMDH-0300
4" Discharge Hose, 200PSI Pressure	DJMDH-0400