

合格证
CERTIFICATE

本产品经检验符合技术条件, 准予出厂:
The product Has Been Tested According To Technical Requirements And Passed:

检验员 _____

Moving Head Beam Light
(Model: YGS-260A)



User Manual

Please read these instructions carefully before use

Contents

Section 1. Getting Started

- ◇ Unpacking
- ◇ Safety Instruction
- ◇ Instructions and remarks

Section 2. Set Up

- ◇ Installation
- ◇ installation requirements:
- ◇ Controlling Board
- ◇ Machine Connection
- ◇ Master Slave Mode Introductions

Section 3. Troubleshooting

- ◇ Troubleshooting

Section 4. Reference

- ◇ DMX Protocol
- ◇ Specification



保修卡

Protection to Fix Card

非常感谢您使用我们的产品

1. 本产品从购买日起，正常操作使用并未经拆修，经保修人员确认属产品质量问题，一年内享受保修服务，在任何正常情况下均提供维修。
2. 保修卡应在购买时予填写。保修卡无本公司保修章无效。产品维护时请带保修卡。

Very thank you for using our products

1. This product from the acquisition, normal operation and all the parts inside the, the warranty of quality products confirm asked problem, enjoy a year warranty service, in any normal maintenance are available.
2. The warranty card when buy should be to fill in. Without this company product warranty chapter ss invalid. Please bring the product maintenance warranty Card.

顾客姓名 Customer Name	购买日期 Purchasing Date	产品型号 Product Model	购买商 Purchaser

保修记录：
Warranty record

--

18	Frost	0-127	Null
		1-255	Frost
19	RESERVED	0-255	
20	RESERVED	0-255	

Specification

Working voltage: AC110V - 240V

Frequency: 50/60 Hz power: 450 W bulb: 260 W

Strobe : 1-13 t/s, support mechanical and adjustable speed;

CCT: 8000 k

Color:13+ white + semicolor effect;

6-colors wheel:1 pc, multi-color effect with prism;

Gobo:13+white;

Frost : 1 pc atomizing glass.

Scan: Pan540°; tilt 270°,photoelectric reset error correction

Prism: A rotation 16 facet prism and a triple layers honeycomb prism

Beam:1.2°;linear focusing;

Safety protection: When overheat or system failure occur,power can be automatically cut off

Control mode: master-slave/auto/DMX512 20CH

Touch screen function: Liquid Crystal display. The screen can be inverted, Chinese and English switching, automatic screen off, every power on time and running time can be displayed, can restore factory settings;

Light on mode: automatic light on, manual light on, and controller light on can be set on

Weight:17.1kg size:31*24*58cm

User Manual

Notes: The ideal working environment of the equipment is between 0-35 degrees, and the surface temperature of the lamp body is 40-70 degrees. In order to protect the safe operation, it is absolutely necessary for the user to follow the safety instructions and warnings provided in this manual.

Section 1. Getting Started

- ✧ Unpacking
- ✧ Safety Instruction
- ✧ Instructions and remarks

Unpacking

- 1pc fixture(lamp installed)
- 1pc User Manual
- 1pc Power Cable
- 1pc Signal Cable

Thanks for using our moving beam. Carefully unpack the box and check the contents to ensure that all parts are present and in good conditions. If anything damaged during transit, notify the shipper immediately and keep the packing material for inspection. Again, please save the carton and all packing materials. If the fixture must be returned to manufacturer, it is important that the fixture be returned in the original manufacturer box and packing.

Safety Instruction

For your safe, please read this user manual carefully before turn on the fixture. This machine should be operated by qualified engineer!

- Please conserve this manual as operation guidance. If you sell this product to other user, please make sure that they also receive this user manual.
- Always make sure that you are connecting to the proper voltage and the line voltage not higher than stated on the decal or rear panel of the fixture.
- This lighting is intended to indoor use only. To prevent risk of fire or shock, do not expose fixture to rain or moisture. Make sure there are no flammable, explosive or corrosive materials surrounded in 10 /*-meters while operating.
- The unit must be installed in a location with adequate ventilation, at least 5m away from adjacent surfaces. Be sure that no ventilation slots are blocked.
- Fixture may carry high heat, do not aim at objective exceeding 2 minutes.
- Safe wire should be used to install machine. Bearing of safe wire should be 3 times of the machine weight.
- Always disconnect from the power source before servicing or replacing fuse/lamp and be sure to replace with same fuse/lamp size and type. Cut off power before moving, repairing and cleaning the machine.
- To avoid electric shock, all fixtures must be connected to circuits with a suitable ground.
- Always secure fixture using a safety chain and carrying handles. Never carry the fixture by its cord.
- Do not operate at ambient temperatures higher than 104°F (40°C).
- In case of failure or malfunction occurred, stop using the unit immediately. Never try to repair the unit by yourself. Repairs carried out by unskilled people can lead to damage or malfunction. Please contact the nearest authorized technical assistance center. Buy the same spare parts/components from manufacturer directly.
- Make sure the power cord is never crimped or damaged.
- Avoid direct eye exposure to the light source while it is on.
- Do not power on and power off the fixture in a short time.

5	Prism 1	0-127	Prism 1 open
		128-255	Prism 1 insert
6	Prism 1 rotation	0-64	empty
		65-127	Prism 1 is rotating forward, from slow to fast
		128-191	Prism 1 rotates backwards, from slow to fast
		192-255	Prism 1 Bi-direction rotation (from slow to fast)
7	Prism 2	0-127	Prism 2 open
		128-255	Prism 2 insert
8	Prism 2 rotation	0-64	empty
		65-127	Prism 2 is rotating forward, from slow to fast
		128-191	Prism 2 rotates backwards, from slow to fast
		192-255	Prism 2 Bi-direction rotation, from slow to fast
9	Focus	0-255	Linear adjustable
10	Pan	0-255	Pan 540°
11	Pan fine	0-255	Pan fine 1.2°
12	Tilt	0-255	Tilt 270°
13	Tilt fine	0-255	Tilt fine 1.2°
14	Pan/tilt speed	0-255	From fast to slow
15	Reset	0-249	Null
		250-255	Light reset
16	Lamp On/Off	0-99	Null
		100-105	Turn off the lamp
		106-199	Null
		200-205	Open the lamp
17	Rainbow effect	206-255	Null
		0-127	Rainbow effect open
		128-255	Rainbow effect insert

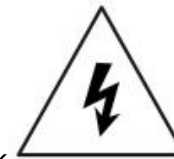
4	Gobos	0-5	Gobo 1
		6-11	Gobo 2
		12-17	Gobo 3
		18-23	Gobo 4
		24-29	Gobo 5
		30-35	Gobo 6
		36-41	Gobo 7
		42-47	Gobo 8
		48-53	Gobo 9
		54-59	Gobo 10
		60-65	Gobo 11
		66-71	Gobo 12
		72-77	Gobo 13
		78-83	Gobo 14
		84-89	Gobo 15
		90-134	Gobos roll forward, from fast to slow
		135-139	Gobo 1
		140-185	Gobos rotate backward, from slow to fast
		186-190	Gobo 2 Shaking from slow to fast
		191-195	Gobo 3 Shaking from slow to fast
		196-200	Gobo 4 Shaking from slow to fast
		201-205	Gobo 5 Shaking from slow to fast
		206-210	Gobo 6 Shaking from slow to fast
		211-215	Gobo 7 Shaking from slow to fast
		216-220	Gobo 8 Shaking from slow to fast
		221-225	Gobo 9 Shaking from slow to fast
		226-230	Gobo 10 Shaking from slow to fast
		231-235	Gobo 11 Shaking from slow to fast
		236-240	Gobo 12 Shaking from slow to fast
		241-245	Gobo 13 Shaking from slow to fast
246-250	Gobo 14 Shaking from slow to fast		
250-255	Gobo 15 Shaking from slow to fast		

- When use DMX controller, please make sure that there is no interference sources (e.g. intercom, high frequency radio waves and radiation source).

Caution!

There are no user serviceable parts inside the unit. Do not open the housing or attempt any repairs yourself. If exceptional problem happen, please contact related after-sale department or manufacturer. Any damage that caused by violating this manual is out of insurance, our company will not take the responsibility.

Instructions and remarks



Warning. Electric shock

1. Check whether the power supply and voltage are normal before use. If the voltage fluctuates greatly, it is recommended to use voltage stabilizer or voltage regulator.
2. This equipment belongs to the first class protection lighting, therefore must put the yellow, the green lines grounding, and by the professional nursing.
3. Do not touch the shell by hand when the equipment is working.
4. Due to the equipment use of gas discharge lamp,when the use process is interrupted. The equipment needs to cool naturally for 20 minutes before starting the power again
5. The internal components of the equipment must be purchased from the manufacturer
6. Product power cord must be well grounded.

7.use the console, control to avoid the left and right neighbors, without interference source. (example: Wireless intercom, high frequency source, etc.)

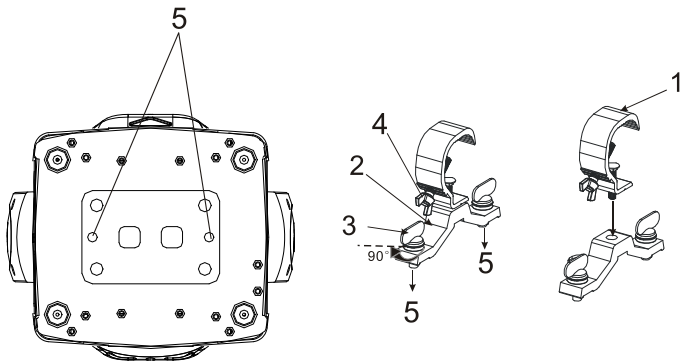
8.when using this product, only 20 products can be controlled within 20 meters of the same signal line, beyond this range, the signal shall be amplified by signal amplifier, and a terminal lighting shall be welded a resistance of 120 ohm 1/4 w between pin 2 and pin 3 at the DMX output end.

Section 2. Set Up

- ◇ Installation
- ◇ Installation requirement
- ◇ Controlling Board
- ◇ Machine connection
- ◇ Master Slave Mode Introductions

Installation

- This machine should be mounted through the screw holes of truss. Safety wire is a must to fix fixture well. Make sure truss and safety wire have strong load capacity to bear 3 times weight than fixture at least.
- This machine should be installed by qualified technician.



		60-64	Color 6+Color 7
		65-69	Color 7
		70-74	Color 7+Color 8
		75-79	Color 8
		80-84	Color 8+Color 9
		85-89	Color 9
		90-94	Color 9+Color 10
		95-99	Color 10
		100-104	Color 10+Color 11
		105-109	Color 11
		110-114	Color 11+Color 12
		115-119	Color 12
		120-124	Color 12+Color 13
		125-129	Color 13
		130-134	Color 13+Color 14
		135-139	Color 14
		140-149	Color 14+Color 1
		150-203	The Rainbow Effect Goes From Fast To Slow
		204-255	The Rainbow Effect Goes From Slow To Fast
2	Strobe	0-3	Close
		4-103	Pulse Strobe, Slow To Fast
		104-107	Open
		108-207	Effect Strobe , From slow to fast
		209-212	Open
		213-251	Random,From Slow To Fast
		252-255	Open
3	Dimmer	0-255	From dark to bright

Colors cannot be mixed	Random color mixing is on	Turn off random color mixing
Fixture does not reset correctly	Electronic or mechanical failure	Contact service technician
No light, lamp cuts out intermittently, or burns out too quickly	Lamp missing or blown	Disconnect fixture and replace lamp
	Fixture or lamp is too hot	Allow fixture to cool. If problem persists, contact service technician

Section 4. Reference

- ✧ DMX Protocol
- ✧ Specification

DMX Protocol, Channel Control Sheet:

20CH	Channel Name	Value	Description
1	Color Wheel	0-9	Color 1 (White)
		10-14	Color 1+Color 2
		15-19	Color 2
		20-24	Color 2+Color 3
		25-29	Color 3
		30-34	Color 3+Color 4
		35-39	Color 4
		40-44	Color 4+Color 5
		45-49	Color 5
		50-54	Color 5+Color 6
55-59	Color 6		

Installation requirements

1. This product in the use environment, can not have corrosive steam and gas, no inflammable and explosive goods
2. The luminaire shall be at least 5 meters away from the subject,
3. The optical lenses, lenses in use process there can be no outside force bump, if the lens is damaged, need to find relevant professionals to replace the same specifications of the lens;
4. When the power cord damage, must find relevant professional personnel to replace the same specifications before use;
5. When hanging installation, the hanger's loading bear must be at least 3 times greater than the product weight, and strapping on insurance rope, the insurance rope' loading bear must be at least 3 times greater than the product weight.
6. The lens and the light bulb must be used together, when any parts damaged, must find relevant professional personnel change before you can continue to use
7. In the use of environment, must limit the current voltage in the scope of this specification requirements, and have grounding
8. The lamp must be used under the indicated lifespan, after reaching the lifespan, please change the lamp, otherwise the lamp will be easy to deformation or explode and cause dangerous situation.
9. When replacing the lamp, power dump firstly, open the head's plastic cover, and open the fan shelf in the lamp area, then replace with a same specification lamp.
Note: Any damage caused by ignoring this manual is not covered by the warranty. The manufacturer shall not be liable for all consequences and problems arising therefrom. Please note that any damage caused by violation of the operating procedures is not covered by the warranty.

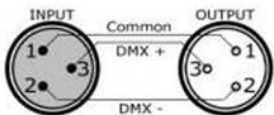
The company reserves the right to amend this product manual without prior notice

Controlling Board



Machine Connection

Cables must have a male XLR connector on one end and a female XLR connector on the other end.



A word on termination: DMX is a resilient communication protocol, however errors still occasionally occur. Termination reduces signal errors, and therefore best practices include use of a terminator in all circumstances. If you are experiencing problems with erratic fixture behavior, especially over long signal cable runs, a terminator may help improve performance.



To build your own DMX Terminator: Obtain a 120-ohm, 1/4-watt resistor, and wire it between pins 2&3 of the last fixture. They are also readily available from specialty retailers.

Complimentary signal cable can transmits signals to 20 unit fixtures at most.
Signal amplifier is a must to connect more fixtures

Master Slave Mode Introductions;

Set one of the machines as the host, select self-running, set the other machines as the slave, and the slave machines as the DMX address code 001 state, connect the signal line. At this time, the slave machines accept the host control, and the functions are synchronized with the current functions of the host.

Section 3. Troubleshooting

Problem	Probable cause(s)	Remedy
No response from fixture when power is applies	No power to fixture	Check power cables
	Primary fuse blown	Replace fuse
	Secondary fuse blown	Replace fuse
Fixture resets but does not respond correctly to controller(DMX mode operation)	Controller not connected	Connect controller
	Incorrect addressing of the fixtures	Check address setting on fixture and controller
	Bad data link connection	Inspect cables and correct poor connections and/or broken cables.
	Conflict between tracking and vector control	Eliminate scene cross-fade on controller
	Data link not terminated	Insert termination plug in output of last fixture
	Defective fixture or 2 devices transmitting on link	Bypass fixtures one at a time until normal operation is regained:unplug both connectors and connect them directly together