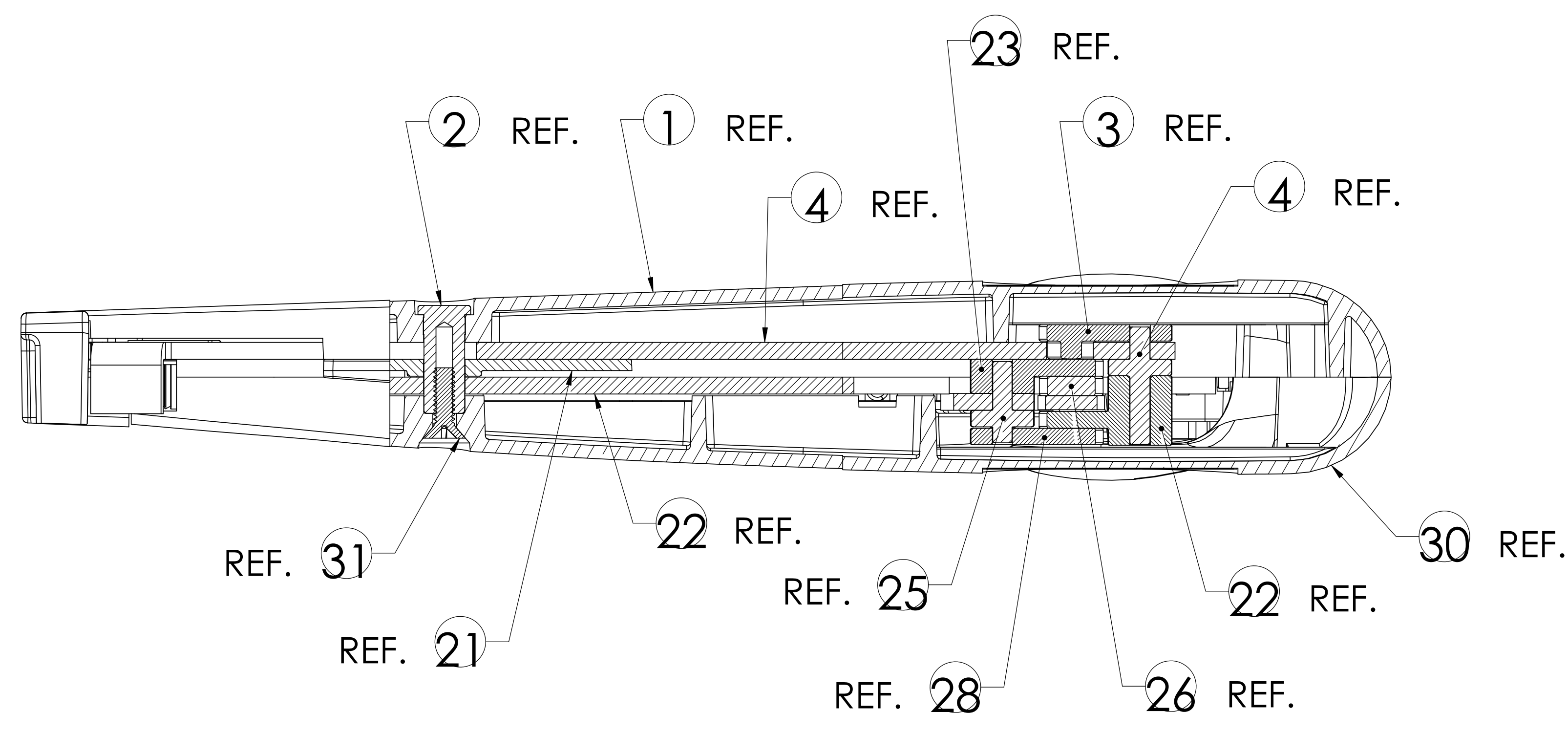


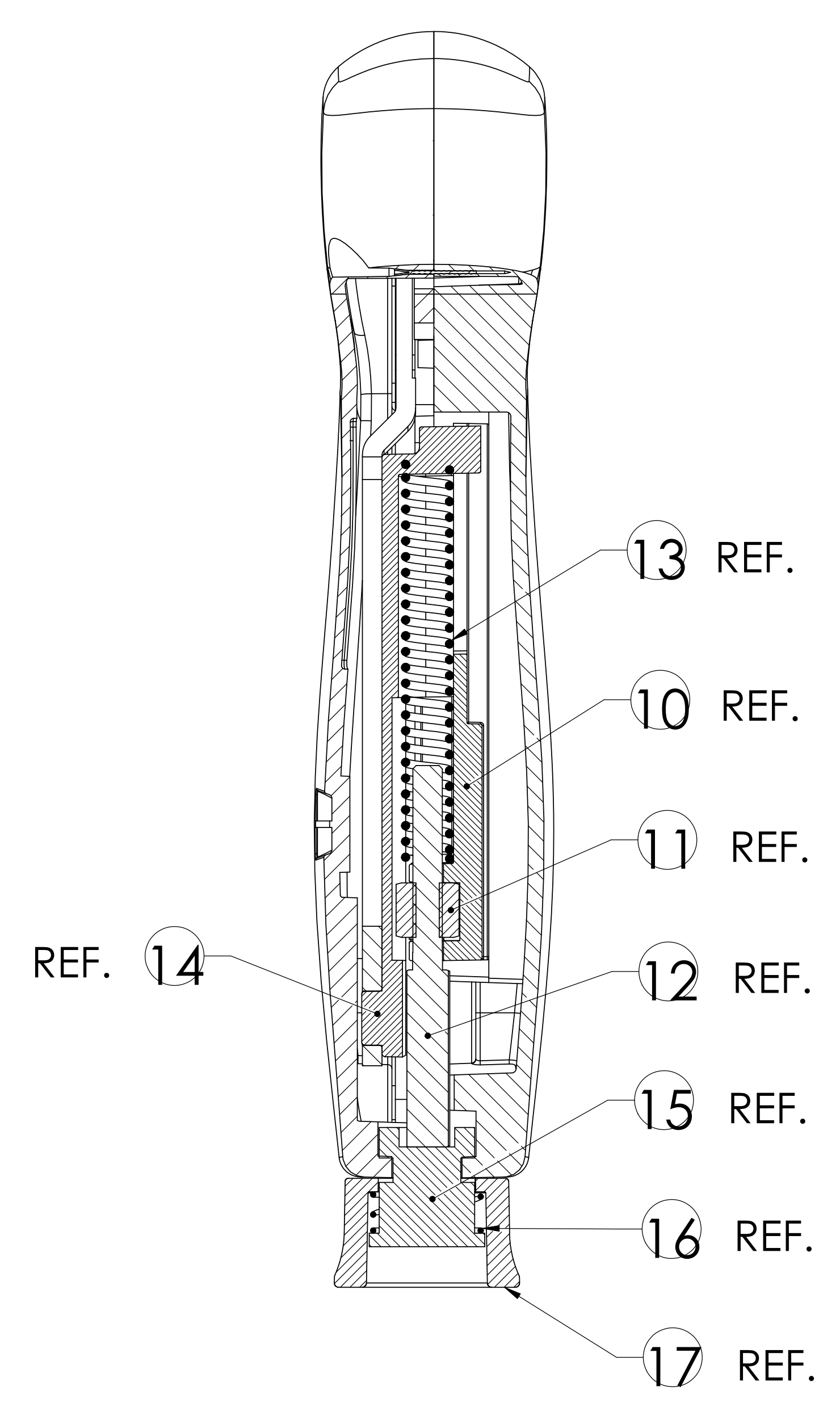
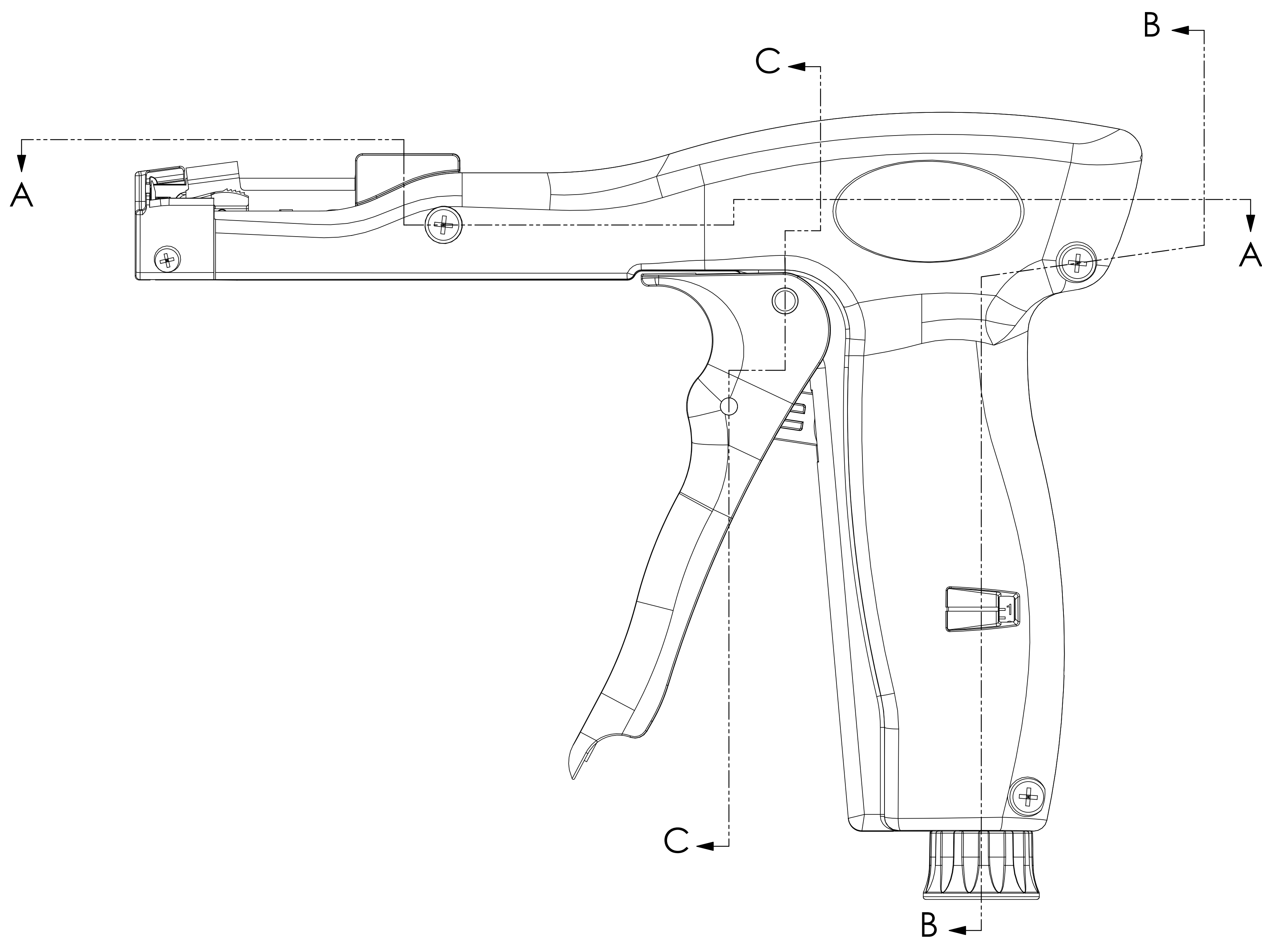
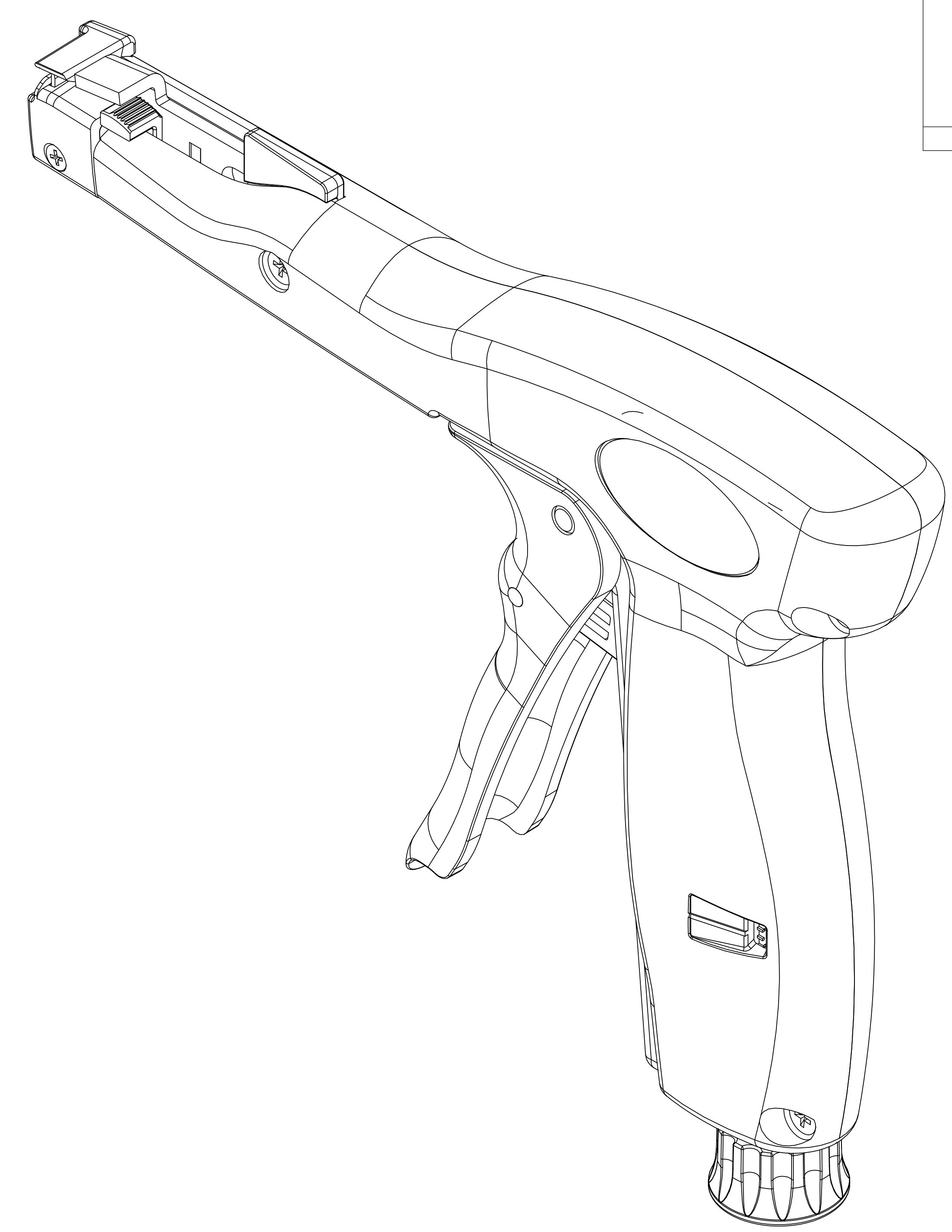
COMPANY CONFIDENTIAL

THE SUBJECT MATTER DISCLOSED HEREIN ENCOMPASSES PROPRIETARY INFORMATION WHICH IS THE CONFIDENTIAL PROPERTY OF THE AVERY DENNISON CO. NONE OF WHICH SHALL BE COPIED, REPRODUCED, DISCLOSED TO OTHERS, PUBLISHED OR USED IN WHOLE OR IN PART FOR ANY PURPOSE OTHER THAN THAT FOR WHICH IT IS BEING MADE AVAILABLE HEREOF. THE EXPRESS AGREEMENT WITH PERMISSION OF A QUALIFIED AUTHORIZED AGENT OF THE COMPANY, THIS DOCUMENT IS THE PROPERTY OF THE AVERY DENNISON CO. AND IS TO BE RETURNED TO THE COMPANY ON DEMAND.

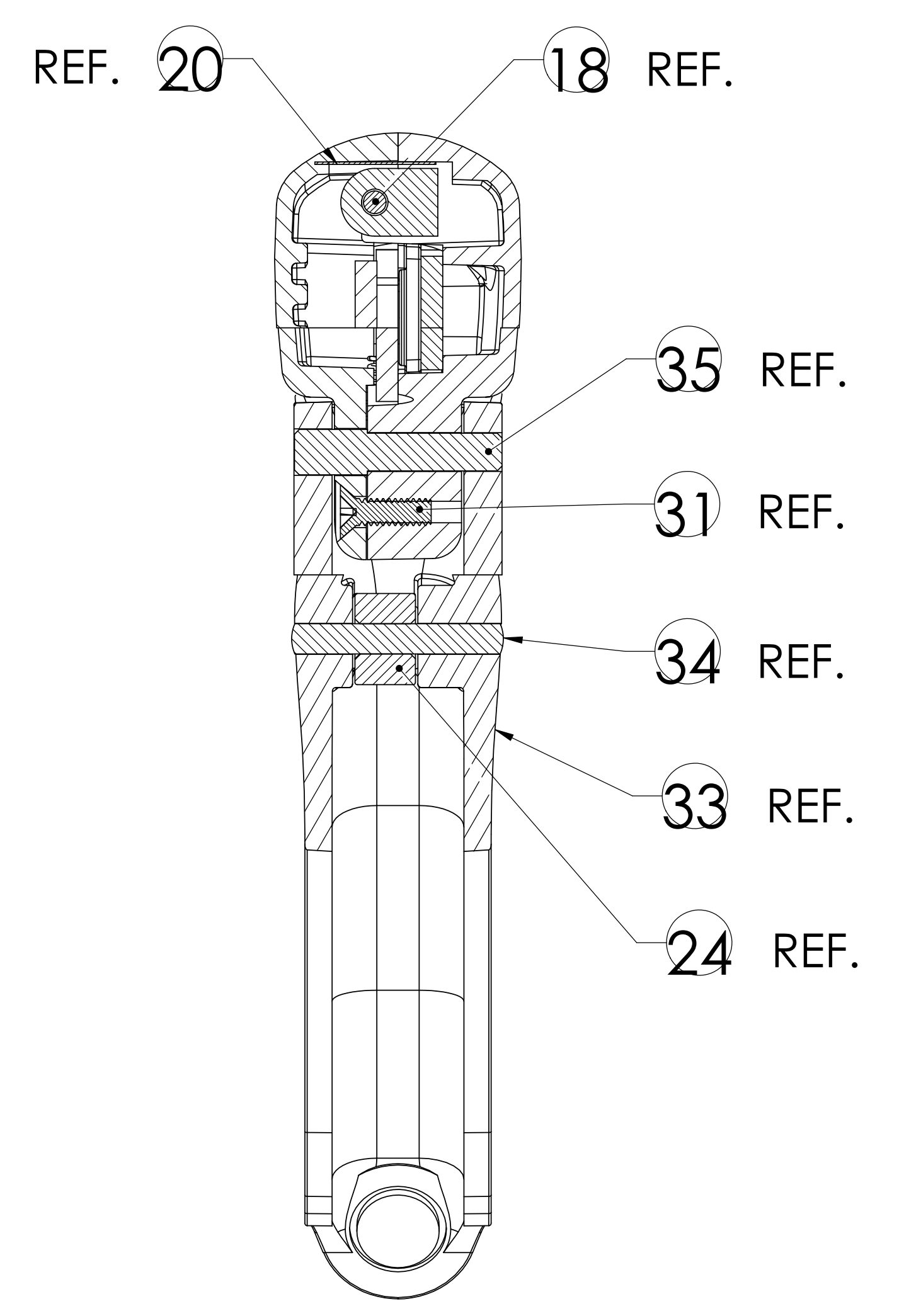
ECO HISTORY						
ENG	ECR	ECO	REV	APPR. DATE	ZONE	DESCRIPTION
WB		P.196	1	6/7/04		RELEASE TO PRODUCTION.
		F3253	2	5/23/05		BOM CHANGES: ITEM 8, 7-62-0214-01, WAS 0-051-136-01. ITEM 10, 7-60-5304-01, WAS 7-60-0009-01. ITEM 13, 7-62-0215-01, WAS 7-60-0660-01. ITEM 14, 7-60-5305-01, WAS 7-60-0008-01. ITEM 22, 7-60-5302-01, WAS 7-60-0013-01. ITEM 24, 7-60-5306-01, WAS 7-60-8594-01. ITEM 25, 7-60-5301-01, WAS 7-60-0008-01. ITEM 26, 7-60-5303-01, WAS 7-60-0036-01. ITEM 35, 7-60-5303-01, WAS 7-60-0031-01. ITEM 42, 0-037-020-09, WAS 7-62-0048-01. BOM CHANGE: 7-60-5308-01 WAS 3-01-0229-01.
		F3252	3	8/8/05		



**SECTION A-A**  
**SCALE 2:1**



**SECTION B-B**  
**SCALE 2:1**

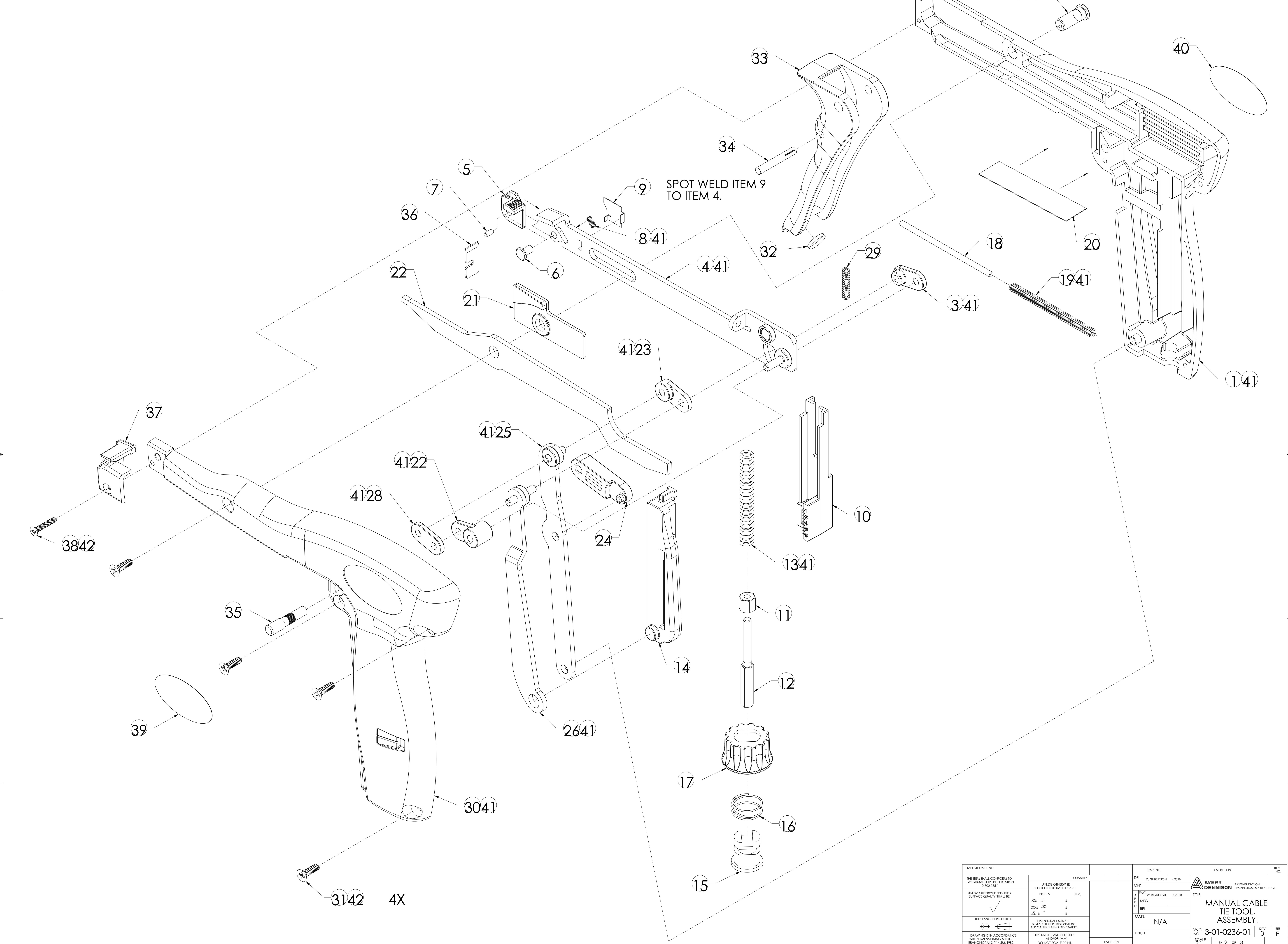


**SECTION C-C**  
**SCALE 2:1**

SAFETY STORAGE NO.		PART NO.		DESCRIPTION		ITEM NO.
THIS ITEM SHALL CONFORM TO WORKMANSHIP SPECIFICATION 0502-1551		D. GILBERTSON 4/23/04		AVERY DENNISON		
UNLESS OTHERWISE SPECIFIED TOLERANCES ARE:		ENG. BERROCAL 7/23/04		FRAMINGHAM, MA 01701 U.S.A.		
INCHES (MM)				TITLE		
FRACTIONS (MM)				MANUAL CABLE TIE TOOL ASSEMBLY		
ANGLES (MM)				DWG. NO. 3-01-0236-01		REV. 3
THIRD ANGLE PROJECTION		MATERIAL N/A		SCALE 2:1		SH. 1 OF 3
DRAWING IS IN ACCORDANCE WITH DIMENSIONING & TOLERANCING AND TYPING 1992		FINISH		USED ON		

COMPANY CONFIDENTIAL  
 THE SUBJECT MATTER DISCLOSED HEREIN ENCOMPASSES PROPRIETARY INFORMATION WHICH IS THE CONFIDENTIAL PROPERTY OF THE AVERY DENNISON CO. NONE OF WHICH SHALL BE COPIED, REPRODUCED, DISCLOSED TO OTHERS, PUBLISHED OR USED IN WHOLE OR IN PART FOR ANY PURPOSE OTHER THAN THAT FOR WHICH IT IS BEING MADE AVAILABLE WITHOUT THE EXPRESS ADVANCE WRITTEN PERMISSION OF A DULY AUTHORIZED AGENT OF THE COMPANY. THIS DOCUMENT IS THE PROPERTY OF THE AVERY DENNISON CO. AND IS TO BE RETURNED TO THE COMPANY ON DEMAND.

ECO HISTORY						
ENG	ECR	ECO	REV	ADPR	DATE	ZONE
						DESCRIPTION SEE SHEET 1



SAFE STORAGE NO.		PART NO.	DESCRIPTION	ITEM NO.														
THIS ITEM SHALL CONFORM TO WORKMANSHIP SPECIFICATION D-502-155-1	QUANTITY	DR	D. GILBERTSON	423.04														
UNLESS OTHERWISE SPECIFIED SURFACE QUALITY SHALL BE	UNLESS OTHERWISE SPECIFIED TOLERANCES ARE	CHK	ENG W. MERRILL	7.23.04														
INCHES	INCHES	P	AFPG															
3000 ±0.015	3000 ±0.015	D	REL															
±0.0005	±0.0005	MATL	N/A															
THIRD ANGLE PROJECTION	DIMENSIONAL LIMITS AND SURFACE TEXTURE DESIGNATIONS APPLY AFTER FINISHING OR COATING.	FINISH																
DRAWING IS IN ACCORDANCE WITH DIMENSIONING & TOL. BRANCHING AND T.Y.D.A. 1992	DIMENSIONS ARE IN INCHES AND/OR (MM). DO NOT SCALE PRINT.	USED ON																
		<table border="1"> <tr> <td>AVERY DENNISON</td> <td>FATHER DENNISON</td> </tr> <tr> <td>FRAMINGHAM, MA 01701 U.S.A.</td> <td></td> </tr> </table>		AVERY DENNISON	FATHER DENNISON	FRAMINGHAM, MA 01701 U.S.A.		<table border="1"> <tr> <td>TITLE</td> <td>MANUAL CABLE TIE TOOL ASSEMBLY</td> </tr> <tr> <td>DWG NO</td> <td>3-01-0236-01</td> </tr> <tr> <td>REV</td> <td>3</td> </tr> <tr> <td>SCALE</td> <td>2:1</td> </tr> <tr> <td>SHEET</td> <td>2 OF 3</td> </tr> </table>	TITLE	MANUAL CABLE TIE TOOL ASSEMBLY	DWG NO	3-01-0236-01	REV	3	SCALE	2:1	SHEET	2 OF 3
AVERY DENNISON	FATHER DENNISON																	
FRAMINGHAM, MA 01701 U.S.A.																		
TITLE	MANUAL CABLE TIE TOOL ASSEMBLY																	
DWG NO	3-01-0236-01																	
REV	3																	
SCALE	2:1																	
SHEET	2 OF 3																	

