

WWW.GTEGROUPLTD.COM

SALES@GTEGROUPLTD.COM



2015Y



2015Y



# LED LAMP 2015Y [ v01 ]

SPOT

PAR

BULB

CANDLE

MUSHROOM

CORN

TUBE

STRIP


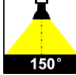


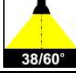





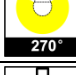


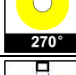






# MENU








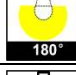




## [ L33 ] SERIES








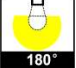
















1.	MR16 [PC+AL+PC]		GTL8133A 3/4W			.....	PAGE-5-
2.	MR16 [PC+AL+PC]		GTL8133B 5W			.....	PAGE-5-
3.	A45 GLOBAL [PC+AL+PC]		GTL8333 3/4/5/6W			.....	PAGE-6-
4.	A60 GLOBAL [PC+AL+PC]		GTL8533 6/8/10/12W			.....	PAGE-7-
5.	A120 GLOBAL [PC+AL+AL]		GTL8633A 20/30W			.....	PAGE-8-
6.	G95 GLOBAL [PC+PC+AL]		GTL8633B 12W			.....	PAGE-9-
7.	G120 GLOBAL [PC+AL+AL]		GTL8633C 15/20W			.....	PAGE-10-
8.	C37 CANDLE [PC+AL+PC]		GTL8733 3/4/5/6W			.....	PAGE-11-
9.	MUSHROOM [PC+AL+PC]		GTL8833 4/5/8W			.....	PAGE-12-

## [ L38 ] SERIES

1.	MR16 [PC+AL+PC]		GTL8138A 5/7W			.....	PAGE-13-
2.	MR16 [PC+AL+PC]		GTL8138B 5/7W			.....	PAGE-14-
3.	A45 GLOBAL [CEREMIC+GL]		GTL8338 3/4/5/6W			.....	PAGE-15-
4.	A60 GLOBAL [PC+AL+PC]		GTL8538 6/8/10/12W			.....	PAGE-16-
5.	C37 CANDLE [CEREMIC+GL]		GTL8738 3/4/5/6W			.....	PAGE-17-
6.	MUSHROOM [PC+AL+PC]		GTL8838 4/5/8W			.....	PAGE-18-

## [ L61 ] SERIES

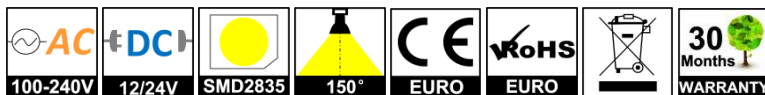
1.	A45 GLOBAL [AL+PC]		GTL8361 5W			.....	PAGE-19-
2.	A60 GLOBAL [AL+PC]		GTL8561 6/8/10W			.....	PAGE-20-
3.	C37 CANDLE [AL+PC]		GTL8761 5W			.....	PAGE-21-
4.	C37 CANDLE [AL+PC]		GTL8761 5W			.....	PAGE-22-

LED GX53							
1.	<b>GX53 BULB</b> [PC+AL]		GTL1802 5/7W			.....	PAGE-23-
LED G4/G9							
1.	<b>G9 BULB</b> [PC+AL]		GTL2802 2W			.....	PAGE-24-
2.	<b>G4 BULB</b> [PC+AL]		GTL2902 2W			.....	PAGE-24-
LED PAR							
1.	<b>PAR20/30/38</b> [STEEL+PC]		GTL1601 7/12/15W COB			.....	PAGE-25-
LED TUBE							
1.	<b>T8</b> [AL+PC]		GTL1111 10/15/20/25W			.....	PAGE-26-
2.	<b>T8</b> [SENSOR ] [EMERGENCY ]		GTL3141 18W			.....	PAGE-27-
LED BULB							
1.	<b>PAR FLOOD LIGHT</b> [AL+GL]		GTL1611 6/8/10W			.....	PAGE-28-
2.	<b>REMOTE DIMMING</b> <b>A65 GLOBAL</b> [PC+GL]		GTL8632D 6W			.....	PAGE-29-



# [ L33 ] LED SPOTLIGHT

# PC+ ALUMINUM+PC



## FEATURES

Ideal Replacement for Incandescent Lamps  
 Mercury Free, No UV No Radiation  
 Elegance Unique Uniform Design  
 Providing Uniform Illumination  
 Easy Retrofit and Low Cost  
 Color Rendering Index: >80  
 Long Lifespan Design: >25,000hours

## MATERIALS & FINISH

SMD2835 LED-Source [LM80 Test]  
 Approved Constant Current Driver  
 Built-in Aluminum Heat Sink  
 Thermal Opal Polycarbonate Shell  
 Thermal Opal Polycarbonate Diffuser

## INSTALLATION

Suitable for Fixtures of E 14, E27, B22

## STANDARDS

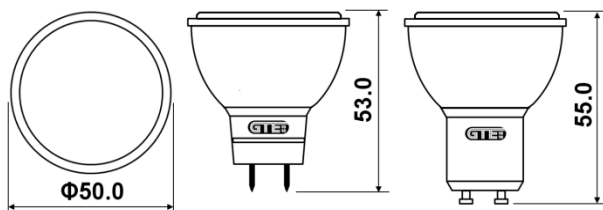
Designed and Manufactured to Comply with CE/ROHS  
 IP20 Protection

## OPTION

LED Color Temperature: CCT2700~6000K  
 Triac Dimming  
**Colorful&Blister** Packages



## DIMENSION: [UNIT: MM]



## FITMENT:

GU5.3

GU10



MODEL	INPUT [VOLTAGE]	POWER [WATT]	LED TYPE	CCT [K]	LUMEN [LM]	FITMENT	DIMMABLE	POWER FACTOR	BEAM ANGLE
GTL8133A-3W-WW	AC120/230V 50/60Hz [AC/DC12V]	3.0W	15x0.3W SMD2835	3000K	250	GU5.3 GU10	OPTIONAL	>0.4	150°
GTL8133A-3W-NW				4000K	270				
GTL8133A-3W-CW				6000K	300				
GTL8133A-4W-WW	AC120/230V 50/60Hz [AC/DC12V]	4.0W	12x0.5W SMD2835	3000K	320	GU5.3 GU10	OPTIONAL	>0.4	150°
GTL8133A-4W-NW				4000K	350				
GTL8133A-4W-CW				6000K	380				

## NOTE:

All parameters are measured at 25°C ambient temperature, 35% humidity experimental environment

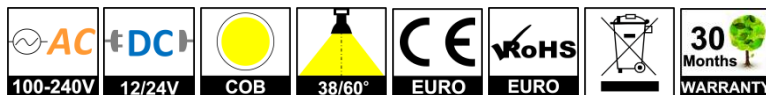
Tolerances of power and luminous flux are ±10%, tolerance of color rendering index is ±5.

# PC+ ALUMINUM

# [ L33 ] LED SPOTLIGHT

### FEATURES

Ideal Retrofit and Replacement of Halogen MR16  
 Mercury Free, No UV No Radiation  
 Economical Uniformed Design  
 Color Rendering Index: > 80  
 High Lumen Efficiency  
 Long Lifespan Design: > 25,000hours



### MATERIALS & FINISH

EPISTAR LEDs  
 Approved Constant-current Driver  
 Thermal Polycarbonate Shell  
 Built-in Aluminum Heat Sink  
 Frosted PC Diffuser / COB PC Lens

### INSTALLATION

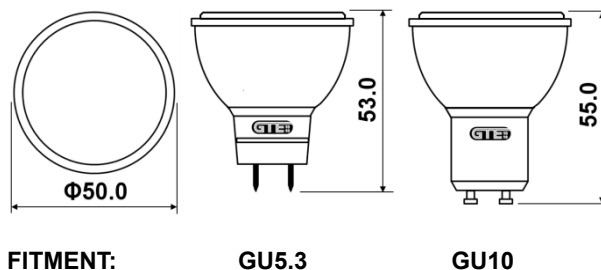
Suitable for Fixtures of GU10, GU5.3

### STANDARDS

Designed and Manufactured to Comply with CE/ROHS  
 IP20 Protection

### OPTION

LED Color Temperature: CCT2700~6000K  
**Triac Dimming**  
**Colorful&Blister Packages**



MODEL	INPUT [VOLTAGE]	POWER [WATT]	LED TYPE	CCT [K]	LUMEN [LM]	FITMENT	DIMMABLE	POWER FACTOR	BEAM ANGLE
GTL8133B-5W-WW	AC120/230V 50/60Hz [AC/DC12V]	5.0W	5W COB EPISTAR	3000K	400	GU5.3 GU10	OPTIONAL	>0.5	38/60°
GTL8133B-5W-NW				4000K	420				
GTL8133B-5W-CW				6000K	450				

### NOTE:

All parameters are measured at 25°C ambient temperature, 35% humidity experimental environment  
 Tolerances of power and luminous flux are ±10%, tolerance of color rendering index is ±5.



[ L33 ] A45 LED GLOBAL BULB

PC+ ALUMINUM+PC



**FEATURES**

Ideal Replacement for Incandescent Lamps  
 Mercury Free, No UV No Radiation  
 Elegance Unique Uniform Design  
 Providing Uniform Illumination  
 Easy Retrofit and Low Cost  
 Color Rendering Index: >80  
 Long Lifespan Design: >25,000hours

**MATERIALS & FINISH**

SMD2835 LED-Source [LM80 Test]  
 Approved Constant Current Driver  
 Built-in Aluminum Heat Sink  
 Thermal Opal Polycarbonate Shell  
 Thermal Opal Polycarbonate Diffuser

**INSTALLATION**

Suitable for Fixtures of E14, E27, B22

**STANDARDS**

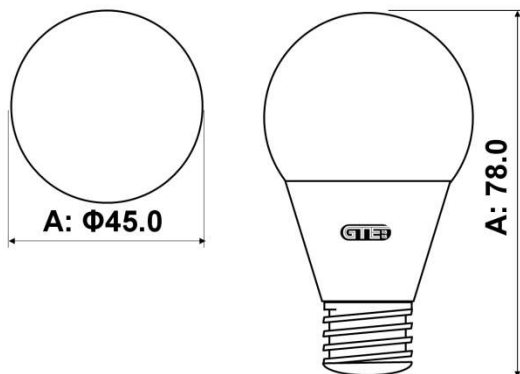
Designed and Manufactured to Comply with CE/ROHS  
 IP20 Protection

**OPTION**

LED Color Temperature: CCT2700~6000K  
 Triac Dimming  
**Colorful&Blister** Packages



**DIMENSION: [UNIT: MM]**



MODEL	INPUT [VOLTAGE]	POWER [WATT]	LED TYPE	CCT [K]	LUMEN [LM]	FITMENT	DIMMABLE	POWER FACTOR	BEAM ANGLE
GTL8333A-3W-WW	AC120/230V 50/60Hz [AC/DC12V]	3.0W	4x1W SMD2835	3000K	240	E14 E27 B22	OPTIONAL	>0.4	270°
GTL8333A-3W-NW				4000K	250				
GTL8333A-3W-CW				6000K	280				
GTL8333A-4W-WW	AC120/230V 50/60Hz [AC/DC12V]	4.0W	5x1W SMD2835	3000K	320	E14 E27 B22	OPTIONAL	>0.4	270°
GTL8333A-4W-NW				4000K	350				
GTL8333A-4W-CW				6000K	380				
GTL8333A-5W-WW	AC120/230V 50/60Hz [AC/DC12V]	5.0W	6x1W SMD2835	3000K	380	E14 E27 B22	OPTIONAL	>0.5	270°
GTL8333A-5W-NW				4000K	410				
GTL8333A-5W-CW				6000K	450				
GTL8333A-6W-WW	AC120/230V 50/60Hz [AC/DC12V]	6.0W	7x1W SMD2835	3000K	480	E14 E27 B22	OPTIONAL	>0.5	270°
GTL8333A-6W-NW				4000K	500				
GTL8333A-6W-CW				6000K	520				

**NOTE:**

All parameters are measured at 25°C ambient temperature, 35% humidity experimental environment

Tolerances of power and luminous flux are ±10%, tolerance of color rendering index is ±5.

# PC+ ALUMINUM+PC

## [ L33 ] A60 LED GLOBAL BULB

### FEATURES

Ideal Replacement for Incandescent Lamps  
 Mercury Free, No UV No Radiation  
 Elegance Unique Uniform Design  
 Easy Retrofit and Low Cost  
 Color Rendering Index: >80  
 Long Lifespan Design: >25,000hours



### MATERIALS & FINISH

SMD2835 LED-Source [LM80 Test]  
 Approved Compact RC Driver  
 Built-in Aluminum Heat Sink  
 Thermal Polycarbonate Shell  
 Thermal Frosted Polycarbonate Diffuser

### INSTALLATION

Suitable for Fixtures of E27, B22

### STANDARDS

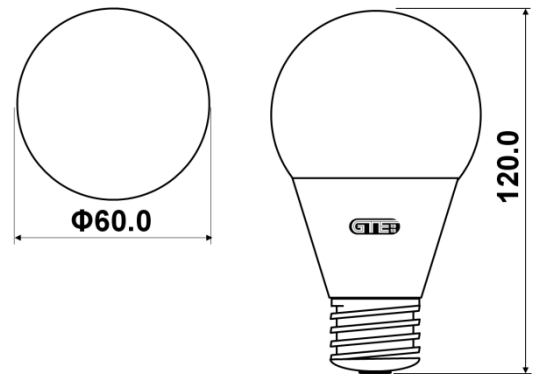
Designed and Manufactured to Comply with CE/ROHS  
 IP20 Protection

### OPTION

LED Color Temperature: CCT2700~6000K



DIMENSION: [UNIT: MM]



MODEL	INPUT [VOLTAGE]	POWER [WATT]	LED TYPE	CCT [K]	LUMEN [LM]	FITMENT	DIMMABLE	POWER FACTOR	BEAM ANGLE
GTL8533A-6W-WW	AC120/230V 50/60Hz [AC/DC12V]	6.0W	12x0.5W SMD2835	3000K	480	E27 B22	OPTIONAL	>0.4	270°
GTL8533A-6W-NW				4000K	500				
GTL8533A-6W-CW				6000K	550				
GTL8533A-8W-WW	AC120/230V 50/60Hz	8.0W	16x0.5W SMD2835	3000K	640	E27 B22	OPTIONAL	>0.4	270°
GTL8533A-8W-NW				4000K	680				
GTL8533A-8W-CW				6000K	720				
GTL8533A-10W-WW	AC120/230V 50/60Hz	10.0W	20x0.5W SMD2835	3000K	830	E27 B22	OPTIONAL	>0.4	270°
GTL8533A-10W-NW				4000K	850				
GTL8533A-10W-CW				6000K	880				
GTL8533A-12W-WW	AC120/230V 50/60Hz	12.0W	28x0.5W SMD2835	3000K	950	E27 B22	OPTIONAL	>0.5	270°
GTL8533A-12W-NW				4000K	1000				
GTL8533A-12W-CW				6000K	1050				

### NOTE:

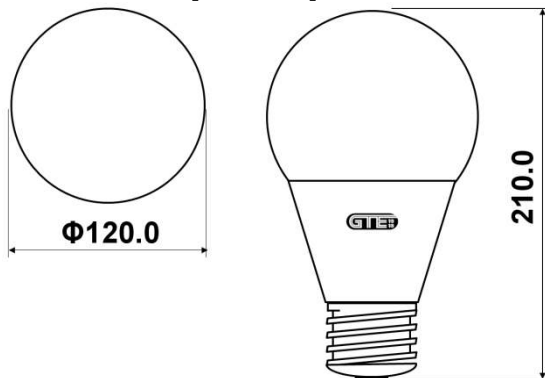
All parameters are measured at 25°C ambient temperature, 35% humidity experimental environment  
 Tolerances of power and luminous flux are ±10%, tolerance of color rendering index is ±5.

[ L33 ] A120 LED GLOBAL BULB

PC+ ALUMINUM+PC



DIMENSION: [UNIT: MM]



**FEATURES**

Ideal Replacement for Incandescent Lamps  
 Mercury Free, No UV No Radiation  
 Elegance Unique Uniform Design  
 Providing Uniform Illumination  
 Easy Retrofit and Low Cost  
 Color Rendering Index: >80  
 Long Lifespan Design: >25,000hours

**MATERIALS & FINISH**

SMD5730 LED-Source [LM80 Test]  
 Approved Constant Current Driver  
 Built-in Aluminum Heat Sink  
 Pure Aluminum House  
 Thermal Frosted Polycarbonate Diffuser

**INSTALLATION**

Suitable for Fixtures of E27, B22

**STANDARDS**

Designed and Manufactured to Comply with CE/ROHS  
 IP20 Protection

**OPTION**

LED Color Temperature: CCT2700~6000K  
 Colorful&Blister Packages



MODEL	INPUT [VOLTAGE]	POWER [WATT]	LED TYPE	CCT [K]	LUMEN [LM]	FITMENT	DIMMABLE	POWER FACTOR	BEAM ANGLE
GTL8633A-20W-WW	AC120/230V 50/60Hz	20.0W	40x0.5W SMD5730	3000K	1600	E27 B22	NON	>0.6	180°
GTL8633A-20W-NW				4000K	1700				
GTL8633A-20W-CW				6000K	1800				
GTL8633A-30W-WW	AC120/230V 50/60Hz	30.0W	60x0.5W SMD5730	3000K	2400	E27 B22	NON	>0.6	180°
GTL8633A-30W-NW				4000K	2550				
GTL8633A-30W-CW				6000K	2700				

**NOTE:**

All parameters are measured at 25°C ambient temperature, 35% humidity experimental environment

Tolerances of power and luminous flux are ±10%, tolerance of color rendering index is ±5.



# PC+ ALUMINUM+PC

# [ L33 ] G95 LED GLOBAL BULB

### FEATURES

Ideal Replacement for Incandescent Lamps  
 Mercury Free, No UV No Radiation  
 Elegance Unique Uniform Design  
 Providing Uniform Illumination  
 Easy Retrofit and Low Cost  
 Color Rendering Index: >80  
 Long Lifespan Design: >25,000hours

### MATERIALS & FINISH

SMD5730 LED-Source [LM80 Test]  
 Approved Constant Current Driver  
 Built-in Aluminum Heat Sink  
 Thermal Polycarbonate House  
 Thermal Frosted Polycarbonate Diffuser

### INSTALLATION

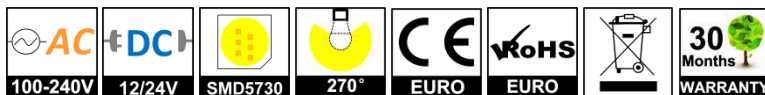
Suitable for Fixtures of E27, B22

### STANDARDS

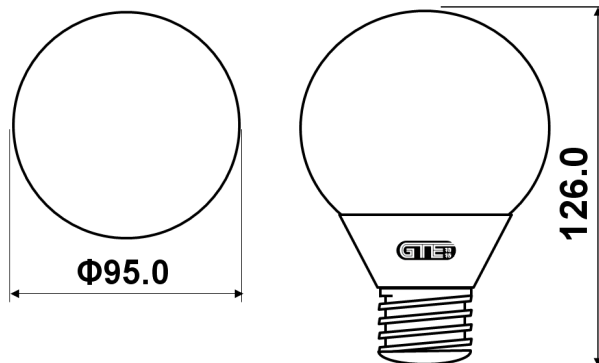
Designed and Manufactured to Comply with CE/ROHS  
 IP20 Protection

### OPTION

LED Color Temperature: CCT2700~6000K  
 Colorful&Blister Packages



DIMENSION: [UNIT: MM]



MODEL	INPUT [VOLTAGE]	POWER [WATT]	LED TYPE	CCT [K]	LUMEN [LM]	FITMENT	DIMMABLE	POWER FACTOR	BEAM ANGLE
GTL8633B-12W-WW	AC120/230V 50/60Hz	12.5W	24x0.5W SMD5730	3000K	950	E27 B22	NON	>0.5	270°
GTL8633B-12W-NW				4000K	1000				
GTL8633B-12W-CW				6000K	1050				

### NOTE:

All parameters are measured at 25°C ambient temperature, 35% humidity experimental environment

Tolerances of power and luminous flux are ±10%, tolerance of color rendering index is ±5.

[ L33 ] G120 LED GLOBAL BULB

PC+ALUMINUM+PC



**FEATURES**

Ideal Replacement for Incandescent Lamps  
 Mercury Free, No UV No Radiation  
 Elegance Unique Uniform Design  
 Providing Uniform Illumination  
 Easy Retrofit and Low Cost  
 Color Rendering Index: >80  
 Long Lifespan Design: >25,000hours

**MATERIALS & FINISH**

SMD5730 LED-Source [LM80 Test]  
 Approved Constant Current Driver  
 Built-in Aluminum Heat Sink  
 Pure Aluminum House  
 Thermal Frosted Polycarbonate Diffuser

**INSTALLATION**

Suitable for Fixtures of E27, B22

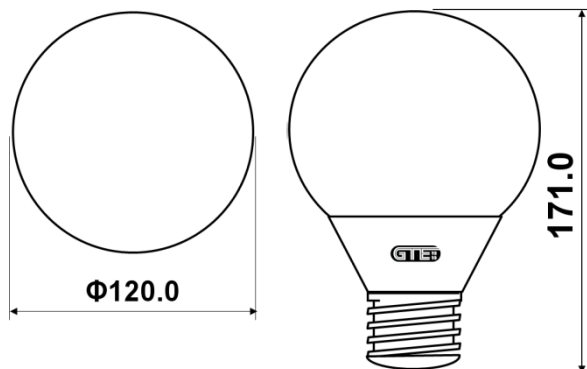
**STANDARDS**

Designed and Manufactured to Comply with CE/ROHS  
 IP20 Protection

**OPTION**

LED Color Temperature: CCT2700~6000K  
 Colorful&Blister Packages

**DIMENSION: [UNIT: MM]**



MODEL	INPUT [VOLTAGE]	POWER [WATT]	LED TYPE	CCT [K]	LUMEN [LM]	FITMENT	DIMMABLE	POWER FACTOR	BEAM ANGLE
GTL8633C-15W-WW	AC120/230V 50/60Hz	15.0W	30x0.5W SMD5730	3000K	1200	E27 B22	NON	>0.6	1270°
GTL8633C-15W-NW				4000K	1250				
GTL8633C-15W-CW				6000K	1300				
GTL8633C-20W-WW	AC120/230V 50/60Hz	20.0W	40x0.5W SMD730	3000K	1600	E27 B22	NON	>0.6	270°
GTL8633C-20W-NW				4000K	1680				
GTL8633C-20W-CW				6000K	1750				

**NOTE:**

All parameters are measured at 25°C ambient temperature, 35% humidity experimental environment  
 Tolerances of power and luminous flux are ±10%, tolerance of color rendering index is ±5.

[ L33 ] C37 LED CANDLE BULB

PC+ ALUMINUM+PC



**FEATURES**

Ideal Replacement for Incandescent Lamps  
 Mercury Free, No UV No Radiation  
 Elegance Unique Uniform Design  
 Providing Uniform Illumination  
 Easy Retrofit and Low Cost  
 Color Rendering Index: >80  
 Long Lifespan Design: >25,000hours

**MATERIALS & FINISH**

SMD2835 LED-Source [LM80 Test]  
 Approved Compact RC Driver  
 Built-in Aluminum Heat Sink  
 Thermal Polycarbonate Shell  
 Thermal Frosted Polycarbonate Diffuser

**INSTALLATION**

Suitable for Fixtures of E14, E27, B22

**STANDARDS**

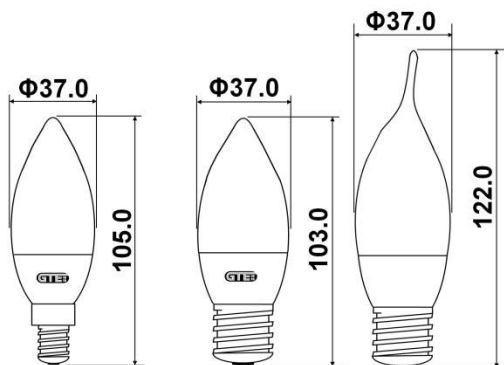
Designed and Manufactured to Comply with CE/ROHS  
 IP20 Protection

**OPTION**

LED Color Temperature: CCT2700~6000K  
 Triac Dimming  
 Colorful&Blister Packages



DIMENSION: [UNIT: MM]



MODEL	INPUT [VOLTAGE]	POWER [WATT]	LED TYPE	CCT [K]	LUMEN [LM]	FITMENT	DIMMABLE	POWER FACTOR	BEAM ANGLE
GTL8733A-3W-WW	AC120/230V 50/60Hz [AC/DC12V]	3.0W	4x1W SMD2835	3000K	240	E14 E27 B22	OPTIONAL	>0.4	270°
GTL8733A-3W-NW				4000K	250				
GTL8733A-3W-CW				6000K	280				
GTL8733A-4W-WW	AC120/230V 50/60Hz [AC/DC12V]	4.0W	5x1W SMD2835	3000K	320	E14 E27 B22	OPTIONAL	>0.4	270°
GTL8733A-4W-NW				4000K	350				
GTL8733A-4W-CW				6000K	380				
GTL8733A-5W-WW	AC120/230V 50/60Hz [AC/DC12V]	5.0W	6x1W SMD2835	3000K	380	E14 E27 B22	OPTIONAL	>0.5	270°
GTL8733A-5W-NW				4000K	410				
GTL8733A-5W-CW				6000K	450				
GTL8733A-6W-WW	AC120/230V 50/60Hz [AC/DC12V]	6.0W	7x1W SMD2835	3000K	480	E14 E27 B22	OPTIONAL	>0.5	270°
GTL8733A-6W-NW				4000K	500				
GTL8733A-6W-CW				6000K	520				

**NOTE:**

All parameters are measured at 25°C ambient temperature, 35% humidity experimental environment

Tolerances of power and luminous flux are ±10%, tolerance of color rendering index is ±5.

# PC+ ALUMINUM+PC

# [ L33 ] LED MUSHROOM BULB

### FEATURES

Ideal Replacement for Incandescent Lamps  
 Mercury Free, No UV No Radiation  
 Elegance Unique Uniform Design  
 Easy Retrofit and Low Cost  
 Color Rendering Index: > 80  
 Long Lifespan Design: > 25,000hours



### MATERIALS & FINISH

SMD2835 LED-Source [LM80 Test]  
 Approved Compact RC Driver  
 Built-in Aluminum Heat Sink  
 Thermal Polycarbonate Shell  
 Thermal Frosted Polycarbonate Diffuser

### INSTALLATION

Suitable for Fixtures of E 14, E27, B22

### STANDARDS

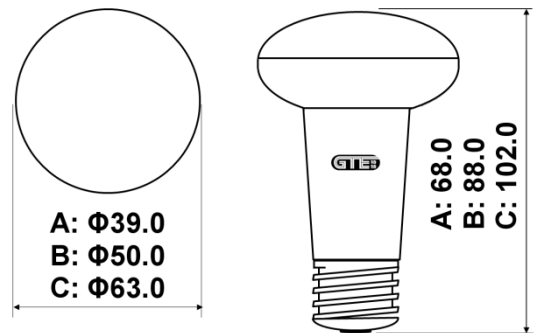
Designed and Manufactured to Comply with CE/ROHS  
 IP20 Protection

### OPTION

LED Color Temperature: CCT2700~6000K



DIMENSION: [UNIT: MM]



MODEL	INPUT [VOLTAGE]	POWER [WATT]	LED TYPE	CCT [K]	LUMEN [LM]	FITMENT	DIMMABLE	POWER FACTOR	BEAM ANGLE
GTL8833A-4W-WW	AC120/230V 50/60Hz [AC/DC:12V]	4.0W	15x0.5W SMD2835	3000K	300	E14	OPTIONAL	>0.4	180°
GTL8833A-4W-NW				4000K	310				
GTL8833A-4W-CW				6000K	330				
GTL8833B-5W-WW	AC120/230V 50/60Hz [AC/DC:12V]	5.0W	18x0.5W SMD2835	3000K	380	E14	OPTIONAL	>0.5	180°
GTL8833B-5W-NW				4000K	400				
GTL8833B-5W-CW				6000K	420				
GTL8833C-8W-WW	AC120/230V 50/60Hz [AC/DC:12V]	8.0W	20x0.5W SMD2835	3000K	600	E27 B22	OPTIONAL	>0.5	180°
GTL8833C-8W-NW				4000K	620				
GTL8833C-8W-CW				6000K	650				

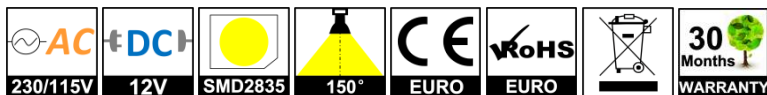
### NOTE:

All parameters are measured at 25°C ambient temperature, 35% humidity experimental environment

Tolerances of power and luminous flux are ±10%, tolerance of color rendering index is ±5.

# [ L38 ] LED SPOTLIGHT

# PC+ALUMINUM+PC



### FEATURES

Ideal Retrofit and Replacement of Halogen MR16  
 Mercury Free, No UV No Radiation  
 Economical Uniformed Design  
 Color Rendering Index: >80  
 High Lumen Efficiency  
 Long Lifespan Design: >25,000hours

### MATERIALS & FINISH

EPISTAR SMD2835 LEDs [LM80 Test]  
 Approved Constant-current Driver  
 White Finish Thermal PC Shell  
 Built-in Aluminum Heat Sink  
 Frosted PC Diffuser

### INSTALLATION

Suitable for Fixtures of GU10, GU5.3

### STANDARDS

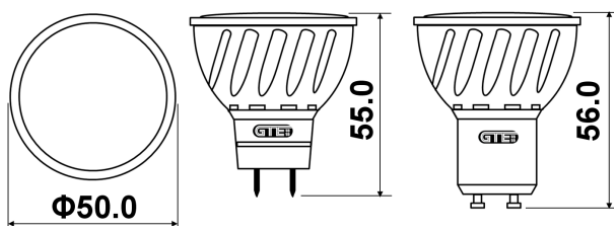
Designed and Manufactured to Comply with  
 CE/ROHS/GS  
 IP20 Protection

### OPTION

LED Color Temperature: CCT2700~6000K  
**Triac Dimming**  
**Colorful&Blister Packages**



**DIMENSION: [UNIT: MM]**



**FITMENT: GU5.3 GU10**



MODEL	INPUT VOLTAGE	POWER WATT	LED TYPE	CCT K	LUMEN LM	FITMENT	DIMMABLE	POWER FACTOR	BEAM ANGLE
GTL8138A-3W-WW	AC120/230V 50/60Hz [AC/DC12V]	3.5W	7x0.5W SMD2835	3000K	250	GU5.3 GU10	OPTIONAL	>0.5	150°
GTL8138A-3W-NW				4000K	270				
GTL8138A-5W-CW				6000K	290				
GTL8138A-3W-WW	AC120/230V 50/60Hz [AC/DC12V]	5.0W	10x0.5W SMD2835	3000K	400	GU5.3 GU10	OPTIONAL	>0.5	150°
GTL8138A-5W-NW				4000K	420				
GTL8138A-5W-CW				6000K	450				
GTL8138A-7W-WW	AC100-240V 50/60Hz [AC/DC12V]	7.0W	16x0.5W SMD2835	3000K	520	GU5.3 GU10	OPTIONAL	>0.5	150°
GTL8138A-7W-NW				4000K	550				
GTL8138A-7W-CW				6000K	580				

**NOTE:**

All parameters are measured at 25°C ambient temperature, 35% humidity experimental environment  
 Tolerances of power and luminous flux are ±10%, tolerance of color rendering index is ±5.



# PC+ALUMINUM+PC

## [ L38 ] LED SPOTLIGHT

### FEATURES

Ideal Retrofit and Replacement of Halogen MR16  
 Mercury Free, No UV No Radiation  
 Economical Uniformed Design  
 Color Rendering Index: >80  
 High Lumen Efficiency  
 Long Lifespan Design: >25,000hours



### MATERIALS & FINISH

EPISTAR COB LEDs [LM80 Test]  
 Approved Constant-current Driver  
 White Finish Thermal PC Shell  
 Built-in Aluminum Heat Sink  
 Transparent d PC Lens

### INSTALLATION

Suitable for Fixtures of GU10, GU5.3

### STANDARDS

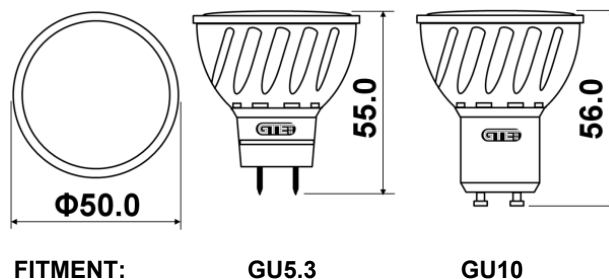
Designed and Manufactured to Comply with  
 CE/ROHS/GS  
 IP20 Protection

### OPTION

LED Color Temperature: CCT2700~6000K  
**Triac Dimming**  
**Colorful&Blister Packages**



DIMENSION: [UNIT: MM]



MODEL	INPUT VOLTAGE	POWER WATT	LED TYPE	CCT K	LUMEN LM	FITMENT	DIMMABLE	POWER FACTOR	BEAM ANGLE
GTL8138B-3W-WW	AC120/230V 50/60Hz [AC/DC12V]	3.5W	3W COB EPISTAR	3000K	220	GU5.3 GU10	OPTIONAL	>0.5	40°
GTL8138B-3W-NW				4000K	240				
GTL8138B-3W-CW				6000K	250				
GTL8138B-5W-WW	AC120/230V 50/60Hz [AC/DC12V]	5.0W	5W COB EPISTAR	3000K	350	GU5.3 GU10	OPTIONAL	>0.5	40°
GTL8138B-5W-NW				4000K	380				
GTL8138B-5W-CW				6000K	420				
GTL8138B-7W-WW	AC100-240V 50/60Hz [AC/DC12V]	7.0W	7W COB EPISTAR	3000K	480	GU5.3 GU10	OPTIONAL	>0.5	40°
GTL8138B-7W-NW				4000K	500				
GTL8138B-7W-CW				6000K	520				

### NOTE:

All parameters are measured at 25°C ambient temperature, 35% humidity experimental environment  
 Tolerances of power and luminous flux are ±10%, tolerance of color rendering index is ±5.

[ L38 ] A45 LED GLOBAL BULB

PC+ALUMINUM+PC



**FEATURES**

Ideal Replacement for Incandescent Lamps  
 Mercury Free, No UV No Radiation  
 Elegance Unique Uniform Design  
 Providing Uniform Illumination  
 Easy Retrofit and Low Cost  
 Color Rendering Index: >80  
 Long Lifespan Design: >25,000hours

**MATERIALS & FINISH**

EPISTAR SMD2835 LEDs [LM80 Test]  
 Approved Constant-current Driver  
 White Finish Thermal PC Shell  
 Built-in Aluminum Heat Sink  
 Frosted PC Diffuser

**INSTALLATION**

Suitable for Fixtures of E14, E27

**STANDARDS**

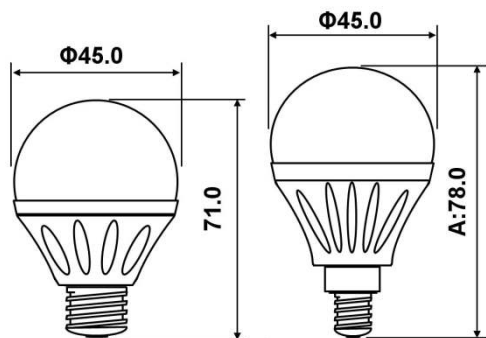
Designed and Manufactured to Comply with CE/ROHS  
 IP20 Protection (IP64 Available)

**OPTION**

LED Color Temperature: CCT2700~6000K  
 Triac Dimming  
**Colorful&Blister Packages**  
**Colorful Bulb:**



**DIMENSION: [UNIT: MM]**



**FITMENT: E27**

**E14**



MODEL	INPUT [VOLTAGE]	POWER [WATT]	LED TYPE	CCT [K]	LUMEN [LM]	FITMENT	DIMMABLE	POWER FACTOR	BEAM ANGLE
GTL8338A-3W-VWV	AC120/230V 50/60Hz [AC/DC12V]	3.0W	4x1W SMD2835	3000K	240	E14 E27 (B22)	OPTIONAL	>0.4	270°
GTL8338A-3W-NW				4000K	250				
GTL8338A-3W-CW				6000K	280				
GTL8338A-4W-VWV	AC120/230V 50/60Hz [AC/DC12V]	4.0W	5x1W SMD2835	3000K	320	E14 E27 (B22)	OPTIONAL	>0.4	270°
GTL8338A-4W-NW				4000K	350				
GTL8338A-4W-CW				6000K	380				
GTL8338A-5W-VWV	AC120/230V 50/60Hz [AC/DC12V]	5.0W	6x1W SMD2835	3000K	380	E14 E27 (B22)	OPTIONAL	>0.5	270°
GTL8338A-5W-NW				4000K	410				
GTL8338A-5W-CW				6000K	450				
GTL8338A-6W-VWV	AC120/230V 50/60Hz [AC/DC12V]	6.0W	7x1W SMD2835	3000K	480	E14 E27 (B22)	OPTIONAL	>0.5	270°
GTL8338A-6W-NW				4000K	500				
GTL8338A-6W-CW				6000K	520				

**NOTE:**

All parameters are measured at 25°C ambient temperature, 35% humidity experimental environment

Tolerances of power and luminous flux are ±10%, tolerance of color rendering index is ±5.

# PC+ALUMINUM+PC

## [ L38 ] A60 LED GLOBAL BULB

### FEATURES

Ideal Replacement for Incandescent Lamps  
 Mercury Free, No UV No Radiation  
 Elegance Unique Uniform Design  
 Providing Uniform Illumination  
 Easy Retrofit and Low Cost  
 Color Rendering Index: >80  
 Long Lifespan Design: >25,000hours



### MATERIALS & FINISH

EPISTAR SMD2835 LEDs [LM80 Test]  
 Approved Constant-current Driver  
 White Finish Thermal PC Shell  
 Built-in Aluminum Heat Sink  
 Frosted PC Diffuser

### INSTALLATION

Suitable for Fixtures of E27, B22

### STANDARDS

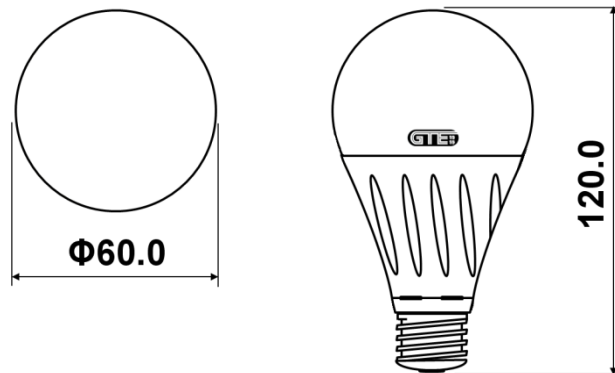
Designed and Manufactured to Comply with CE/ROHS  
 IP20 Protection (IP64 Available)

### OPTION

LED Color Temperature: CCT2700~6000K  
**Triac Dimming**  
**Colorful&Blister** Packages  
**Colorful Bulb:**



DIMENSION: [UNIT: MM]



MODEL	INPUT [VOLTAGE]	POWER [WATT]	LED TYPE	CCT [K]	LUMEN [LM]	FITMENT	DIMMABLE	POWER FACTOR	BEAM ANGLE
GTL8538A-6W-WW	AC120/230V 50/60Hz [AC/DC:12V]	6.0W	12x0.5W SMD2835	3000K	480	E27 B22	OPTIONAL	>0.4	270°
GTL8538A-6W-NW				4000K	520				
GTL8538A-6W-CW				6000K	550				
GTL8538A-8W-WW	AC120/230V 50/60Hz	8.0W	16x0.5W SMD2835	3000K	640	E27 B22	OPTIONAL	>0.4	270°
GTL8538A-8W-NW				4000K	680				
GTL8538A-8W-CW				6000K	720				
GTL8538A-10W-WW	AC120/230V 50/60Hz	10.0W	20x0.5W SMD2835	3000K	830	E27 B22	OPTIONAL	>0.5	270°
GTL8538A-10W-NW				4000K	850				
GTL8538A-10W-CW				6000K	880				
GTL8538A-12W-WW	AC120/230V 50/60Hz	12.0W	28x0.5W SMD2835	3000K	950	E27 B22	OPTIONAL	>0.5	270°
GTL8538A-12W-NW				4000K	1000				
GTL8538A-12W-CW				6000K	1050				

### NOTE:

All parameters are measured at 25°C ambient temperature, 35% humidity experimental environment

Tolerances of power and luminous flux are ±10%, tolerance of color rendering index is ±5.

[ L38 ] C37 LED CANDLE BULB

PC+ALUMINUM+PC



**FEATURES**

Ideal Replacement for Incandescent Lamps  
 Mercury Free, No UV No Radiation  
 Elegance Unique Uniform Design  
 Providing Uniform Illumination  
 Easy Retrofit and Low Cost  
 Color Rendering Index: >80  
 Long Lifespan Design: >25,000hours

**MATERIALS & FINISH**

EPISTAR SMD2835 LEDs [LM80 Test]  
 Approved Constant-current Driver  
 White Finish Thermal PC Shell  
 Built-in Aluminum Heat Sink  
 Frosted PC Diffuser

**INSTALLATION**

Suitable for Fixtures of E14, E27

**STANDARDS**

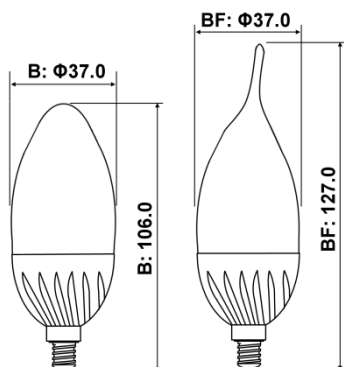
Designed and Manufactured to Comply with CE/ROHS  
 IP20 Protection (IP64 Available)

**OPTION**

LED Color Temperature: CCT2700~6000K  
 Triac Dimming  
**Colorful&Blister Packages**  
**Colorful Bulb:**



**DIMENSION: [UNIT: MM]**



**FITMENT: E14 [ROUND] E14 [FLAME]**



MODEL	INPUT [VOLTAGE]	POWER [WATT]	LED TYPE	CCT [K]	LUMEN [LM]	FITMENT	DIMMABLE	POWER FACTOR	BEAM ANGLE
GTL8738B-3W-VVV	AC120/230V 50/60Hz [AC/DC12V]	3.0W	4x1W SMD2835	3000K	240	E14 E27 (B22)	OPTIONAL	>0.4	270°
GTL8738B-3W-NW				4000K	250				
GTL8738B-3W-CW				6000K	280				
GTL8738B-4W-VVV	AC120/230V 50/60Hz [AC/DC12V]	4.0W	5x1W SMD2835	3000K	320	E14 E27 (B22)	OPTIONAL	>0.4	270°
GTL8738B-4W-NW				4000K	350				
GTL8738B-4W-CW				6000K	380				
GTL8738B-5W-VVV	AC120/230V 50/60Hz [AC/DC12V]	5.0W	6x1W SMD2835	3000K	380	E14 E27 (B22)	OPTIONAL	>0.5	270°
GTL8738B-5W-NW				4000K	410				
GTL8738B-5W-CW				6000K	450				
GTL8738B-6W-VVV	AC120/230V 50/60Hz [AC/DC12V]	6.0W	7x1W SMD2835	3000K	480	E14 E27 (B22)	OPTIONAL	>0.5	270°
GTL8738B-6W-NW				4000K	500				
GTL8738B-6W-CW				6000K	520				

**NOTE:**

All parameters are measured at 25°C ambient temperature, 35% humidity experimental environment

Tolerances of power and luminous flux are ±10%, tolerance of color rendering index is ±5.



# PC+ALUMINUM+PC

# [ L38 ] LED MUSHROOM BULB

### FEATURES

Ideal Replacement for Incandescent Lamps  
 Mercury Free, No UV No Radiation  
 Elegance Unique Uniform Design  
 Providing Uniform Illumination  
 Easy Retrofit and Low Cost  
 Color Rendering Index: > 80  
 Long Lifespan Design: > 25,000hours



### MATERIALS & FINISH

EPISTAR SMD2835 LEDs [LM80 Test]  
 Approved Constant-current Driver  
 White Finish Thermal PC Shell  
 Built-in Aluminum Heat Sink  
 Frosted PC Diffuser

### INSTALLATION

Suitable for Fixtures of E14, E27, B22

### STANDARDS

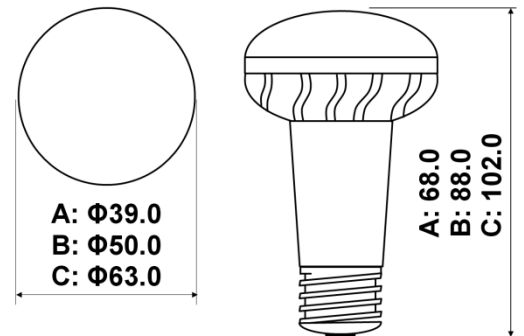
Designed and Manufactured to Comply with CE/ROHS  
 IP20 Protection (IP64 Available)

### OPTION

LED Color Temperature: CCT2700~6000K  
 Triac Dimming  
**Colorful&Blister** Packages  
**Colorful Bulb:**



DIMENSION: [UNIT: MM]



MODEL	INPUT [VOLTAGE]	POWER [WATT]	LED TYPE	CCT [K]	LUMEN [LM]	FITMENT	DIMMABLE	POWER FACTOR	BEAM ANGLE
GTL8838A-4W-VVV	AC120/230V 50/60Hz [AC/DC12V]	4.0W	15x0.5W SMD2835	3000K	300	E14	OPTIONAL	>0.4	180°
GTL8838A-4W-NW				4000K	310				
GTL8838A-4W-CW				6000K	330				
GTL8838B-5W-VVV	AC120/230V 50/60Hz [AC/DC12V]	5.0W	18x0.5W SMD2835	3000K	380	E14	OPTIONAL	>0.5	180°
GTL8838B-5W-NW				4000K	400				
GTL8838B-5W-CW				6000K	420				
GTL8838C-8W-VVV	AC120/230V 50/60Hz [AC/DC12V]	8.0W	20x0.5W SMD2835	3000K	600	E27 B22	OPTIONAL	>0.5	180°
GTL8838C-8W-NW				4000K	620				
GTL8838C-8W-CW				6000K	650				

### NOTE:

All parameters are measured at 25°C ambient temperature, 35% humidity experimental environment

Tolerances of power and luminous flux are  $\pm 10\%$ , tolerance of color rendering index is  $\pm 5$ .



[ L61 ] A45 LED GLOBAL BULB

ALUMINUM+PC



**FEATURES**

Ideal Replacement for Incandescent Lamps  
 Mercury Free, No UV No Radiation  
 Elegance Unique Uniform Design  
 Providing Uniform Illumination  
 Easy Retrofit and Low Cost  
 Color Rendering Index: >80  
 Long Lifespan Design: >25,000hours

**MATERIALS & FINISH**

EPISTAR SMD2835 LEDs [LM80 Test]  
 Approved Constant-current Driver  
 Die-casted Aluminum Shell  
 Frosted PC Diffuser

**INSTALLATION**

Suitable for Fixtures of E14, E27, B22

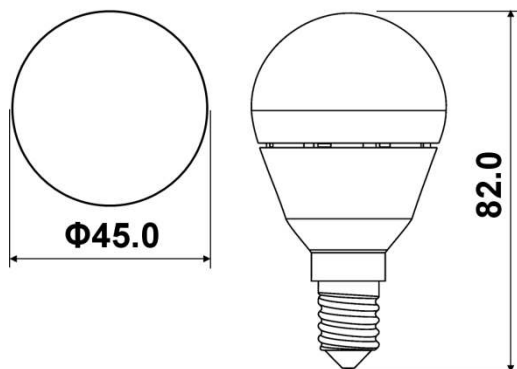
**STANDARDS**

Designed and Manufactured to Comply with  
 CE/ROHS  
 IP20 Protection

**OPTION**

LED Color Temperature: CCT2700~6000K  
**White** or **Silver** Finish  
**Colorful&Blister** Packages

**DIMENSION: [UNIT: MM]**



MODEL	INPUT [VOLTAGE]	POWER [WATT]	LED TYPE	CCT [K]	LUMEN [LM]	FITMENT	DIMMABLE	POWER FACTOR	BEAM ANGLE
GTL8361A-5W-WW	AC100-240V 50/60Hz	5.0W	9x0.5W SMD2835	3000K	380	E14 E27 B22	OPTIONAL	>0.5	180°
GTL8361A-5W-NW				4000K	400				
GTL8361A-5W-CW				6000K	420				

**NOTE:**

All parameters are measured at 25°C ambient temperature, 35% humidity experimental environment

Tolerances of power and luminous flux are ±10%, tolerance of color rendering index is ±5.

# ALUMINUM+PC

## [ L61 ] A60 LED GLOBAL BULB

### FEATURES

Ideal Replacement for Incandescent Lamps  
 Mercury Free, No UV No Radiation  
 Elegance Unique Uniform Design  
 Providing Uniform Illumination  
 Easy Retrofit and Low Cost  
 Color Rendering Index: > 80  
 Long Lifespan Design: >25,000hours



### MATERIALS & FINISH

EPISTAR SMD2835 LEDs [LM80 Test]  
 Approved Constant-current Driver  
 Die-casted Aluminum Shell  
 Frosted PC Diffuser

### INSTALLATION

Suitable for Fixtures of E 14, E27, B22

### STANDARDS

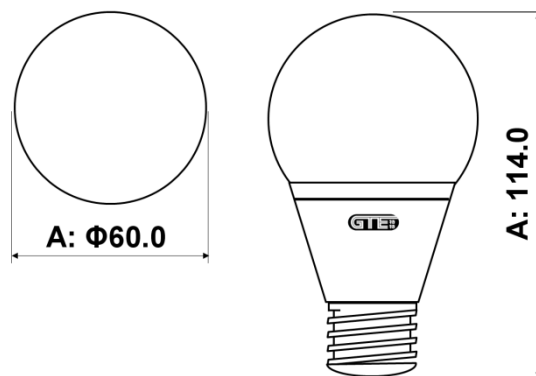
Designed and Manufactured to Comply with CE/ROHS  
 IP20 Protection

### OPTION

LED Color Temperature: CCT2700~6000K  
**White** or **Silver** Finish  
**Colorful&Blister** Packages



DIMENSION: [UNIT: MM]



MODEL	INPUT [VOLTAGE]	POWER [WATT]	LED TYPE	CCT [K]	LUMEN [LM]	FITMENT	DIMMABLE	POWER FACTOR	BEAM ANGLE
GTL8561A-6W-WW	AC100-240V 50/60Hz	6.5W	13x0.5W SMD2835	3000K	540	E27 B22	OPTIONAL	>0.5	270°
GTL8561A-6W-NW				4000K	550				
GTL8561A-6W-CW				6000K	570				
GTL8561A-8W-WW	AC100-240V 50/60Hz	8.5W	17x0.5W SMD2835	3000K	720	E27 B22	OPTIONAL	>0.5	270°
GTL8561A-8W-NW				4000K	750				
GTL8561A-8W-CW				6000K	770				
GTL8561A-10W-WW	AC100-240V 50/60Hz	10.5W	24x0.5W SMD2835	3000K	900	E27 B22	OPTIONAL	>0.6	270°
GTL8561A-10W-NW				4000K	940				
GTL8561A-10W-CW				6000K	970				

### NOTE:

All parameters are measured at 25°C ambient temperature, 35% humidity experimental environment

Tolerances of power and luminous flux are ±10%, tolerance of color rendering index is ±5.

[ L61 ] C37 LED CANDLE BULB

ALUMINUM+PC



**FEATURES**

Ideal Replacement for Incandescent Lamps  
 Mercury Free, No UV No Radiation  
 Elegance Unique Uniform Design  
 Providing Uniform Illumination  
 Easy Retrofit and Low Cost  
 Color Rendering Index: >80  
 Long Lifespan Design: >25,000hours

**MATERIALS & FINISH**

EPISTAR SMD2835 LEDs [LM80 Test]  
 Approved Constant-current Driver  
 Die-casted Aluminum Shell  
 Frosted PC Diffuser

**INSTALLATION**

Suitable for Fixtures of E14, E27, B22

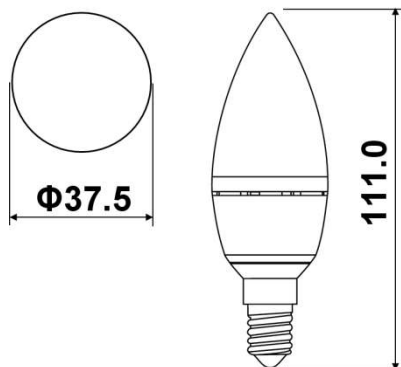
**STANDARDS**

Designed and Manufactured to Comply with  
 CE/ROHS  
 IP20 Protection

**OPTION**

LED Color Temperature: CCT2700~6000K  
 White or Silver Finish  
 Colorful&Blister Packages

DIMENSION: [UNIT: MM]



MODEL	INPUT [VOLTAGE]	POWER [WATT]	LED TYPE	CCT [K]	LUMEN [LM]	FITMENT	DIMMABLE	POWER FACTOR	BEAM ANGLE
GTL8761A-5W-WW	AC100-240V 50/60Hz	5.0W	9x0.5W SMD2835	3000K	380	E14 E27 B22	OPTIONAL	>0.5	180°
GTL8761A-5W-NW				4000K	400				
GTL8761A-5W-CW				6000K	420				

**NOTE:**

All parameters are measured at 25°C ambient temperature, 35% humidity experimental environment

Tolerances of power and luminous flux are ±10%, tolerance of color rendering index is ±5.

# ALUMINUM+PC

# [ L61 ] LED CANDLE BULB

### FEATURES

Ideal Replacement for Incandescent Lamps  
 Mercury Free, No UV No Radiation  
 Elegance Unique Uniform Design  
 Providing Uniform Illumination  
 Easy Retrofit and Low Cost  
 Color Rendering Index: > 80  
 Long Lifespan Design: > 25,000hours

### MATERIALS & FINISH

EPISTAR SMD2835 LEDs [LM80 Test]  
 Approved Constant-current Driver  
 Die-casted Aluminum Shell  
 Transparent PC Diffuser

### INSTALLATION

Suitable for Fixtures of E14, E27, B22

### STANDARDS

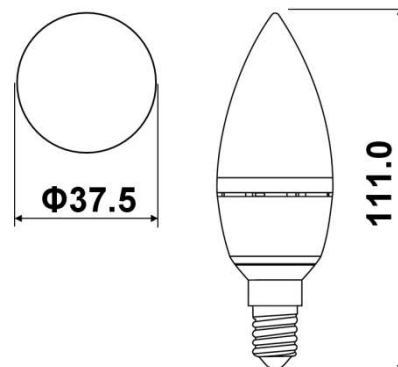
Designed and Manufactured to Comply with CE/ROHS  
 IP20 Protection

### OPTION

LED Color Temperature: CCT2700~6000K  
**White** or **Silver** Finish  
**Colorful&Blister** Packages



DIMENSION: [UNIT: MM]



MODEL	INPUT [VOLTAGE]	POWER [WATT]	LED TYPE	CCT [K]	LUMEN [LM]	FITMENT	DIMMABLE	POWER FACTOR	BEAM ANGLE
GTL8761B-5W-WW	AC100-240V 50/60Hz	5.0W	4x1W SMD3030	3000K	380	E14 E27 B22	OPTIONAL	> 0.5	270°
GTL8761B-5W-NW				4000K	400				
GTL8761B-5W-CW				6000K	420				

### NOTE:

All parameters are measured at 25°C ambient temperature, 35% humidity experimental environment

Tolerances of power and luminous flux are ±10%, tolerance of color rendering index is ±5.

# PC+ ALUMINUM+PC

## GX53 LED BULB

### FEATURES

Ideal Replacement for Candle Lamps  
 Mercury Free, No UV No Radiation  
 Elegance Unique Uniform Design  
 Providing Uniform Illumination  
 Easy Retrofit and Low Cost  
 Color Rendering Index: >80  
 Long Lifespan Design: >25,000hours

### MATERIALS & FINISH

SMD2835 LED-Source [LM80 Test]  
 Approved RC Driver  
 Built-in Aluminum Heat Sink  
 Thermal Polycarbonate House  
 Thermal Frosted Polycarbonate Diffuser

### INSTALLATION

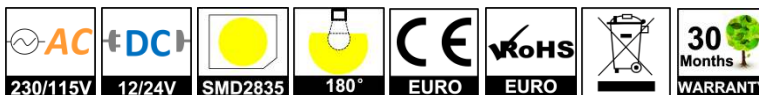
Suitable for Fixtures of GU53

### STANDARDS

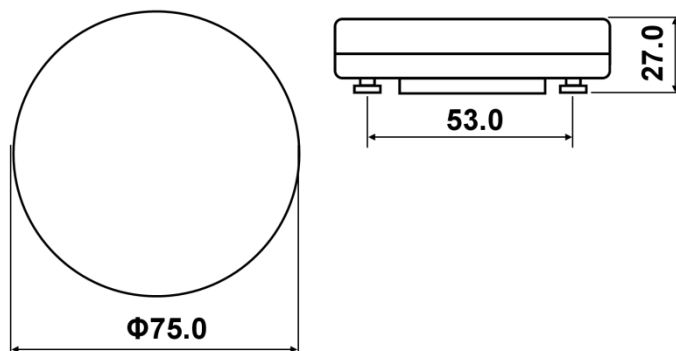
Designed and Manufactured to Comply with CE/ROHS  
 IP20 Protection

### OPTION

LED Color Temperature: CCT2700~6000K  
 Colorful&Blister Packages



DIMENSION: [UNIT: MM]



MODEL	INPUT [VOLTAGE]	POWER [WATT]	LED TYPE	CCT [K]	LUMEN [LM]	FITMENT	DIMMABLE	POWER FACTOR	BEAM ANGLE
GTL1802A-5W-WW	AC120/230V 50/60Hz [AC/DC12V]	5.0W	24x0.2W SMD2835	3000K	400	GU53	NON	>0.5	180°
GTL1802A-5W-NW				4000K	420				
GTL1802A-5W-CW				6000K	450				
GTL1802A-7W-WW	AC120/230V 50/60Hz [AC/DC12V]	7.0W	36x0.2W SMD2835	3000K	520	GU53	NON	>0.5	180°
GTL1802A-7W-NW				4000K	550				
GTL1802A-7W-CW				6000K	580				

### NOTE:

All parameters are measured at 25°C ambient temperature, 35% humidity experimental environment

Tolerances of power and luminous flux are ±10%, tolerance of color rendering index is ±5.

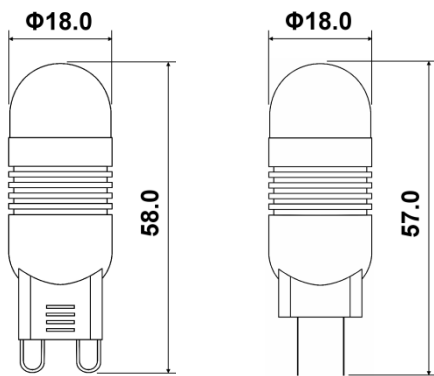


## G4/G9 LED BULB

## PC+ PC



### DIMENSION: [UNIT: MM]



FITMENT: G9

G4

### FEATURES

Ideal Replacement for Candle Lamps  
Mercury Free, No UV No Radiation  
Elegance Unique Uniform Design  
Providing Uniform Illumination  
Easy Retrofit and Low Cost  
Color Rendering Index: >80  
Long Lifespan Design: >25,000hours

### MATERIALS & FINISH

High Power LED-Source [LM80 Test]  
Approved Constant Current Driver  
Built-in Aluminum Heat Sink  
Pure Aluminum House  
Thermal Frosted Polycarbonate Diffuser

### INSTALLATION

Suitable for Fixtures of G4, G9

### STANDARDS

Designed and Manufactured to Comply with CE/ROHS  
IP20 Protection

### OPTION

LED Color Temperature: CCT2700~6000K  
Colorful&Blister Packages



MODEL	INPUT [VOLTAGE]	POWER [WATT]	LED TYPE	CCT [K]	LUMEN [LM]	FITMENT	DIMMABLE	POWER FACTOR	BEAM ANGLE
GTL2802A-2W-WW	AC120/230V 50/60Hz [AC/DC12V]	2.0W	1x2W EPISTAR	3000K	120	G9	NON	>0.3	180°
GTL2802A-2W-NW				4000K	130				
GTL2802A-2W-CW				6000K	150				
GTL2902A-2W-WW	AC/DC12-17V	2.0W	1x2W EPISTAR	3000K	120	G4	NON	>0.3	180°
GTL2902A-2W-NW				4000K	130				
GTL2902A-2W-CW				6000K	150				

### NOTE:

All parameters are measured at 25°C ambient temperature, 35% humidity experimental environment

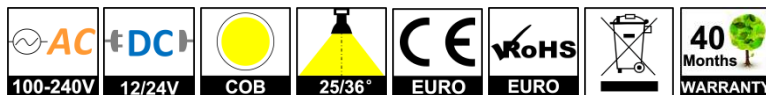
Tolerances of power and luminous flux are ±10%, tolerance of color rendering index is ±5.

# PC+ ALUMINUM

# LED PAR

## FEATURES

Ideal Retrofit and Replacement of PAR Lamp  
 Mercury Free, No UV No Radiation  
 Unique Elegance Uniformed Design  
 Color Rendering Index: > 85  
 High Lumen Efficiency  
 Long Lifespan Design: > 25,000hours



## MATERIALS & FINISH

EPISTAR COB LEDs  
 Specified Constant-current Driver  
 Thermal Steel Housing  
 Enamel White Finish  
 Aluminum Heat Sink Inside  
 Non-glared Dotted Optics PC Diffuser  
 Aluminum Reflector

## INSTALLATION

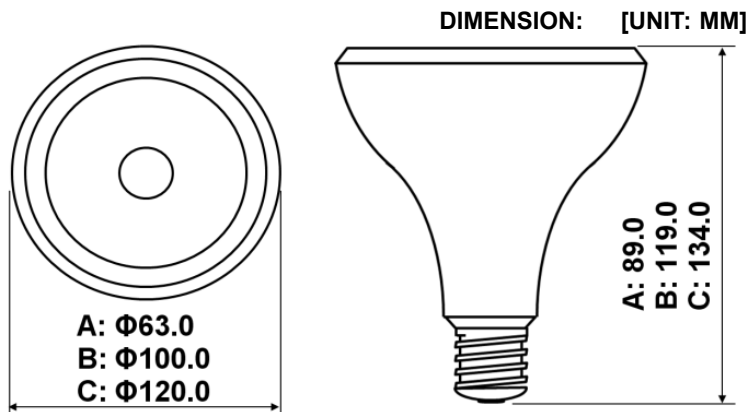
Suitable for Fixtures of E27, E26

## STANDARDS

Designed and Manufactured to Comply with CE/ROHS/GS  
 IP20 Protection

## OPTION

LED Color Temperature: CCT2700~6000K  
 Triac Dimming  
 Colorful&Blister Packages



MODEL	INPUT [VOLTAGE]	POWER [WATT]	LED TYPE	CCT [K]	LUMEN [LM]	FITMENT	DIMMABLE	POWER FACTOR	BEAM ANGLE
GTL1601A-7WDT-YW	AC120/230V 50/60Hz	7.0W	7W COB EPISTAR	2700K	420	E27 E26	YES	>0.7	25/36°
GTL1601A-7WDT-WW				3000K	435				
GTL1601A-7WDT-PW				5000K	490				
GTL1601B-12W-YW	AC120/230V 50/60Hz	12.0W	12W COB EPISTAR	2700K	760	E27 E26	OPTIONAL	>0.7	25/36°
GTL1601B-12W-WW				3000K	800				
GTL1601B-12W-PW				5000K	910				
GTL1601C-15W-YW	AC120/230V 50/60Hz	15.0W	15W COB EPISTAR	2700K	950	E27 E26	OPTIONAL	>0.7	25/36°
GTL1601C-15W-WW				3000K	1000				
GTL1601C-15W-PW				5000K	1140				

## NOTE:

All parameters are measured at 25°C ambient temperature, 35% humidity experimental environment

Tolerances of power and luminous flux are ±10%, tolerance of color rendering index is ±5.

# LED TUBE T8

# ALUMINUM+PC



**GREEN**



### FEATURES

Ideal Retrofit and Replacement of Fluorescent T8  
 Mercury Free, No UV No Radiation  
 Uniformed Design  
 Color Rendering Index: >80  
 High Lumen Efficiency Up to 100lm/W  
 Long Lifespan Design: >35,000hours  
 Optional Rotatable±90° offer Exact Illumination

### MATERIALS & FINISH

SMD3014 LED-Source  
 Isolated Constant-current Driver  
 Aluminum Heat Sink  
 Non-glared Milky PC Diffuser

### INSTALLATION

Suitable for Fixtures of G13 Fitment

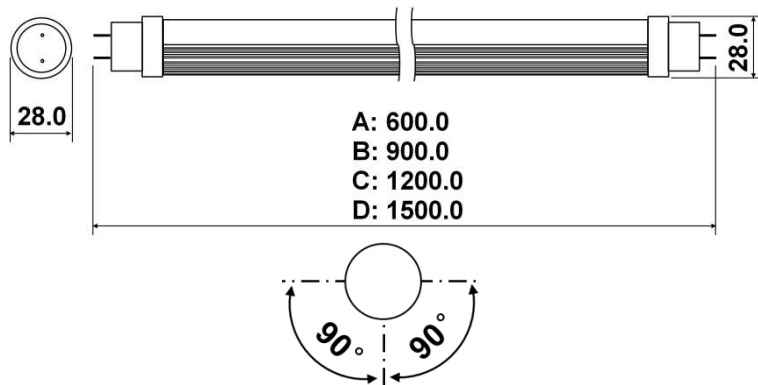
### STANDARDS

Designed and Manufactured to Comply with CE/ROHS/GS  
 IP20 Protection

### OPTION

LED Color Temperature: CCT2700~6000K  
**Rotatable Version**  
**Colorful&Blister Packages**

**DIMENSION: [UNIT: MM]**



MODEL	INPUT VOLTAGE	POWER WATT	LED TYPE	CCT K	LUMEN LM	FITMENT	DIMMABLE	POWER FACTOR	BEAM ANGLE
GTL3111A-10W-WW	AC100-240V 50/60Hz	10.0W	72x0.2W SMD3014	3000K	1000	G13	NON	>0.9	120°
GTL3111A-10W-NW				4000K	1030				
GTL3111A-10W-CW				6000K	1080				
GTL3111B-15W-WW	AC100-240V 50/60Hz	15.0W	108x0.2W SMD3014	3000K	1500	G13	NON	>0.9	120°
GTL3111B-15W-NW				4200K	1550				
GTL3111B-15W-CW				6000K	1600				
GTL3111C-20W-WW	AC100-240V 50/60Hz	21.0W	144x0.2W SMD2835	3000K	2000	G13	NON	>0.9	120°
GTL3111C-20W-NW				4200K	2100				
GTL3111C-20W-CW				6000K	2200				
GTL3111D-25W-WW	AC100-240V 50/60Hz	25.0W	196x0.2W SMD2835	3000K	2500	G13	NON	>0.9	120°
GTL3111D-25W-NW				4200K	2600				
GTL3111D-25W-CW				6000K	2700				

**NOTE:**

All parameters are measured at 25°C ambient temperature, 35% humidity experimental environment

Tolerances of power and luminous flux are ±10%, tolerance of color rendering index is ±5.

**FEATURES**

Ideal Retrofit and Replacement of Fluorescent T8  
 Mercury Free, No UV No Radiation  
 Uniformed Design  
 Color Rendering Index: > 80  
 High Lumen Efficiency Up to 100lm/W  
 Long Lifespan Design: > 35,000hours  
 Optional Rotatable±90° offer Exact Illumination


**MATERIALS & FINISH**

SMD2835 LED-Source  
 Constant-current Driver  
 Aluminum Heat Sink  
 Non-glared Milky PC Diffuser

**SENSOR & EMERGENCY**

Microwave Motion Sensor  
 Sensing Range: 6~8Meters  
 Delay Time: 30seconds  
 Emergency: Ni-MH Battery  
 Working Time: 3W 90Mninitues

**INSTALLATION**

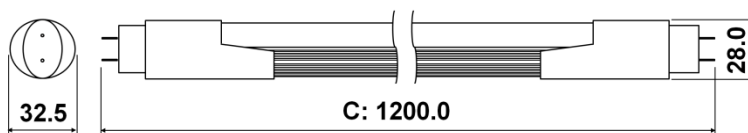
Suitable for Fixtures of G13 Fitment

**STANDARDS**

Designed and Manufactured to Comply with  
 CE/ROHS/GS  
 IP20 Protection

**OPTION**

LED Color Temperature: CCT2700~6000K  
 Colorful&Blister Packages


**DIMENSION: [UNIT: MM]**


MODEL	INPUT [VOLTAGE]	POWER [WATT]	LED TYPE	CCT [K]	LUMEN [LM]	FITMENT	DIMMABLE	POWER FACTOR	BEAM ANGLE
GTL3141C-18WSM-WW	AC100-240V 50/60Hz	18.0W	96x0.2W SMD2835	3000K	1600	G13	STANDBY: 2W SENSOR: 18W	> 0.85	120°
GTL3141C-18WSM-NW				4000K	1650				
GTL3141C-18WSM-CW				6000K	1700				
GTL3141C-18WSMBE-WW	AC100-240V 50/60Hz	18.0W	96x0.2W SMD2835	3000K	1600	G13	STANDBY: 2W SENSOR: 18W EMERGENCY: 3W	> 0.85	120°
GTL3141C-18WSMBE-NW				4000K	1650				
GTL3141C-18WSMBE-CW				6000K	1700				

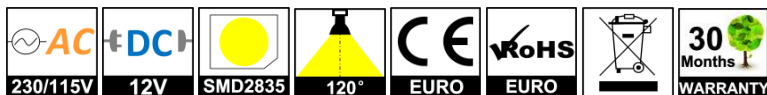
**NOTE:**

All parameters are measured at 25°C ambient temperature, 35% humidity experimental environment

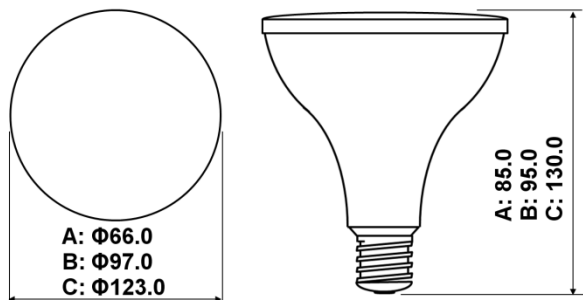
Tolerances of power and luminous flux are ±10%, tolerance of color rendering index is ±5.

# LED PAR FLOOD LIGHT

# ALUMINUM+GLASS



**DIMENSION: [UNIT: MM]**



### FEATURES

Ideal Retrofit and Replacement of Halogen MR16  
 Mercury Free, No UV No Radiation  
 Approved Uniformed Design  
 High Lumen Efficiency  
 Color Rendering Index >80  
 Long Lifespan >25,000hours

### MATERIALS & FINISH

SMD2835 LED-Source [LM80 Test]  
 Specified Compact RC Driver  
 Pure Aluminum Cup: Sand Silver Finish  
 Dotted Glass Diffuser

### INSTALLATION

Suitable for Fixtures of E27/B22

### STANDARDS

Designed and Manufactured to Comply with CE/ROHS  
 IP20 Protection

### OPTION

LED Color Temperature: CCT2700~6000K  
**Colorful&Blister** Packages



MODEL	INPUT [VOLTAGE]	POWER [WATT]	LED TYPE	CCT [K]	LUMEN [LM]	FITMENT	DIMMABLE	POWER FACTOR	BEAM ANGLE
GTL1611A-6W-WW	AC120/230V 50/60Hz [AC/DC12V]	6.0W	36x0.2W SMD2835	3000K	480	E27 B22	NON	>0.5	120°
GTL1611A-6W-NW				4000K	500				
GTL1611A-6W-CW				6000K	530				
GTL1611B-8W-WW	AC120/230V 50/60Hz [AC/DC12V]	8.0W	48x0.2W SMD2835	3000K	650	E27 B22	NON	>0.5	120°
GTL1611B-8W-NW				4000K	680				
GTL1611B-8W-CW				6000K	730				
GTL1611C-10W-WW	AC120/230V 50/60Hz [AC/DC12V]	10.0W	72x0.2W SMD3528	3000K	800	E27 B22	NON	>0.5	120°
GTL1611C-10W-NW				4000K	850				
GTL1611C-10W-CW				6000K	900				

**NOTE:**

All parameters are measured at 25°C ambient temperature, 35% humidity experimental environment  
 Tolerances of power and luminous flux are ±10%, tolerance of color rendering index is ±5.



# PC+PC+ALUMINUM

# [REMOTE DIMMING] A65 LED BULB

### FEATURES

Ideal Replacement for Incandescent Lamps  
 Mercury Free, No UV No Radiation  
 Elegance Unique Uniform Design  
 Color Rendering Index: > 80  
 Long Lifespan Design: > 25,000hours



### MATERIALS / FINISH

SMD LED-Source  
 Approved Compact RC Driver  
 Built-in Die-casted Aluminum Heat Sink  
 Thermal Opal Polycarbonate Base  
 Thermal Opal Polycarbonate Diffuser

### FUNCTION

1~4 Zone Setting as Required  
 2.4GHz RF Dimming Controller (50m)  
 1~4 Zone Full Remote Dimming Control  
 Free Combination Multiple-scene

### INSTALLATION

Suitable for Fixtures of E27, B22

### STANDARDS

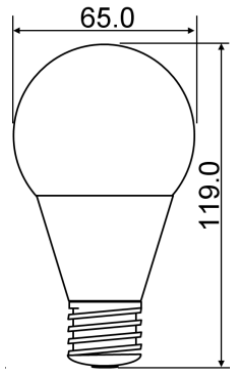
Designed and Manufactured to Comply with CE/ROHS  
 IP20 Protection

### OPTION

LED Color Temperature: CCT2700~6000K  
 Wi-Fi to 2.4Ghz Gateway



DIMENSION: [UNIT: MM]



MODEL	INPUT [VOLTAGE]	POWER [WATT]	LED TYPE	CCT [K]	LUMEN [LM]	FITMENT	DIMMABLE	POWER FACTOR	BEAM ANGLE
GTL8632D-6WDPT-WC	AC100-240V 50/60Hz	7.0W	6x1W 3000K 6x1W 6000K	FROM 3000K TO 6000K	480	E27 B22	YES	>0.4	270°
GTL8632D-6WDP-RGBW	AC100-240V 50/60Hz	6.0W	5x1W 3000K 5x1W 6000K 4xRGB SMD5050	FULL COLOR	400	E27 B22	YES	>0.4	270°

### NOTE:

All parameters are measured at 25°C ambient temperature, 35% humidity experimental environment.  
 Tolerances of power and luminous flux are ±10%, tolerance of color rendering index is ±5.

**LED LAMP 2015Y [ V01 ]**



**GTE GROUP LTD**

**NINGBO GUBO ELECTRIC CO., LTD**

**A: XIAYING INDUSTRIAL PARK, YINGZHOU, NINGBO, CHINA**

**T: 86 574 87065609 | F: 86 574 88163493**

**E: SALES@GTEGROUPLTD.COM**

**W: WWW.GTEGROUPLTD.COM**