

DIGITAL LIQUID FILLING MACHINE

FEATURES

- The Digital-Fill use a gear pump concept as a metering device to fill correct amounts of gel or liquids into containers
- The volume, speed, the time between of filling can be designed
- Each filling can be fast first and slow later, bubble can be eliminated
- Human interface is achieved using a combined keypad and LCD display configuration
- 20 Sizes Data can be stored
- Pump unit easily dismantled for cleaning
- Can be extend to use in conveyor online

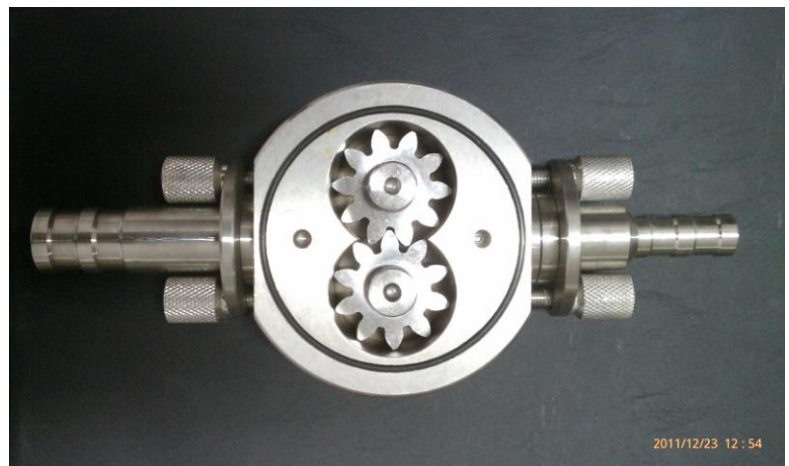
APPLICATION

- Used in the pharmaceutical industry, food industry, cosmetics, agriculture and other industries, such as fruit and vegetable drinks, soy milk, acetone, glutaraldehyde, shampoo, etc.

SPECIFICATION

Model No.	DLF-100
Pump Type	Gear Pump
Volume	10ml-11000ml
Filling Speed	100ml 24P/min.; 300ml 16P/min.; 1000ml 10P/min.
Accuracy	±0.5-1.0%
Power Source	AC220V; 50Hz; 1P; 400W
Dimension	310x480x310mm
Net Weight	18kg

Note: Digital Liquid Filling Machine can be custom made, Stepping motor and photoelectric counting controlled liquid filling machine is suitable for small doses and high-precision liquid filling. Minimum Filling Volume $2ml \pm 0.1ml$



ACCESSORIES

- **Standard Filling Mouth:** Diameter 8mm; 6mm; 4mm; Note: Suitable for water and general liquid

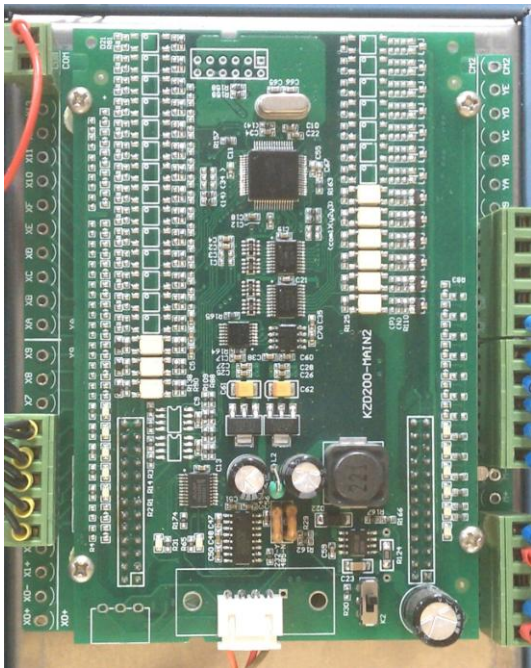


- **Pneumatic Filling Mouth:** Diameter 12mm; 19mm; Note: Suitable for oil and easily penetrate liquid

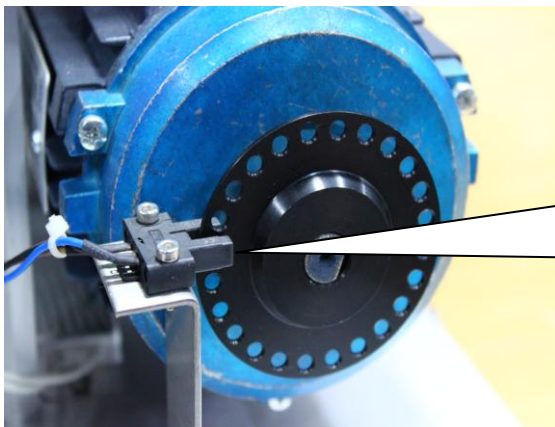


COMPARISON

Pump Type	Gear Pump	Piston Pump
Filling Volume	Large filling range, Max. 11L can adapt to customers multi-specification products filling.	Constant the filling volume, different product specification filling need to purchase multiple machines
Dimensions	Small and exquisite volume, it can be moved only by one hand	Bulk Equipment, the volume of equipment filling over 500ml is 2-5 times of this machine, need more people to move, occupy large area
Filling Control	Microcomputer control, high precision, parameter setting and operation status monitoring at a glance, conveniently	No precise control
Operation	Native and automatic “Learn” setting function corresponding to different filling volume, one key set to avoid complicated set with artificial experience	Without “LEARN” function, need worker to replace and adjustment manually. Cumbersome and time-consuming



Microcomputer control, nine grades menu can realize setting and storing a variety of data, operation simply.

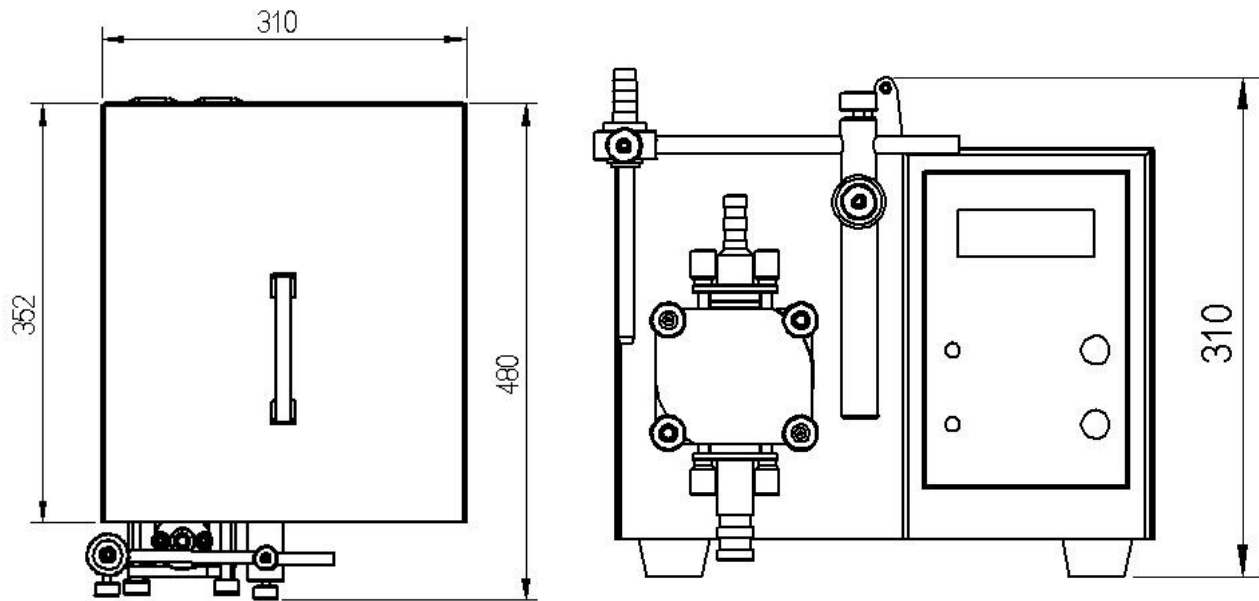


Photoelectric sensor count, control the filling accuracy

APPLICATION

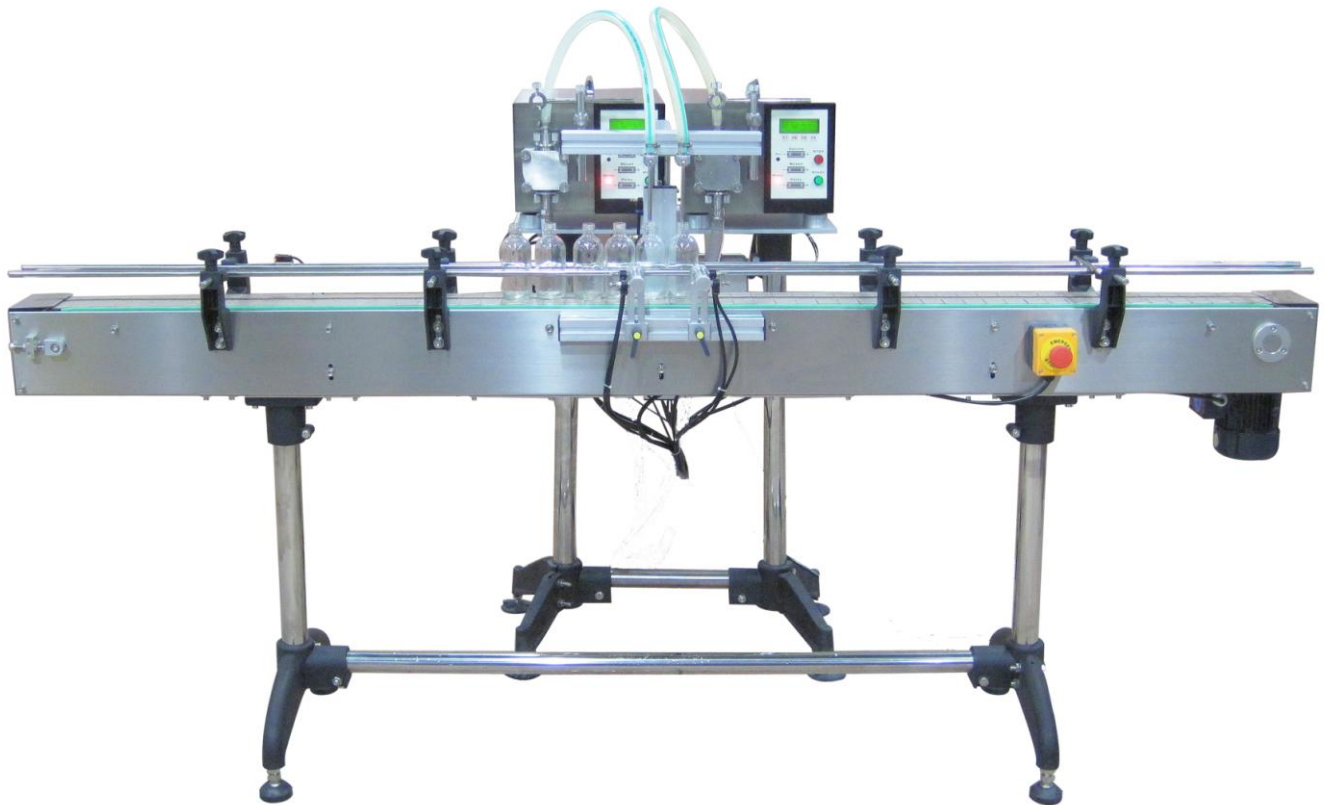
Used in the pharmaceutical industry, food industry, cosmetics, agriculture and other industries, such as fruit and vegetable drinks, soy milk, acetone, glutaraldehyde, shampoo etc.

DIMENSIONS



POPULARIZATION

It can achieve simultaneously promote the nozzle during the filling when using a conveyor belt-line, effectively to reduce the bubbles (The start time of enhance and the speed both can be adjusted)



DLF-100-2H



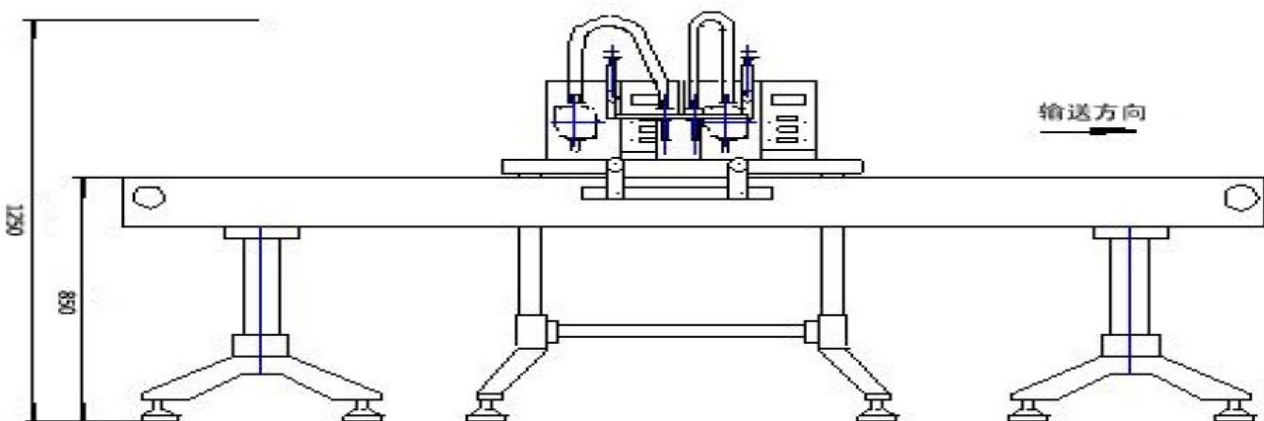
DLF-100-4H

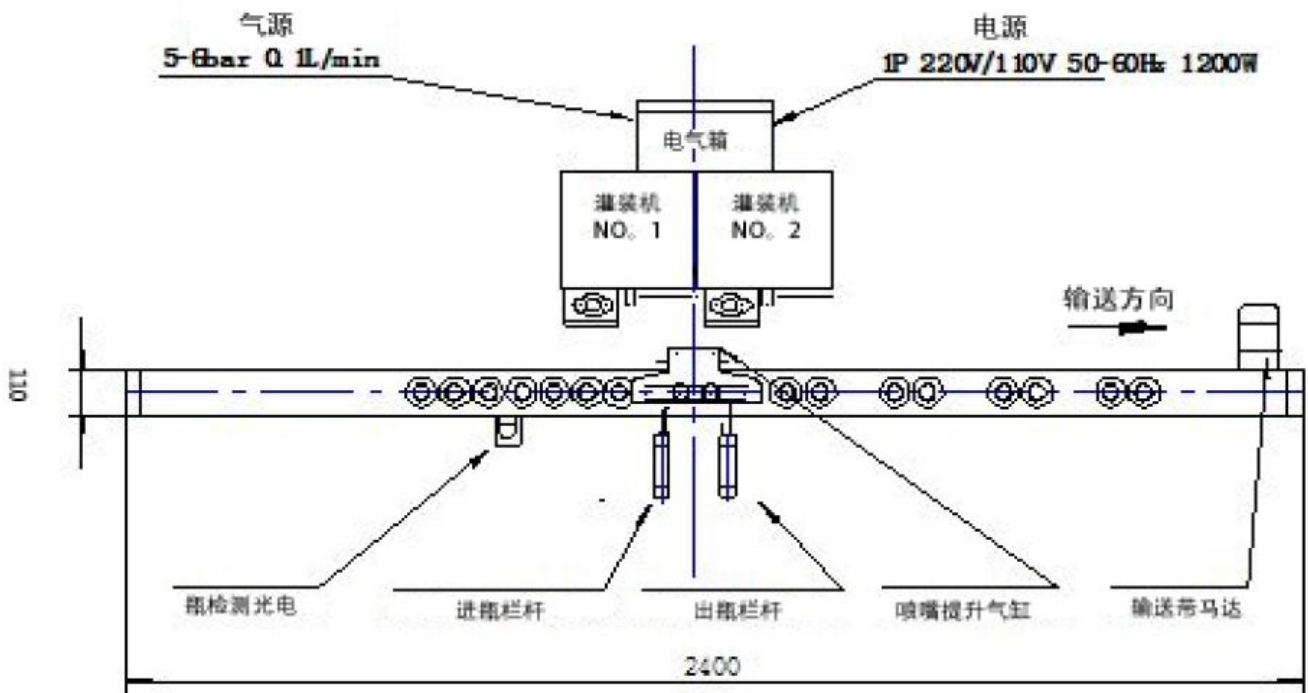
SPECIFICATION

Model No.	DLF-100-2H	DLF-100-4H
Pump Type	Gear Pump	Gear Pump
Volume	10ml-11000ml	10ml-11000ml
Filling Speed	100ml 40P/min.; 300ml 30P/min.; 1000ml 18P/min.	100ml 60P/min.; 300ml 45P/min.; 1000ml 26P/min.
Accuracy	±0.5-1.0%	±0.5-1.0%
Belt Width	80mm/200mm	80mm/200mm
Air Source	5-6kg/cm ² ; 100L/min.	5-6kg/cm ² ; 100L/min.
Power Source	AC220V; 50Hz; 1P; 1200W	AC220V; 50Hz; 1P; 1600W
Dimension	2400x800x1300mm	2400x800x1300mm
Net Weight	120kg	160kg

Note: Digital Liquid Filling Machine can achieve simultaneously promote the nozzle during the filling period when using a belt conveyor, effectively to reduce the bubbles. (The start time of enhance and the speed both can be adjusted)

DIMENSIONS





DLF-100-2H

SCREW CAPPING MACHINE

FEATURES

- Steady and reliably quality of screw capping, easy adjustment and changer-over, ideal for many specifications and production of small batches
- Automatic induct container for screw capping, operate easily
- Automatically disconnect the air compression supply in non-working state, effectively preventing by misoperation
- Torsion protection function can maintain a constant torque during the screw capping, leave the cap damaged from torque impact
- Compactly ended secondary screw capping features design can avoid the same container multiple screw cap, protection caps complete effective

ACCESSORIES

- Small Bottle Cap Size: Diameter 10-20mm
- Big Bottle Cap Size: Diameter 20-60mm

SPECIFICATION

- Model No.: SCM-100
- Max. Bottle Size: Height 300mm
- Max. Bottle Diameter: 100mm
- Max. Cap Size: Diameter 60mm
- Air Source: 0.2-0.6Mpa
- Torque: 6kgf/cm²
- Torque Control: 20 grade control
- Dimension: 380x170x500mm

- Net Weight: 16kg
- Power Source: AC220V; 50Hz; 1P

