


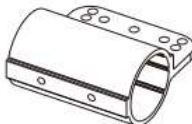
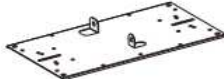





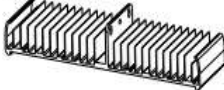


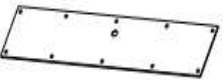




Streetlamp-150w
路灯150w

www.starlight-led.com

物料清单 Bill Of Materials

- | | | |
|-----|---|---|
| 1、 |  | 路灯上壳×1
Upper Housing of Street Light * 1 |
| 2、 |  | 路灯下壳×1
Lower Housing of Street Light * 1 |
| 3、 |  | 路灯上壳盖×1
Cover of Lower Housing * 1 |
| 4、 |  | 路灯灯臂×1
Arm of Street Light * 1 |
| 5、 |  | 电源固定板×1
Board for Retaining Driver * 1 |
| 6、 |  | 线盒上盖×1
Upper Cover of Cable Case * 1 |
| 7、 |  | 线盒密封圈×1
Waterproof Ring of Cable Case * 1 |
| 8、 |  | 输入线密封圈×1
Waterproof Ring of Input Cable * 1 |
| 9、 |  | 输出线密封圈×5
Waterproof Ring of Output Cable * 5 |
| 10、 |  | 模组上盖×5
Upper Cover of Moulds * 5 |
| 11、 |  | 散热器×5
Heatsink * 5 |
| 12、 |  | 透镜×5
Optic * 5 |
| 13、 |  | 透镜密封圈×5
Waterproof Ring of Optic * 5 |
| 14、 |  | 仿流明铝基板×5
Aluminum Plate for Lumiled Chip * 5 |



Streetlamp-150w
路灯150w

www.starlight-led.com

物料清单 Bill Of Materials

15、		Ld150灯杆×1 Backbone of LD150 * 1
16、		路灯灯前壳×1 Front Housing of LED Light * 1
17、		铝基板电源线密封圈×5 Waterproof Ring for Power Cable of Aluminum * 5
18、		铝基板电源线密封圈压块×5 Waterproof Gasket for Power Cable of Aluminum * 5
19、		M4×16机械牙螺丝×10 M4*16 Mechanical Teeth Screw * 10
20、		M4×10机械牙螺丝×9 M4*10 Mechanical Teeth Screw * 9
21、		M4机械牙螺丝C型弹簧垫×19 C Type Spring Pad of M4 Mechanical Teeth Screw * 19
22、		M4机械牙螺丝O型钢垫×19 O Type Pad of M4 Mechanical Teeth Screw * 19
23、		M4机械牙螺丝O型快发纸垫×8 O Type Paper Pad of M4 Mechanical Teeth Screw * 8
24、		M6×16内六角机械牙螺丝×14 M6*16 Mechanical Teeth Socket Head Screw * 14
25、		M6×12内六角机械牙螺丝×2 M6*12 Mechanical Teeth Socket Head Screw * 2
26、		M6机械牙螺丝C型弹簧垫×11 C Type Spring Pad of M6 Mechanical Teeth Screw * 11
27、		M6机械牙螺丝O型钢垫×16 O Type Pad of M6 Mechanical Teeth Screw * 16



Streetlamp-150w
路灯150w

www.starlight-led.com

物料清单 Bill Of Materials

28、		M6机械牙螺丝O型防滑钢垫×5 O Type Antiskid Pad of M6 Mechanical Teeth Screw * 5
29、		M6机械牙螺丝O型快发纸垫×4 O Type Paper Pad of M4 Mechanical Teeth Screw * 4
30、		φ4×15自攻牙螺丝×4 4*15 Snap closure tapping * 4
31、		M4机械牙螺母×4 Mechanical Tooth Nut * 4
32、		φ3×11自攻牙螺丝×10 3*11 Snap closure tapping * 10
33、		φ3×8自攻牙螺丝×98 3*8 Snap closure tapping * 98
34、		φ3×3.5C头自攻牙螺丝×50 3*3.5 C Head Snap closure tapping * 50
35、		M8×28机械牙螺丝×3 M8*28 Mechanical Teeth Screw * 3
36、		M8机械牙螺丝C型弹簧垫×3 C Type Spring Pad of M8 Mechanical Teeth Screw * 3
37、		M8机械牙螺丝O型钢垫×3 O Type Pad of M8 Mechanical Teeth Screw * 3
38、		M8×21内六角机械牙螺柱×2 M8*12 Mechanical Teeth Socket Head Screw * 2
39、		M8机械牙六角螺母×5 M8 Mechanical Tooth Hexagonal Nut * 5

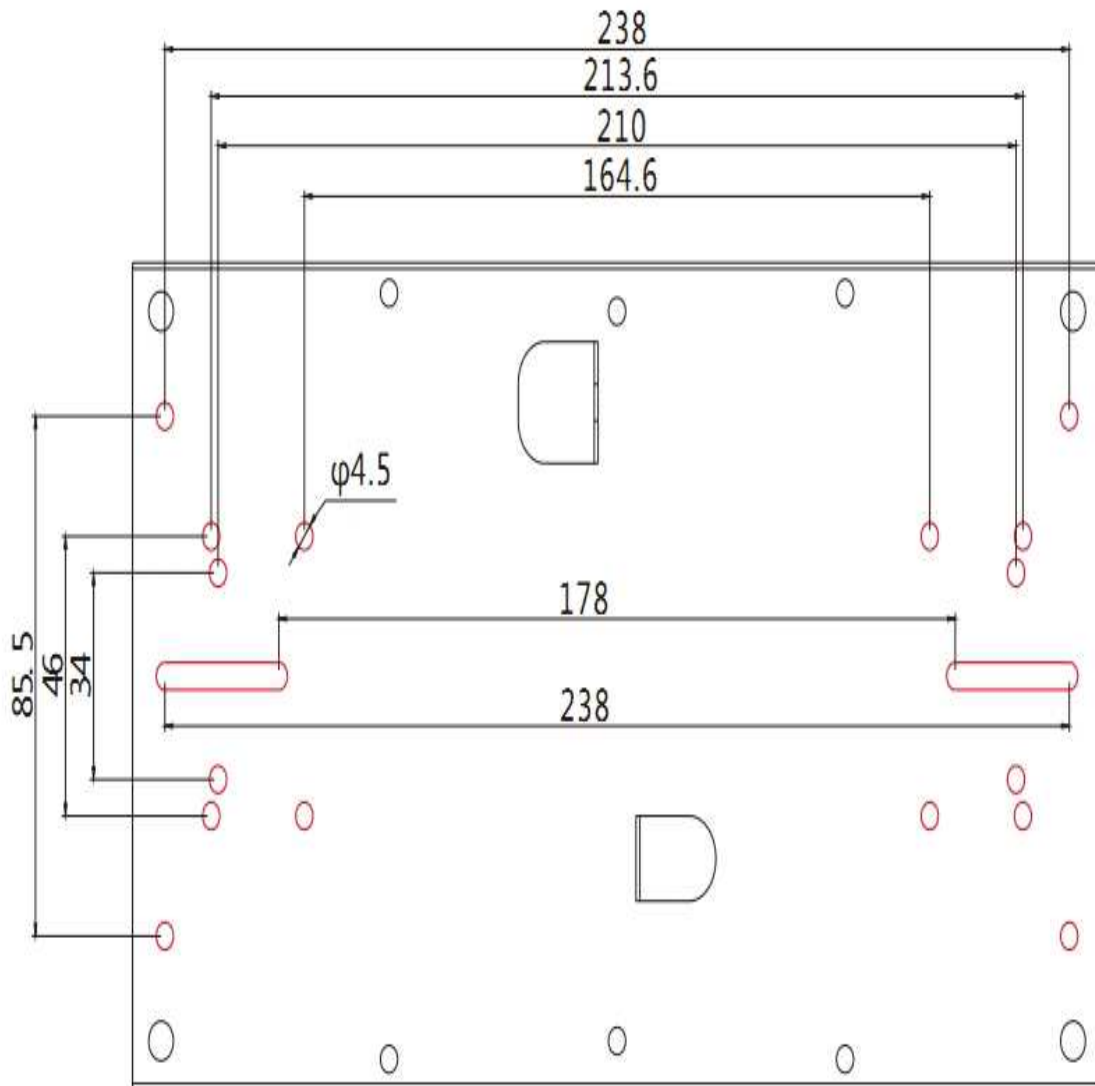


Streetlamp-150w
路灯150w

www.starlight-led.com

电源安装孔位 Hole Site of Assembling Driver

标注单位 mm



电源高度 $\leq 45\text{mm}$
Power Height:

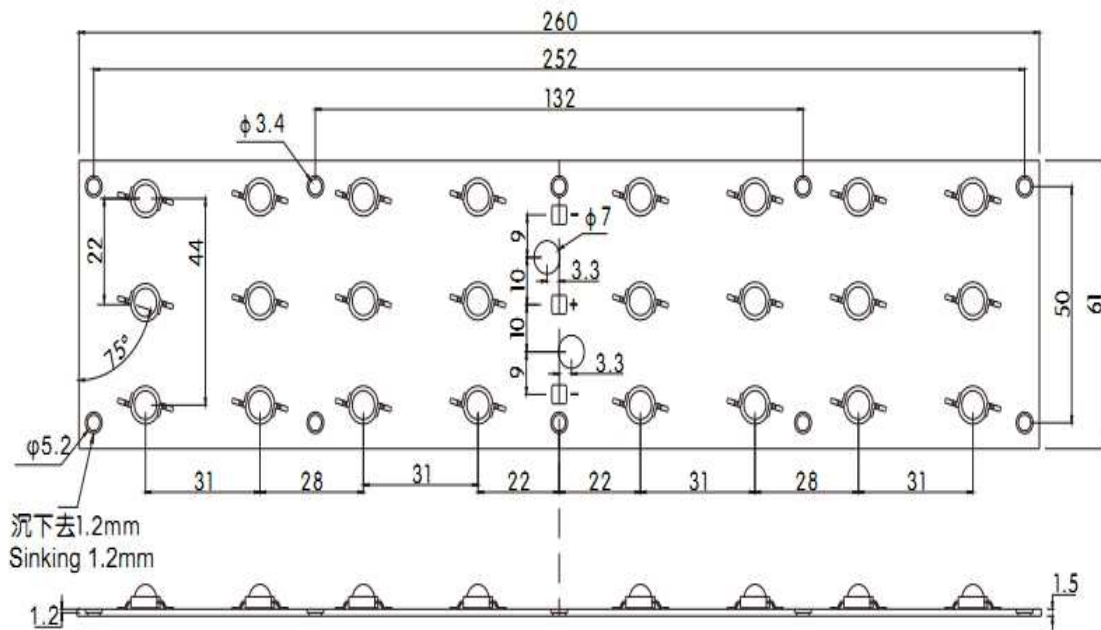


Streetlamp-150w
路灯150w

www.starlight-led.com

铝基板 Aluminum Plate

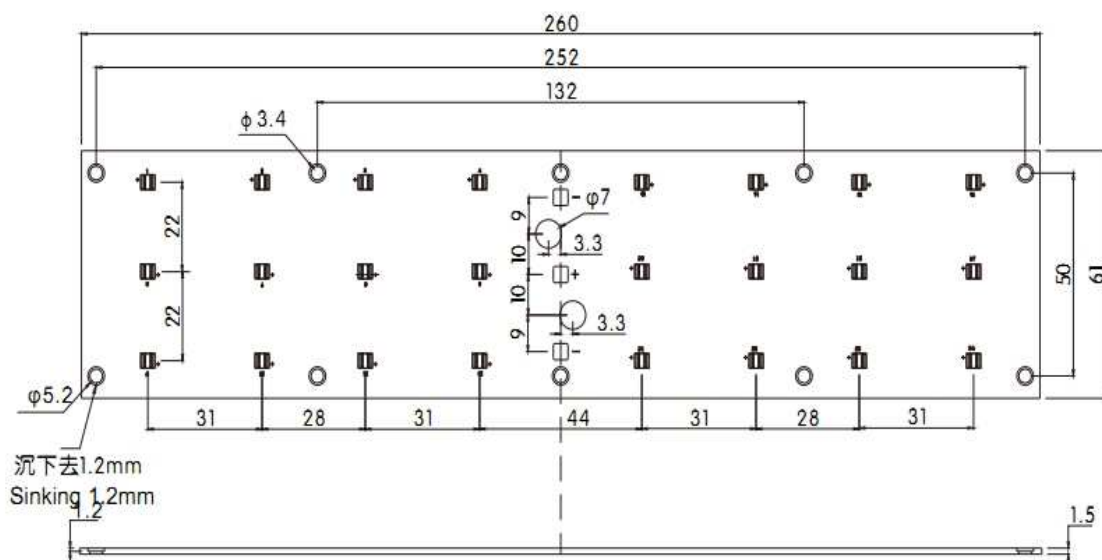
标注单位 mm



沉下去1.2mm
Sinking 1.2mm

仿流明灯珠铝基板图

Aluminum Plate for Lumiled LED Chip



沉下去1.2mm
Sinking 1.2mm

CREE灯珠铝基板图

Aluminum Plate for CREE LED Chip



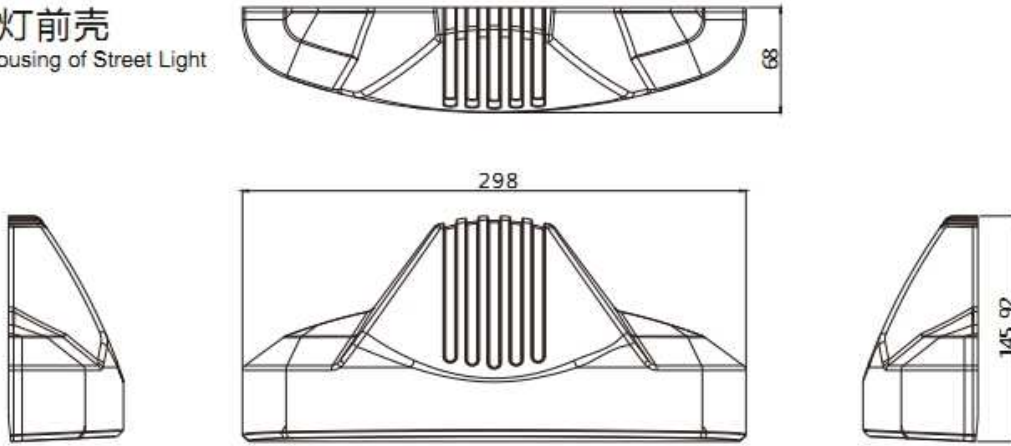
Streetlamp-150w
路灯150w

www.starlight-led.com

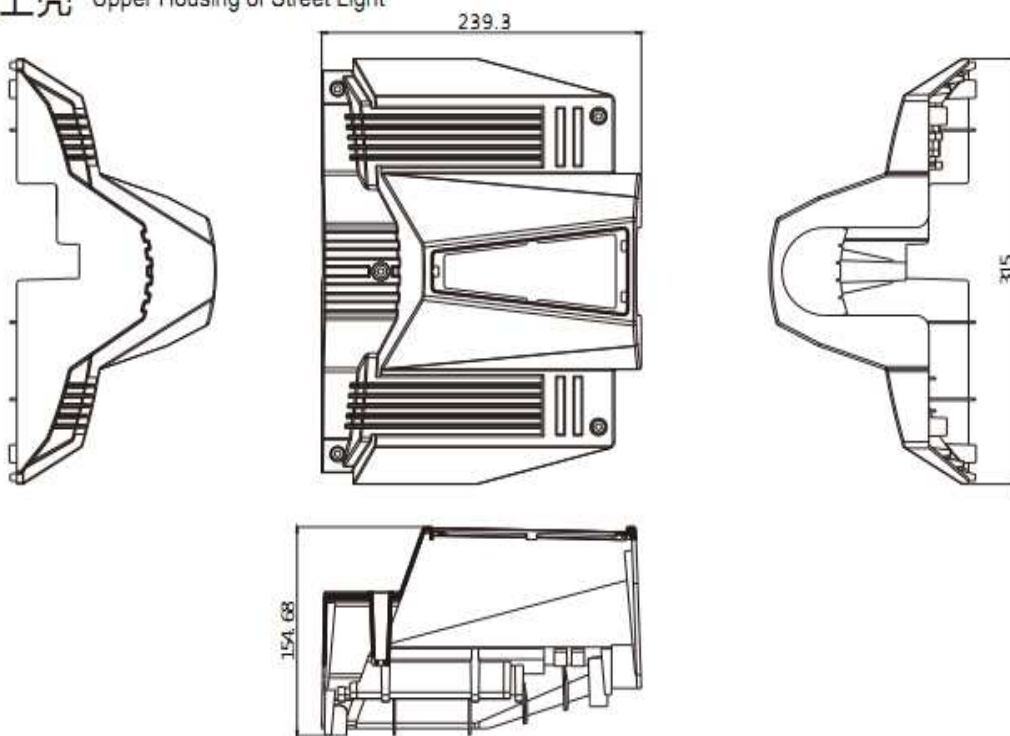
塑胶配件 Plastic Parts

标注单位 mm

路灯灯前壳
Front Housing of Street Light



路灯上壳 Upper Housing of Street Light



产品材质 ASA
Product Materials
防火等级 V0~V1
Fireproofing Grade
外观颜色 磨砂表面、铁灰色
Surface Color: S-NA, Iron Gray



Streetlamp-150w
路灯150w

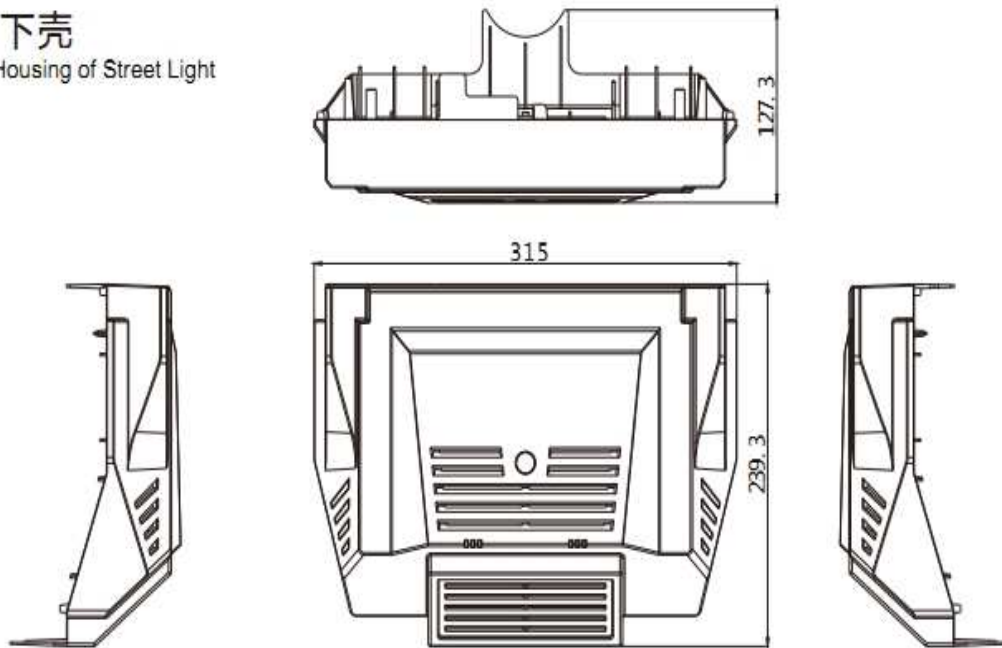
www.starlight-led.com

塑胶配件 Plastic Parts

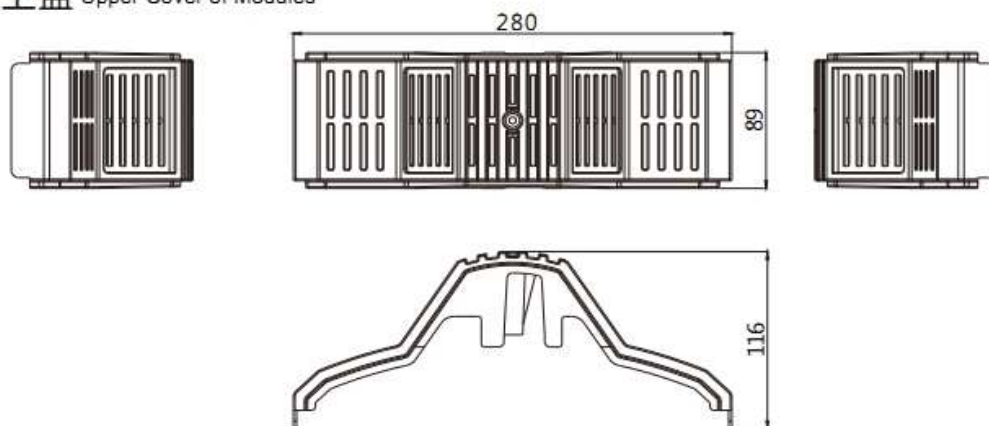
标注单位 mm

路灯下壳

Lower Housing of Street Light



模组上盖 Upper Cover of Modules



产品材质 ASA
Product Materials
防火等级 V0~V1
Fireproofing Grade
外观颜色 磨砂表面、铁灰色
Surface Color: S-NA, Iron Gray



Streetlamp-150w
路灯150w

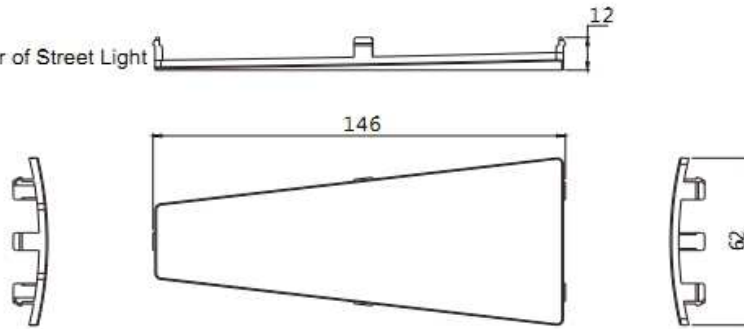
www.starlight-led.com

塑胶配件 Plastic Parts

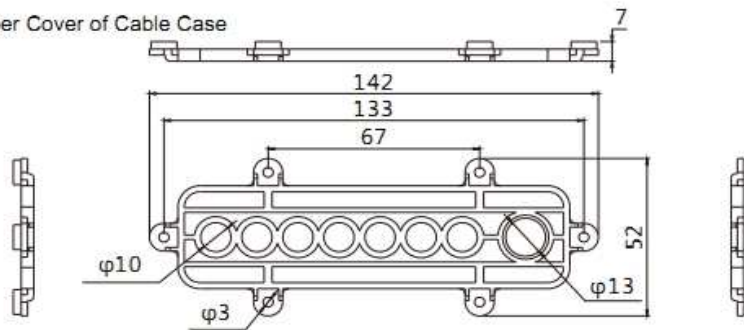
标注单位 mm

路灯上壳盖

Upper Housing Cover of Street Light

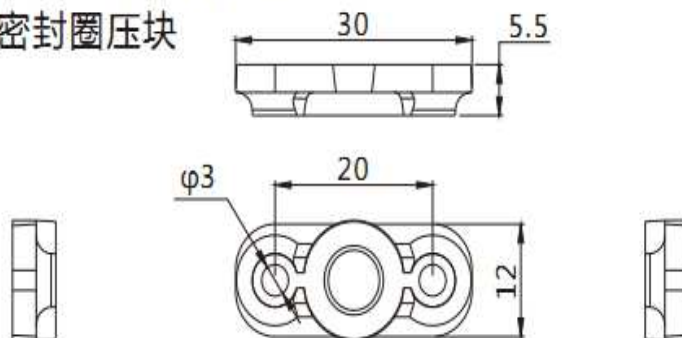


线盒上盖 Upper Cover of Cable Case



Waterproof Gasket for Power Cable of Aluminum Plate

铝基板电源线密封圈压块



产品材质 ASA
Product Materials
防火等级 V0~V1
Fireproofing Grade
外观颜色 磨砂表面、铁灰色
Surface Color: S-NA, Iron Gray

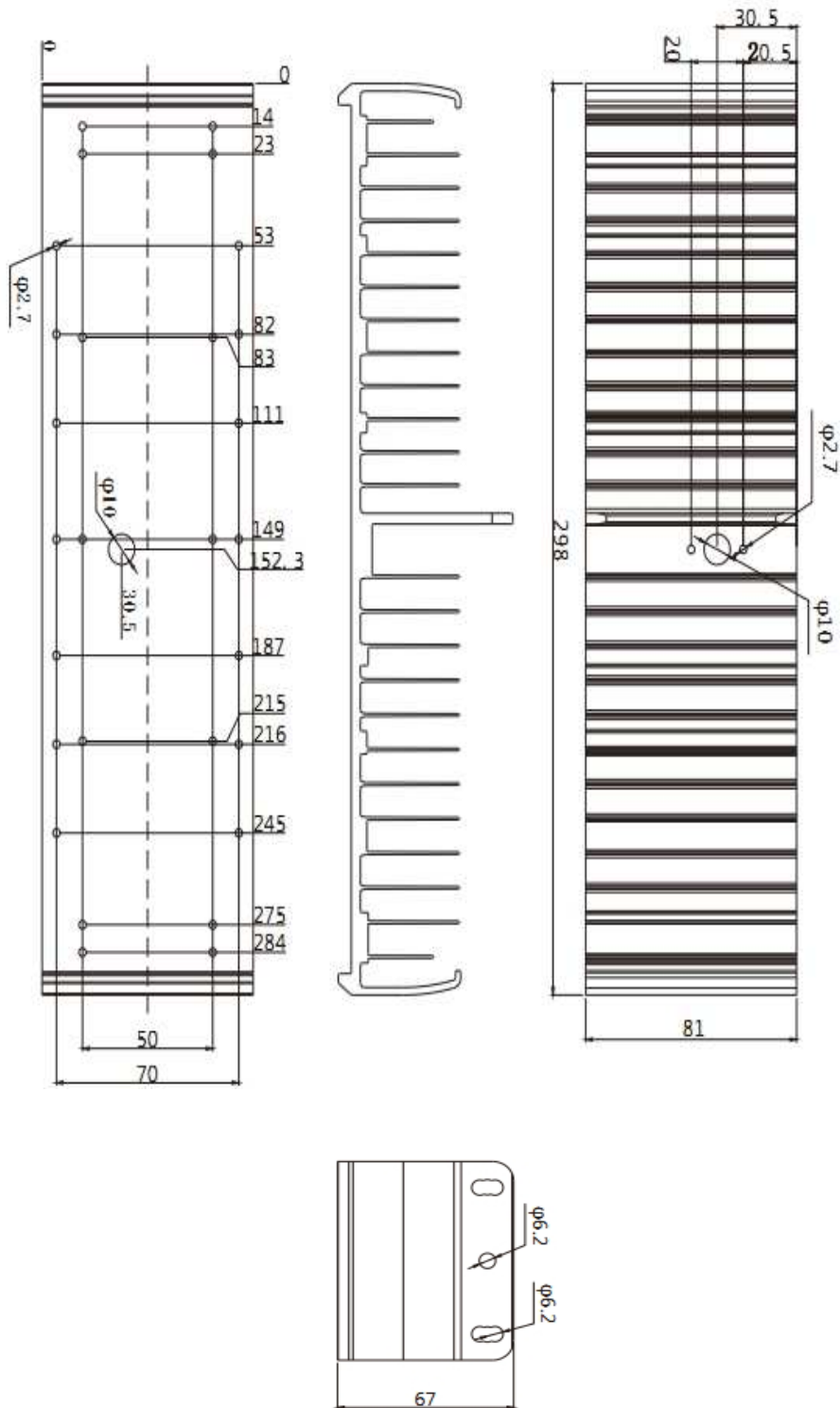


Streetlamp-150w
路灯150w

www.starlight-led.com

散热器 Heatsink

标注单位 mm





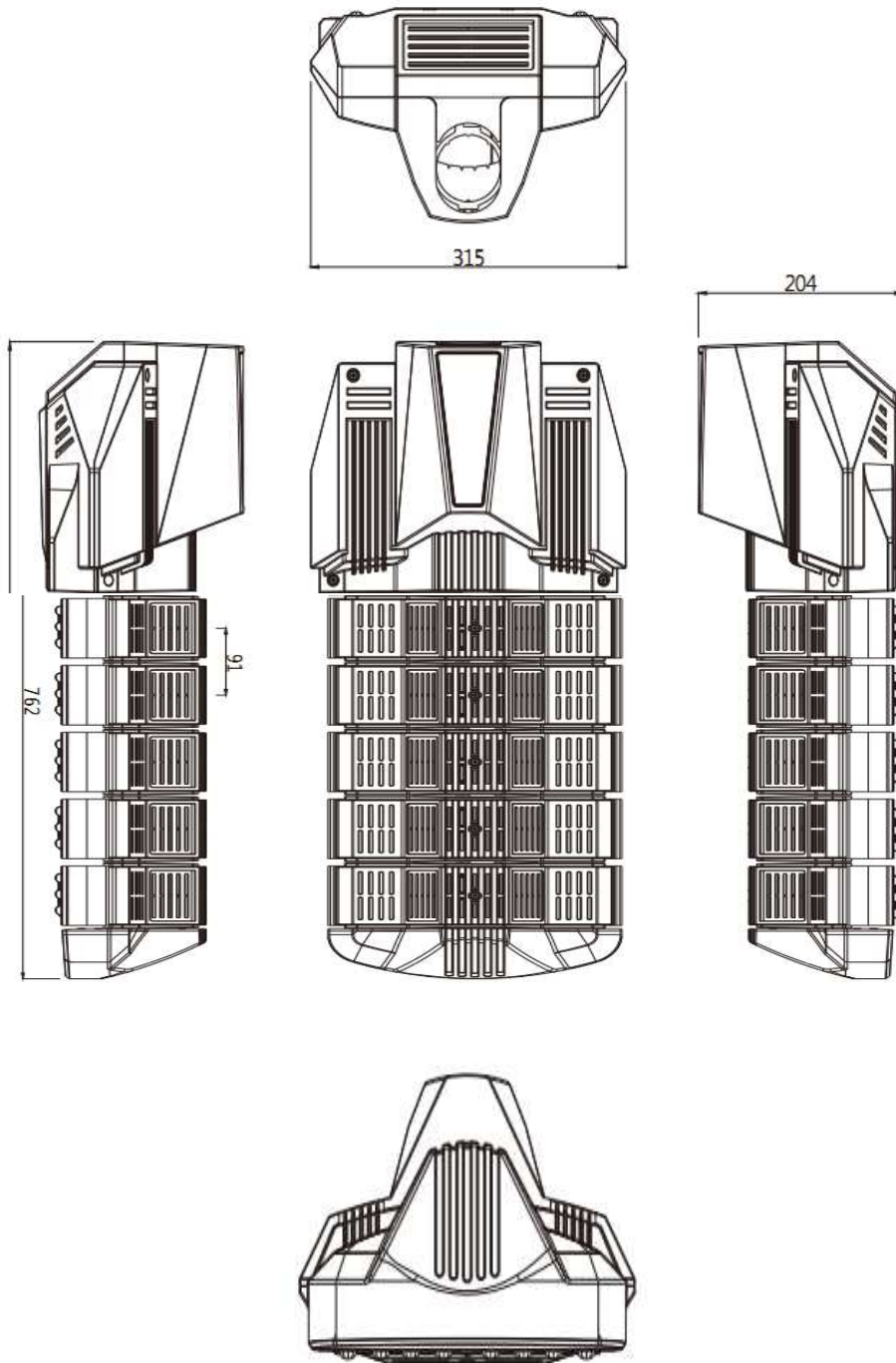
Streetlamp-150w
路灯150w

www.starlight-led.com

成品图 End Product Picture

标注单位 mm

注 产品单重6200g±5% 不含光源电源
Note: net weight 6200g±5% (without driver)

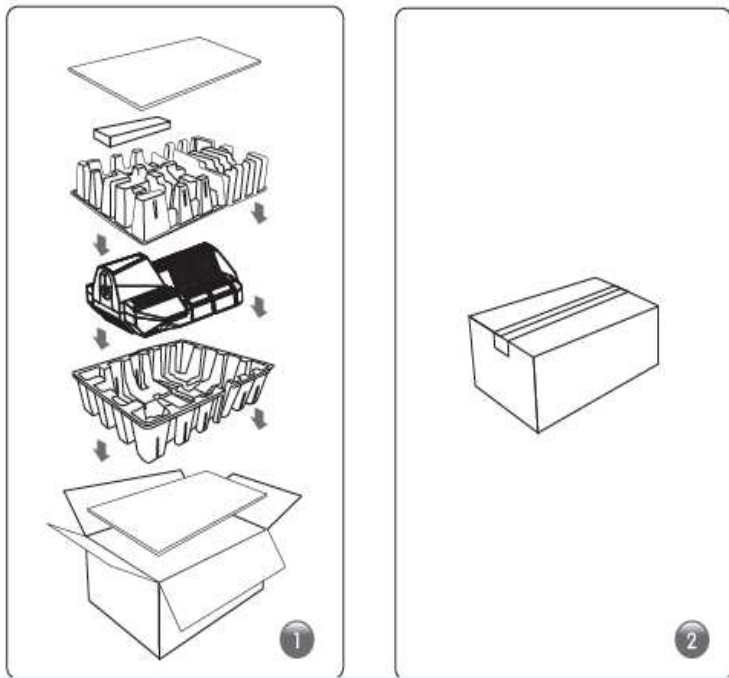




Streetlamp-150w
路灯150w

www.starlight-led.com

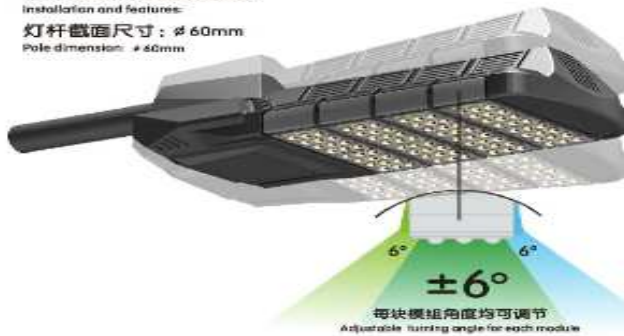
产品包装 Packing



Details 详细包装

1> Quantity 数量	1pcs streetlamp/Carton 每箱1个
2> Gross weight 毛重	10.74kg±5%
3> Dimension 包装箱尺寸	85cm*39cm*27.5cm

灯头安装及特点示意图:
Installation and features:
灯杆截面尺寸: $\varnothing 60\text{mm}$
Pole dimension: $\varnothing 60\text{mm}$



灯臂角度可调节
Arm adjustable turning angle

$\pm 6^\circ$

每块模组角度均可调节
Adjustable turning angle for each module

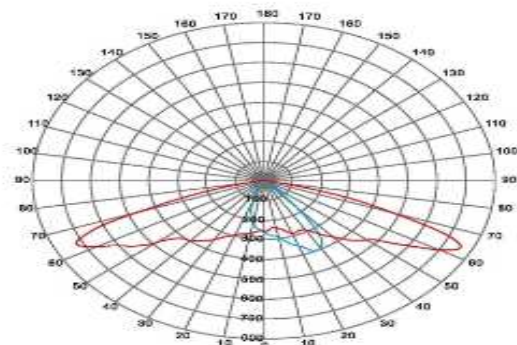


模组可单独拆卸更换 Module replacement

① 单个模组就可单独更换, 节约成本, 轻松方便安装
Each module can be replaced separately and easy for installation if it's cost efficiently

双调节角度转动功能 Dual adjustable turning function

① 每块模组角度均可调节 $\pm 6^\circ$
Adjustable turning angle for each module is $\pm 6^\circ$
② 灯臂角度可调节 $\pm 6^\circ$
Arm adjustable turning angle is $\pm 6^\circ$



路灯曲线图
illumination and angle curve