

Tough and Reliable
with Great Looks
at a Low Cost

Conventional Alarm Bell

● Model: ZC188-6,

Compatible with all conventional Fire alarm control panel

High Sound Level

Up to 95dB alarm sound

Easy Installation Bracket



General Description

The ZC188 Electric bell of notification appliances offers a wide range of Sound, for wall and ceiling applications, indoors and outdoors. They are designed to be used in 24 volt DC systems.

Features and Benefits

- Compatible with all the conventional fire alarm control panel
- High sound level up to 95dB
- Easy installation baracket included
- Steel material

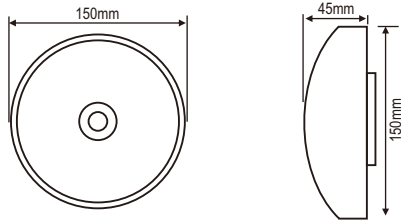


Conventional Alarm Bell

Installation Guidelines

All wiring must be installed in compliance with the National Electrical Code, applicable state and local codes, and any special requirements of the local Authority Having Jurisdiction.

Figure 1. Dimension of Alarm Bell(JL188-6: 6 inch):



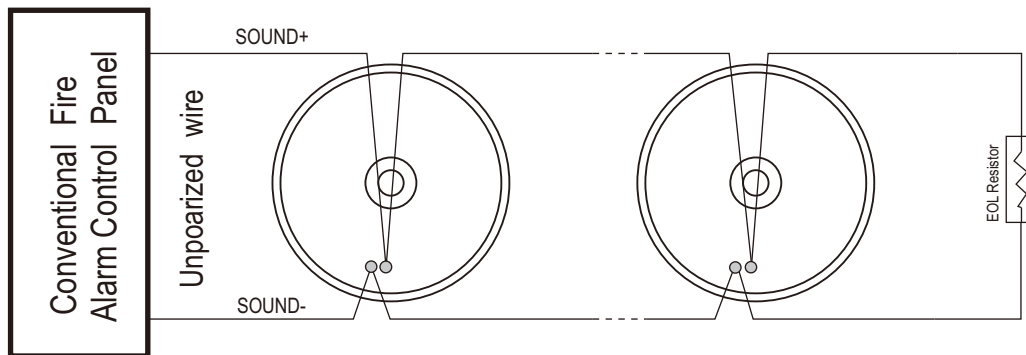
Technical Specifications

Dimensions: Diameter 150mm, Height 45mm(JL188-6)
 Weight: Net Weight 580g, Gross Weight 650g(JL188-6)
 Operating Temperature Range: -10°C to 50°C
 Operating Humidity Range: 10% to 93% Relative Humidity, Noncondensing

Electrical Ratings

System Voltage (nominal): 24 VDC (16V~ 30VDC)
 Alarm Current: 70 mA @ 24 VDC
 Alarm Sound Intensity: Minimum 95dB

Figure 3. Wiring diagram for the detector:



Ordering Information

Part Number	Pack Quantity	Dimensions (w x d x h millimetres)	Weight
ZC188-6	Individual (1 units)	150x150x45	675g

Distributed by:

