

Tough and Reliable
with Great Looks
at a Low Cost

Conventional Manual Call Point

● Model: ZC116

Compatible with all conventional Fire alarm control panel

Pull Down plate

Safe and easy to press in emergency condition and easy to restored after the alarm

Reset by Key

Can be reset by a use the key to open the case



General Description

The conventional manual call point designed for conventional fire alarm system for reporting fire or emergency condition by pull down the plate. The manual call point can be reset by a special key without breaking the glass.

Features and Benefits

- Compatible with all the conventional fire alarm control panel
- Can be reset by key without use a new glass
- 470 Ohm resistance
- Easy surface mounting Base included

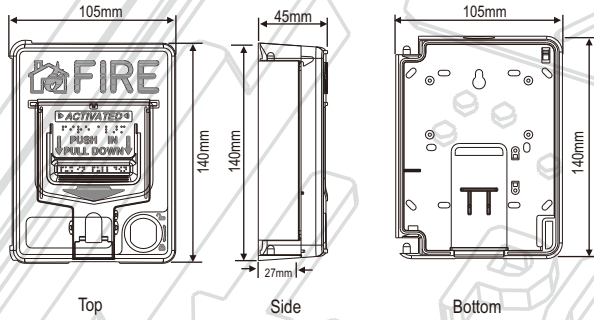


Conventional Manual Call Point

Installation Guidelines

All wiring must be installed in compliance with the National Electrical Code, applicable state and local codes, and any special requirements of the local Authority Having Jurisdiction.

Figure 1. Dimension of manual call point:



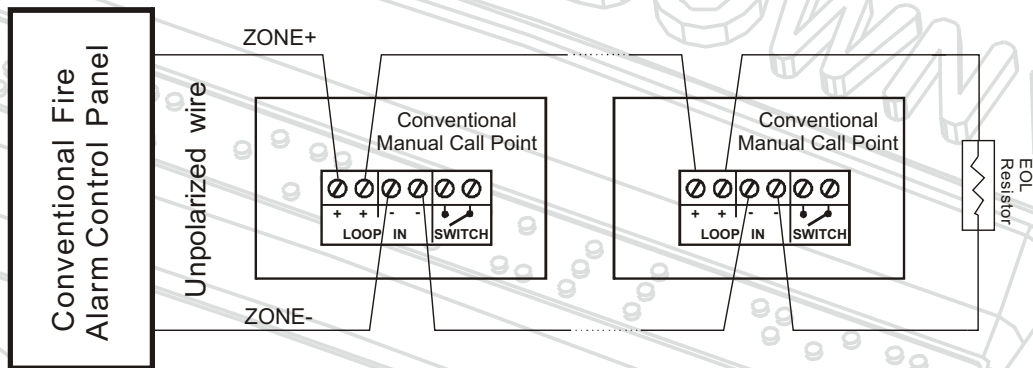
Technical Specifications

Dimension: 140mmX105mm
 Height: 45 mm
 Weight: 220 g
 Operating Temperature Range: -10°C to 50°C
 Operating Humidity Range: 10% to 93% Relative Humidity, Noncondensing
 Latching Alarm: Reset by momentary power interruption

Electrical Ratings

System Voltage (nominal): 24 VDC (9V~ 28VDC)
 Standby Current: 60 µA @ 24VDC
 Alarm Current: 10~30 mA @ 24VDC

Figure 2. Wiring diagram for the manual call point:



Ordering Information

Part Number	Pack Quantity	Dimensions (w x d x h millimetres)	Weight
Zc116	Individual (1 units)	140x105x45	220g

Distributed by: